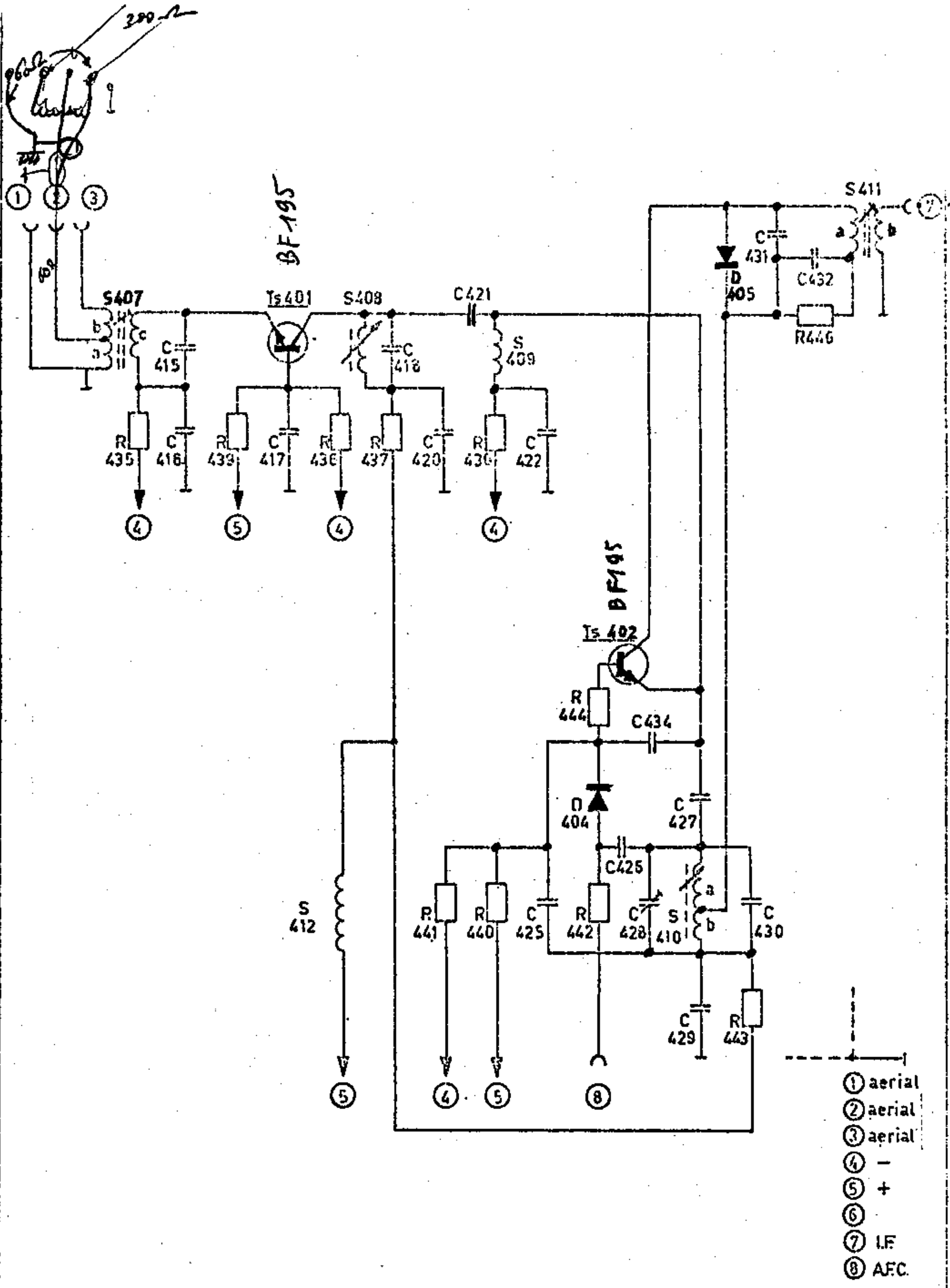


STEREO FM TUNER TYPE : T67

new and def. c.b. (D)

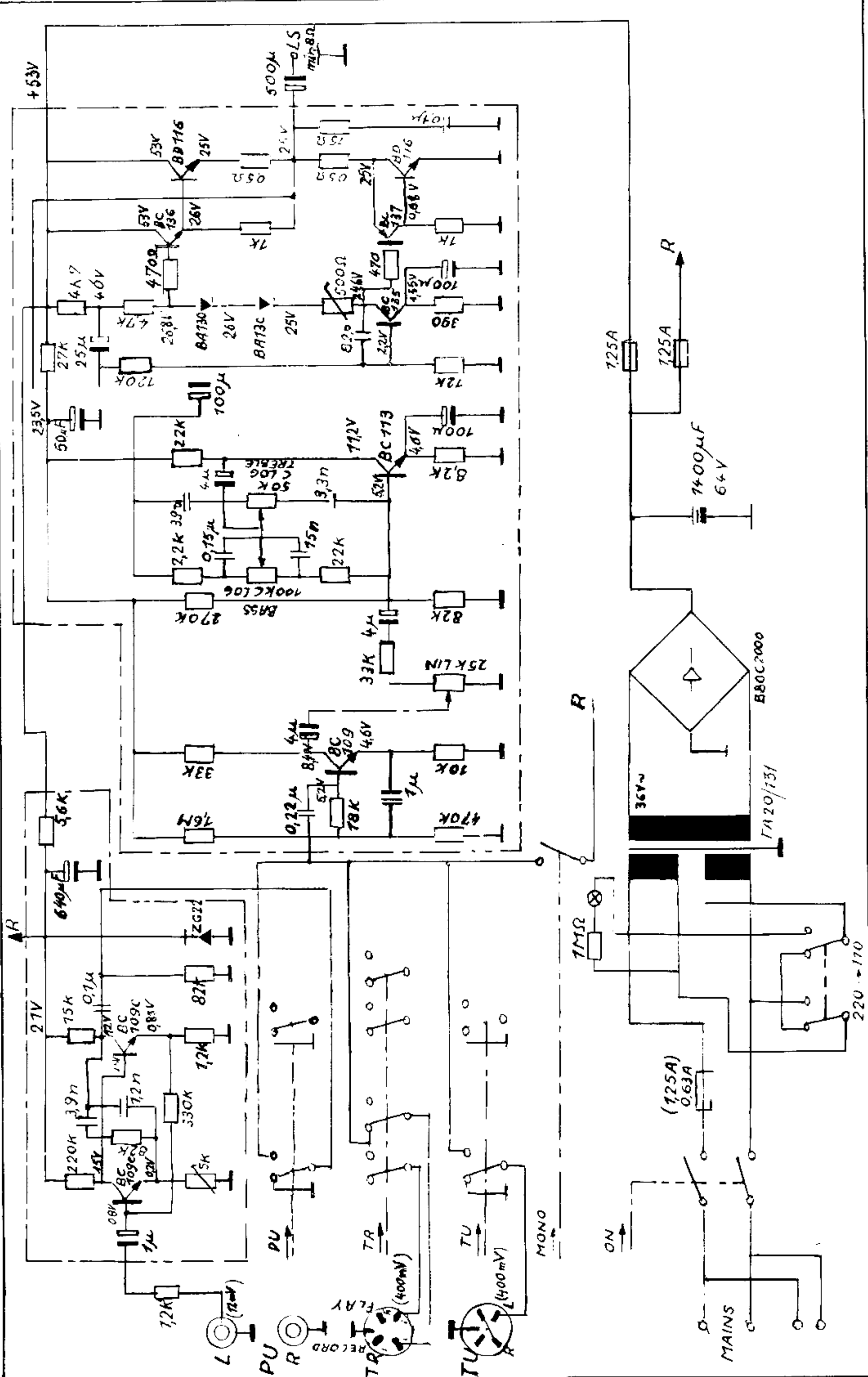


Copyright 1969 by Philips North America Corporation. All rights reserved. Reproduction or translation in any form or by any means without the prior written permission of Philips North America Corporation is prohibited.

- 206
- 480
- 328
- 410
- 145
- 496
- 167
- 278
- 540

4.0.9

<p>20-10-69 RS</p>	<p>UT 431 FM TUNER 87,5-108 Mc/s f osc < f ant ; Vb = 9V</p> <p>Sanders/marijn</p>	<p>def. circuit diagram</p> <p>3122 107 13430</p> <p>1 69-150-1</p>
--------------------	---	---



STEREO AMPLIFIER PAS 64 THORENS 2.000