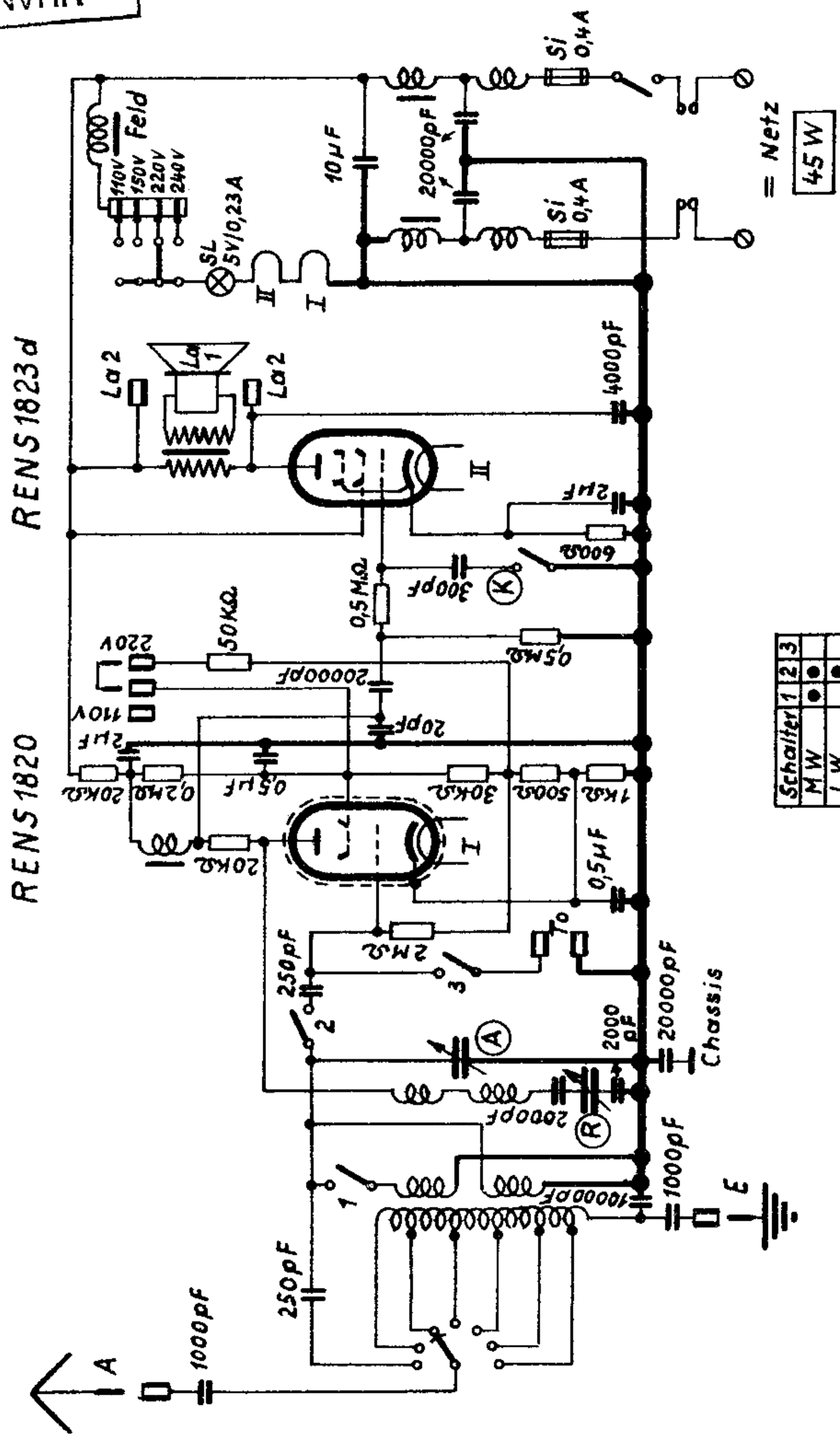


# Lorenz München 33G-133G/Tefag 133G



Schalter	1	2	3
MW	●	●	●
LW	●	●	●
To	●	●	●