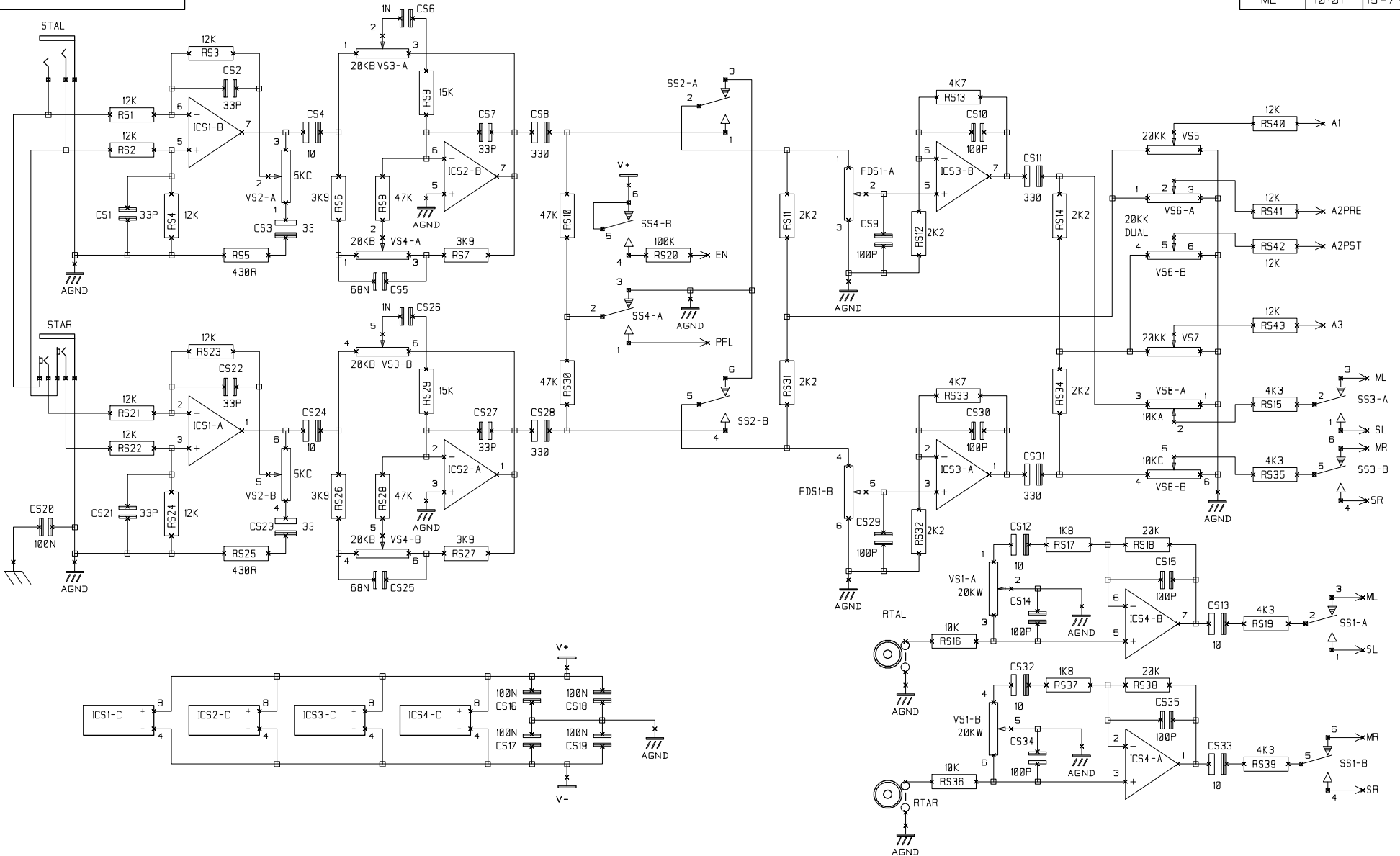


CHANNELS A AND B

NOTES  
 (1) MONO INPUT CHANNELS C TO L STEP AND REPEATED.  
 (2) CA6 NOT FITTED - ALSO CC6,CE6 AND CG6 ARE NOT FITTED ON STEP AND REPEATED CHANNELS.

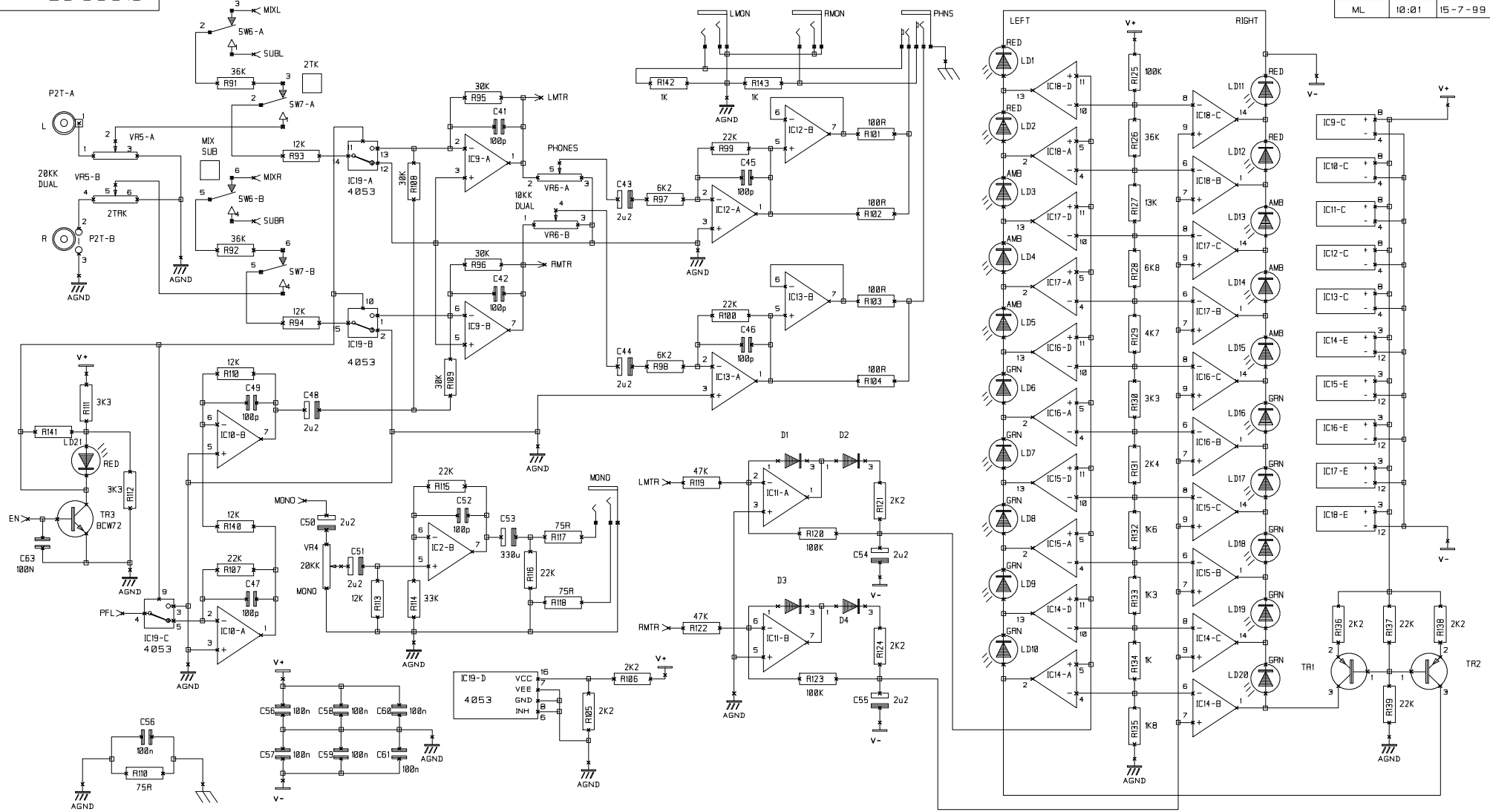
NOTES

DRN.	GHB	TITLE	FOLIO SX MONO INPUT
		DRG NO.	ED 3681A



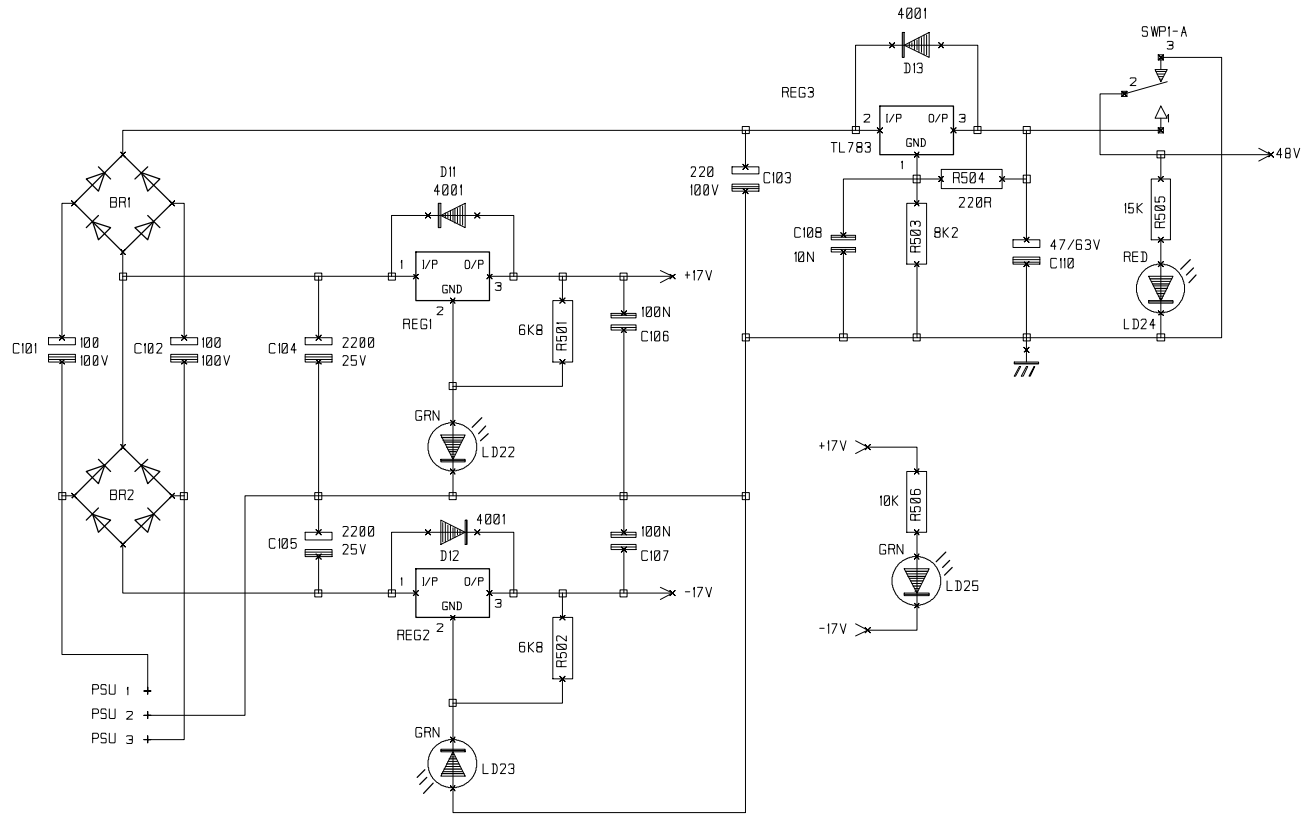
NOTES  
 (1) STEREO INPUT CHANNEL B STEP AND REPEATED.





NOTES

DRN.	GHB	TITLE	FOLIO SX MASTER SECTION B
		DRG NO	ED 3681D



NOTES

DRN  
GHB

TITLE  
FOLIO SX  
PSU  
DRG NO ED 3681E  
SHT. 5 OF 5