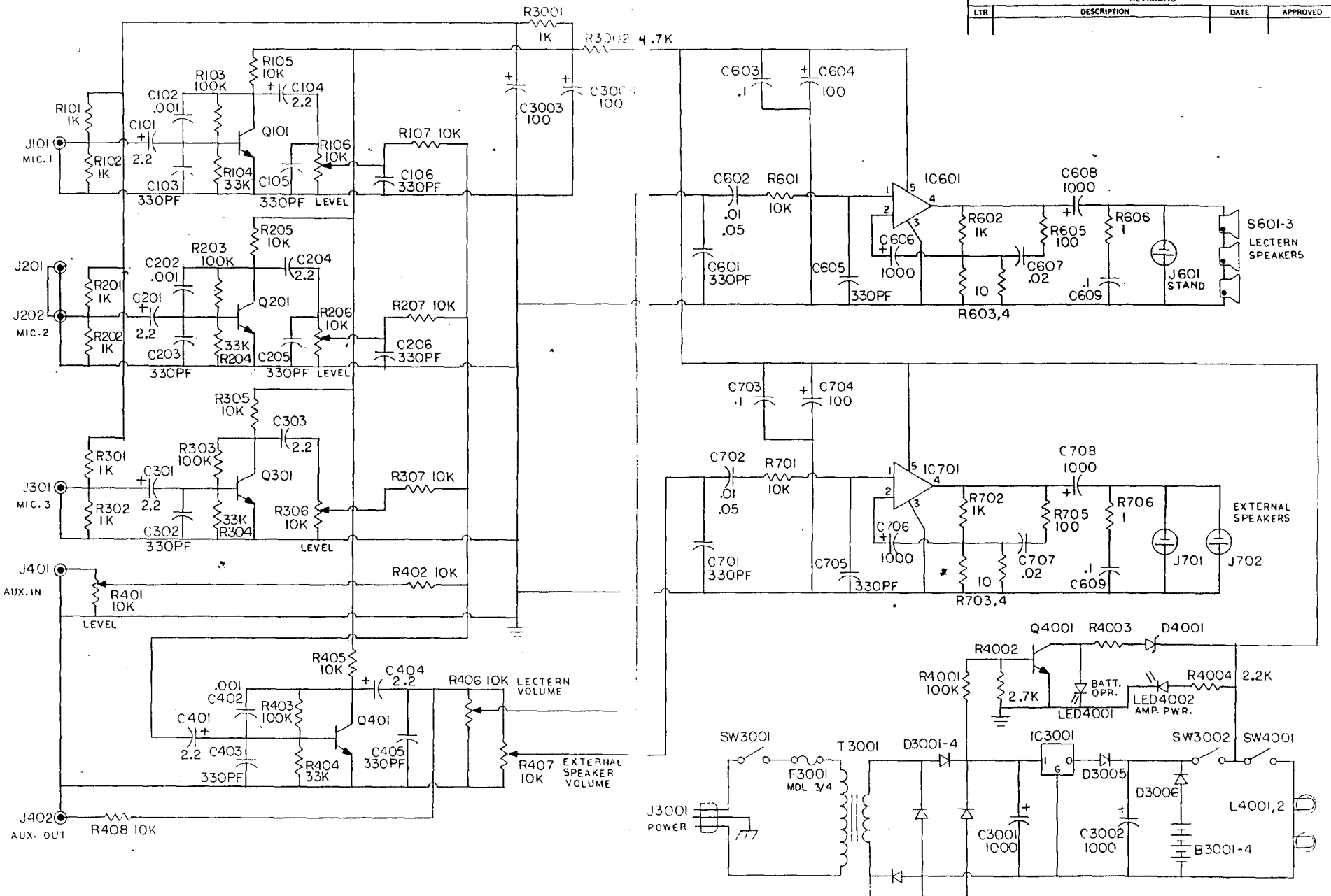


| REVISIONS |             |      |          |
|-----------|-------------|------|----------|
| LTR       | DESCRIPTION | DATE | APPROVED |
|           |             |      |          |



|                                       |     |        |                      |             |  |
|---------------------------------------|-----|--------|----------------------|-------------|--|
| TOLERANCES UNLESS OTHERWISE SPECIFIED |     |        | SM100/200, SA102/202 |             |  |
| FRACTIONS                             | DEC | ANGLES |                      |             |  |
| ±                                     | ±   | ±      |                      |             |  |
| APPROVALS                             |     | DATE   |                      |             |  |
| DRAWN                                 |     |        |                      |             |  |
| CHECKED                               |     | SCALE  | SIZE                 | DRAWING NO. |  |
|                                       |     |        | C                    |             |  |
| DO NOT SCALE DRAWING                  |     |        | SHEET                |             |  |