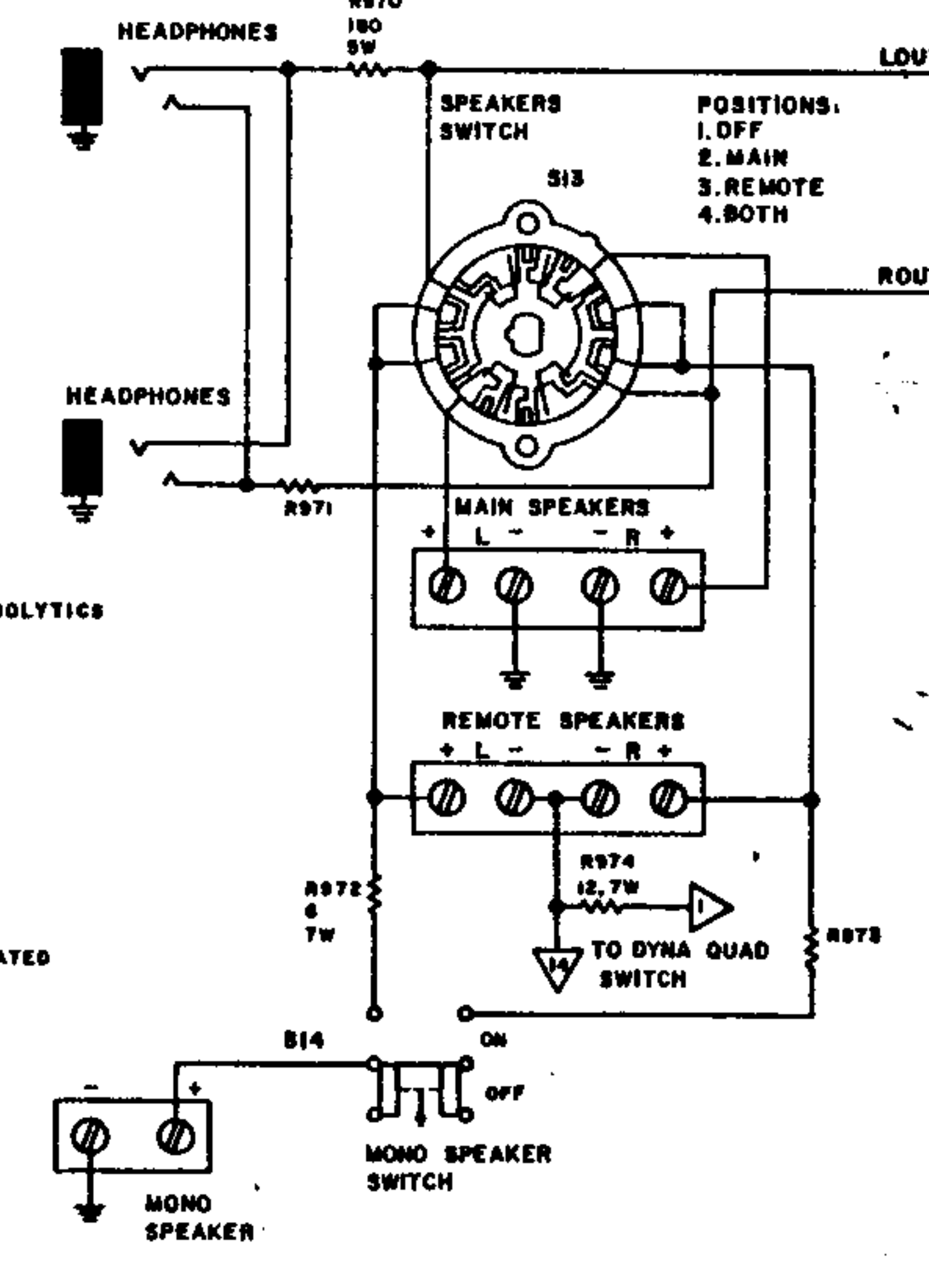
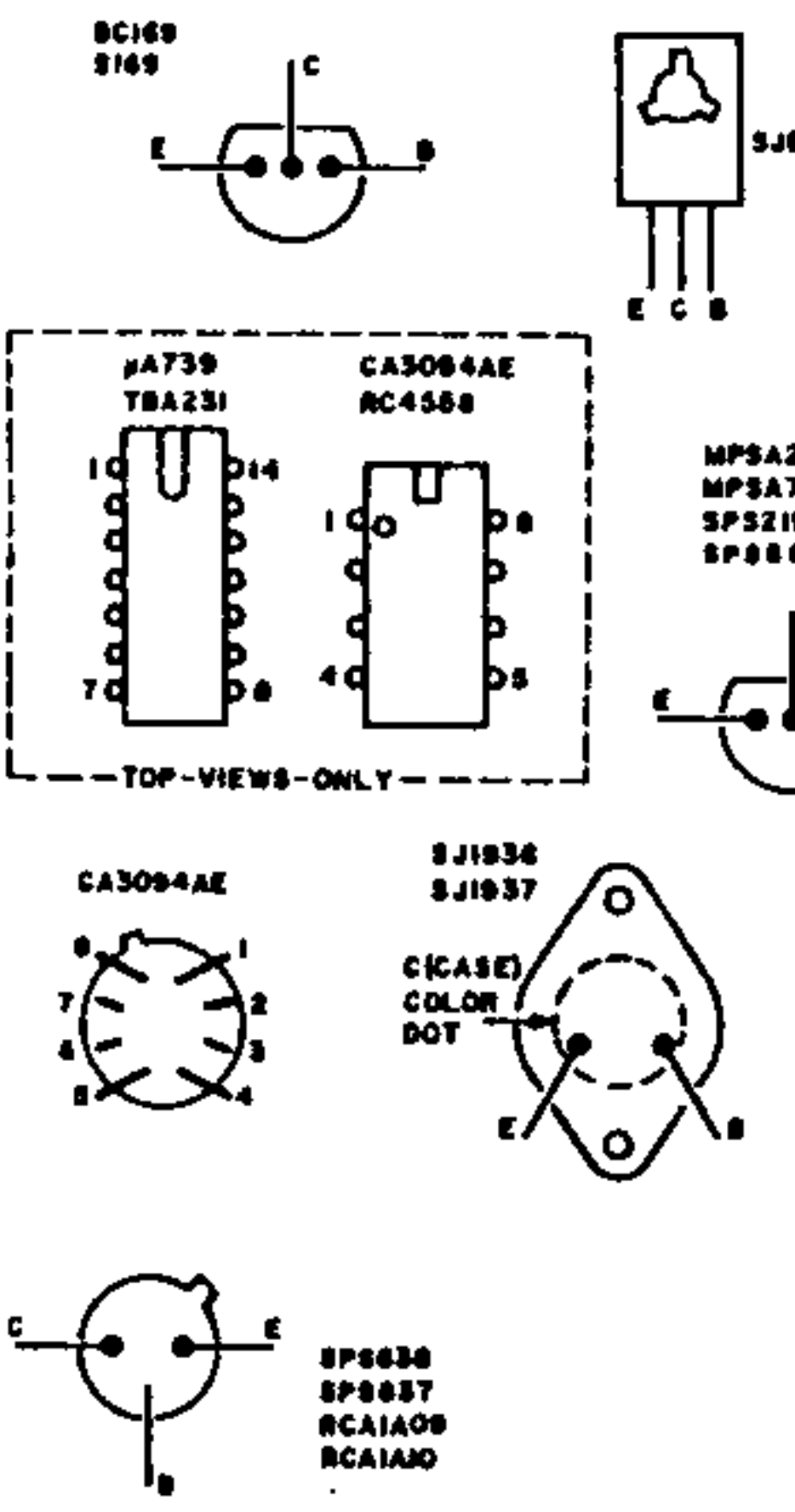
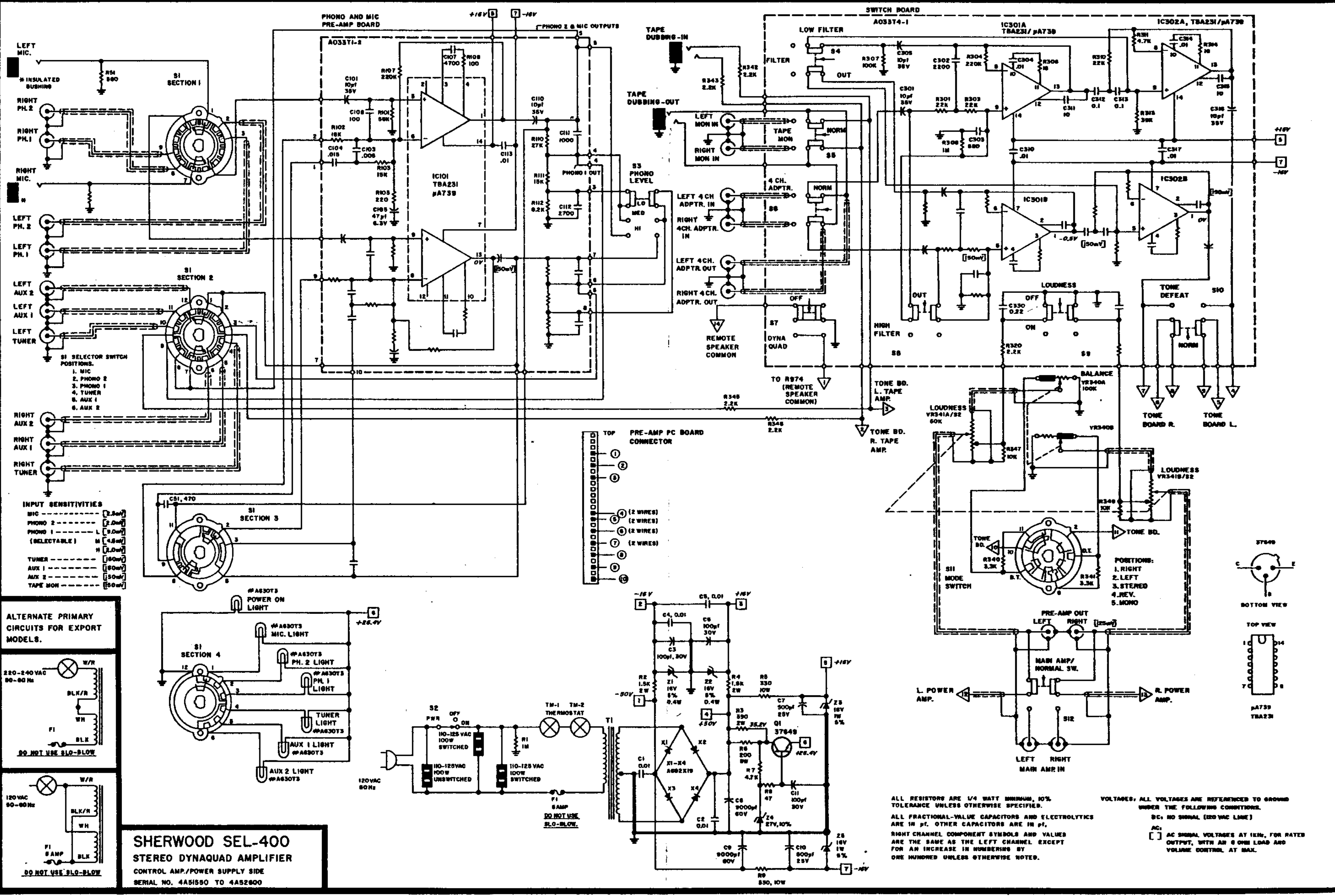


**SHERWOOD SEL-400**  
**STEREO DYNAQUAD AMPLIFIER**  
 POWER AMP. & PROTECTION SIDE  
 SERIAL NO. 4A41681 TO 4A52800

ALL RESISTORS ARE 1/4 WATT MINIMUM, 10% TOLERANCE UNLESS OTHERWISE SPECIFIED.  
 ALL FRACTIONAL-VALUE CAPACITORS AND ELECTROLYTICS ARE IN  $\mu$ F. OTHER CAPACITORS ARE IN pF.  
 RIGHT CHANNEL COMPONENT SYMBOLS AND VALUES ARE THE SAME AS THE LEFT CHANNEL EXCEPT FOR AN INCREASE IN NUMBERING BY ONE HUNDRED UNLESS OTHERWISE NOTED.  
 VOLTAGES: ALL VOLTAGES ARE REFERENCED TO GROUND UNDER THE FOLLOWING CONDITIONS.  
 DC: NO SIGNAL (120VAC LINE)  
 AC: [ ] AC SIGNAL VOLTAGES AT 1KHz, FOR RATED OUTPUT, WITH AN 8 OHM LOAD AND VOLUME CONTROL AT MAX.

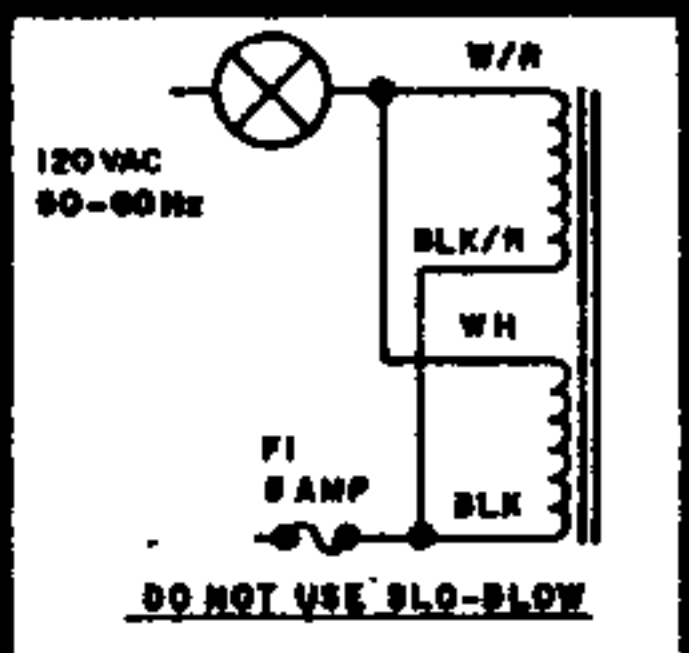
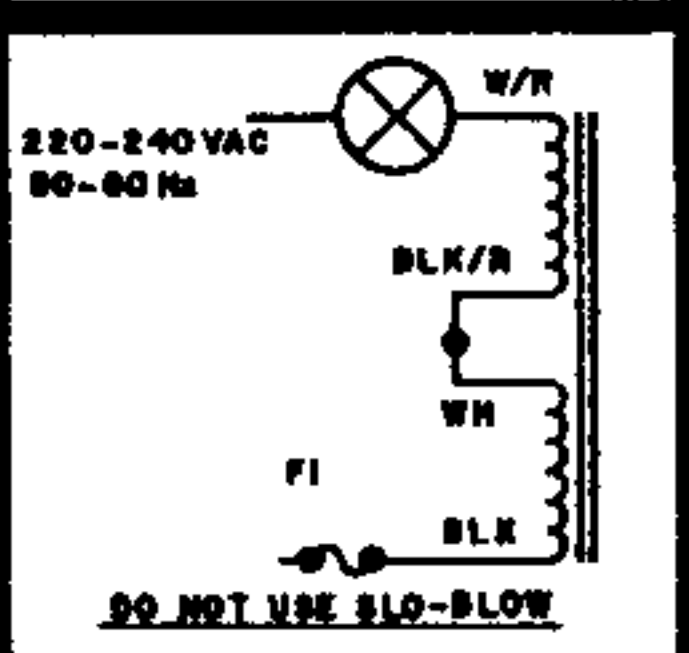




**INPUT SENSITIVITIES**

|                |       |
|----------------|-------|
| MIC            | 2.0mV |
| PHONO 2        | 2.0mV |
| PHONO 1        | 2.0mV |
| (SELECTABLE) M | 4.0mV |
| (SELECTABLE) H | 8.0mV |
| TUNER          | 50mV  |
| AUX 1          | 50mV  |
| AUX 2          | 50mV  |
| TAPE MON       | 50mV  |

**ALTERNATE PRIMARY CIRCUITS FOR EXPORT MODELS.**



**SHERWOOD SEL-400**  
**STEREO DYNAQUAD AMPLIFIER**  
 CONTROL AMP./POWER SUPPLY SIDE  
 SERIAL NO. 4A51580 TO 4A52600

ALL RESISTORS ARE 1/4 WATT MINIMUM, 10% TOLERANCE UNLESS OTHERWISE SPECIFIED.  
 ALL FRACTIONAL-VALUE CAPACITORS AND ELECTROLYTICS ARE IN μF. OTHER CAPACITORS ARE IN pF.  
 RIGHT CHANNEL COMPONENT SYMBOLS AND VALUES ARE THE SAME AS THE LEFT CHANNEL EXCEPT FOR AN INCREASE IN NUMBERING BY ONE HUNDRED UNLESS OTHERWISE NOTED.

VOLTAGES: ALL VOLTAGES ARE REFERENCED TO GROUND UNDER THE FOLLOWING CONDITIONS:  
 DC: NO SIGNAL (120 VAC LINE)  
 AC: AC SIGNAL VOLTAGES AT 1KHz, FOR RATED OUTPUT, WITH AN 8 OHM LOAD AND VOLUME CONTROL AT MAX.