

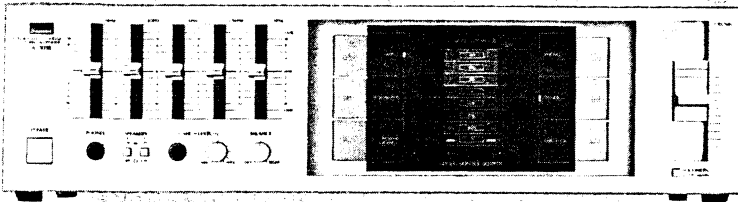
SERVICE MANUAL

INTEGRATED DC SERVO STEREO AMPLIFIER

SANSUI A-1010

(Silver & Black Model)

CLASSIQUE A-1000



CAUTION

1. Parts identified by the \triangle symbol on the schematic diagram and the parts list are critical for safety. Use only replacement parts that have critical characteristics recommended by the manufacturer.
2. Make leakage-current or resistance measurements to determine that exposed parts are acceptably insulated from the supply circuit before returning the appliance to the customer.

•SPECIFICATIONS

Power output

Min. RMS, both channels driven, from 20 to 20,000 Hz,
with no more than 0.05% total harmonic distortion
100 watts per channel into 8 ohms

Load impedance..... 8 ohms

Total harmonic distortion
..... less than 0.05% at or below
rated min. RMS power output

Frequency response (at 1 watt)

..... 5 to 60,000 Hz
+1 dB, -2 dB

RIAA curve deviation (PHONO, 20 Hz to 20 kHz)

..... +0.5 dB, -0.5 dB

Input sensitivity and impedance (1 kHz, for rated power output)

PHONO..... 2.5 mV/47 kilohms

(Max. input capability; 120mV at 1 kHz, less than
0.1% total harmonic distortion)

TUNER, TAPE PLAY.... 150 mV/47 kilohms

MIC..... 0.5 mV/10 kilohms

Output level (1 kHz)

TAPE REC..... 130 mV into 47 kilohms

Signal to noise ratio (short-circuit, A-network)

PHONO..... 75 dB

TUNER, TAPE PLAY.... 100 dB

Power requirements

(A-1010)

Power voltage..... 120/220/240V (50/60 Hz)

For U.S.A. & Canada

..... 120V (60 Hz)

(A-1000)

Power voltage..... 120V (60 Hz)

Power consumption.... 360 watts 450 VA Rated

Dimensions..... 430 mm (16-15/16") W

118 mm (4-11/16") H

245 mm (9-11/16") D

Weight..... 7.2 kg (15.9 lbs.) net

8.0 kg (17.6 lbs.) packed

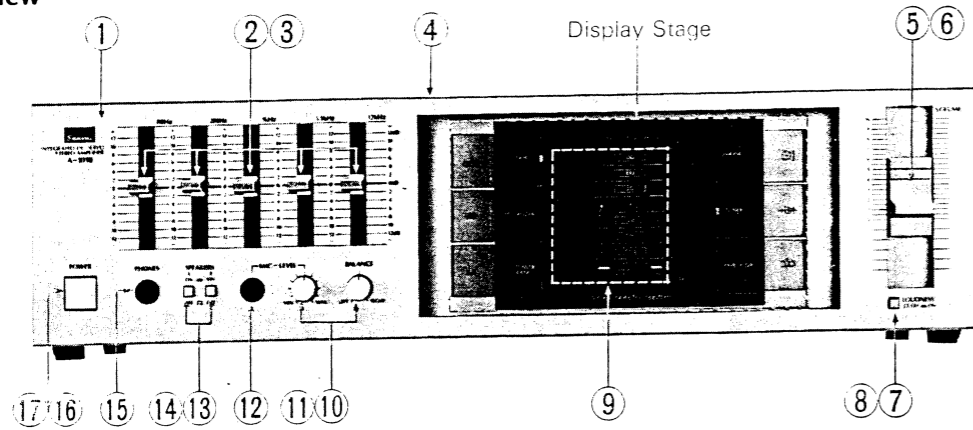
* Design and specifications subject to changes without notice for improvements.

Sansui

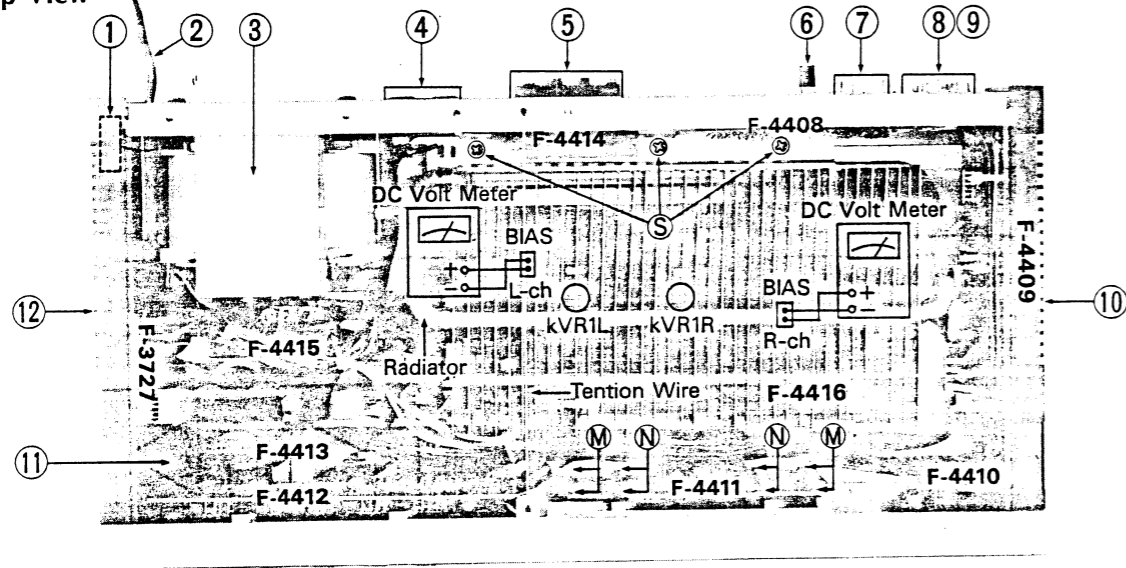
SANSUI ELECTRIC CO., LTD.

3. OTHER PARTS

3-1. Front View



3-2. Top View



Parts List < Front View >

Parts No.	Stock No.	Description
1	47373500	Front Panel (A-1010 Silver Model)
	47373600	Front Panel (A-1010 Black Model)
	47373700	Front Panel (A-1000)
2	47367400	Knob, graphic EQ. 80Hz, 280Hz, 1kHz, 3.5kHz, 12kHz (A-1010 Silver Model)
	47367500	Knob, graphic EQ. 80Hz, 280Hz, 1kHz, 3.5kHz, 12kHz (A-1010 Black Model, A-1000)
3	46862800	Slide V.R., graphic EQ. 80Hz, 280Hz, 1kHz, 3.5kHz, 12kHz
4	07952400	Bonnet
5	47213000	Knob, VOLUME (A-1010 Silver Model)
	47194200	Knob, VOLUME (A-1010 Black Model, A-1000)
6	46395300	150kΩ x 2 V.R., VOLUME
7	07917200	Knob, LOUDNESS (A-1010 Silver Model)
	07917300	Knob, LOUDNESS (A-1010 Black Model, A-1000)
8	46360900	Push SW., LOUDNESS
9	46862300	PEAK POWER METER Ass'y

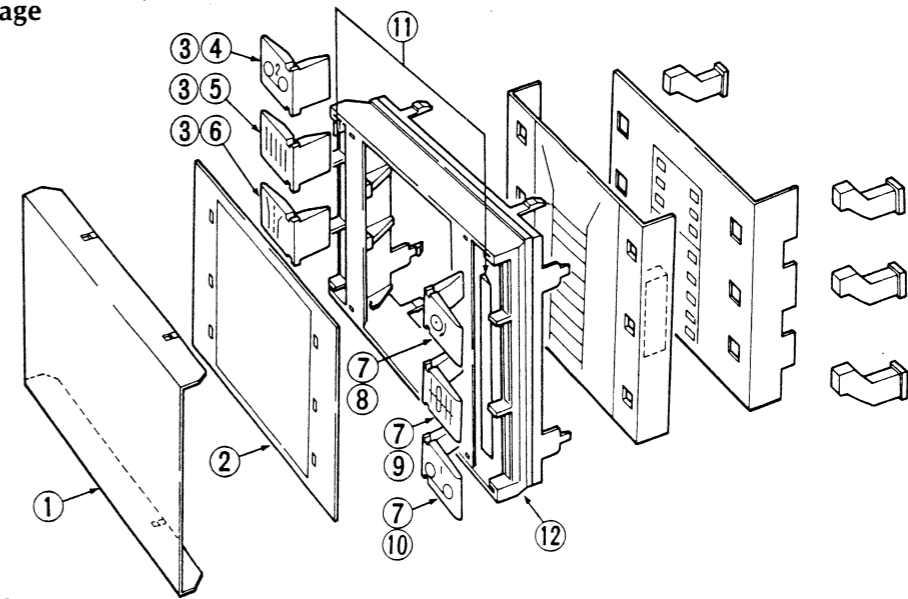
Parts No.	Stock No.	Description
10	07932500	Knob, BALANCE, MIC LEVEL (A-1010 Silver Model)
	47085900	Knob, BALANCE, MIC LEVEL (A-1010 Black Model, A-1000)
11	46862900	20kΩ x 2 and 250kΩ V.R., BALANCE, MIC LEVEL
12	46365100	Jack, MIC
13	47005600	Knob, SPEAKERS (A-1010 Silver Model)
	07917300	Knob, SPEAKERS (A-1010 Black Model, A-1000)
14	46863000	Push SW., SPEAKERS
15	46862700	Jack, PHONES
16	07971210	Knob, POWER (A-1010 Silver Model)
	07911210	Knob, POWER (A-1010 Black Model, A-1000)
△ 17	46546900	Push SW., POWER

Parts List < Top View >

Parts No.	Stock No.	Description
1	07917700	AC Cord Cover
△ 2	38005700	Power Supply Cord (A-1010 XX, UL, A-1000)
	46407700	Power Supply Cord (A-1010 CSA)
△ 3	15014501	Power Transformer (A-1010 XX)
	15014502	Power Transformer (A-1010 UL, A-1000)
	15014503	Power Transformer (A-1010 CSA)
△ 4	46863600	AC OUTLET
5	46364100	8P Push Terminal, SPEAKERS

Parts No.	Stock No.	Description
6	22301510	GND Terminal
7	46862600	2P INPUT Terminal, PHONO
8	46371500	4P Terminal, TUNER, TAPE-1 REC
9	46363900	6P Terminal, TAPE-1 PLAY/DA, TAPE-2
10	47448900	Side Panel Ass'y R
11	07947200	Joint Shaft
12	47448800	Side Panel Ass'y L

3-3. Display Stage



Parts List < Display Stage >

Parts No.	Stock No.	Description
1	47369600	Display Cover
2	47009510	Display Panel (A-1010 Silver Model)
	07954410	Display Panel (A-1010 Black Model, A-1000)
3	46365400	Push SW., TAPE-2, EQUALIZER, POWER RANGE
4	07925810	Knob, TAPE-2
5	47369900	Knob, EQUALIZER
6	47370000	Knob, POWER RANGE

Parts No.	Stock No.	Description
7	46395900	Push SW., PHONO, TUNER, TAPE-
8	07925510	Knob, PHONO
9	07925610	Knob, TUNER
10	07925710	Knob, TAPE-1
11	47071410	Cushion
12	47011500	Display Holder (A-1010 Silver Model)
	07947900	Display Holder (A-1010 Black Model, A-1000)

4. BIAS CURRENT ADJUSTMENT (See Top View left)

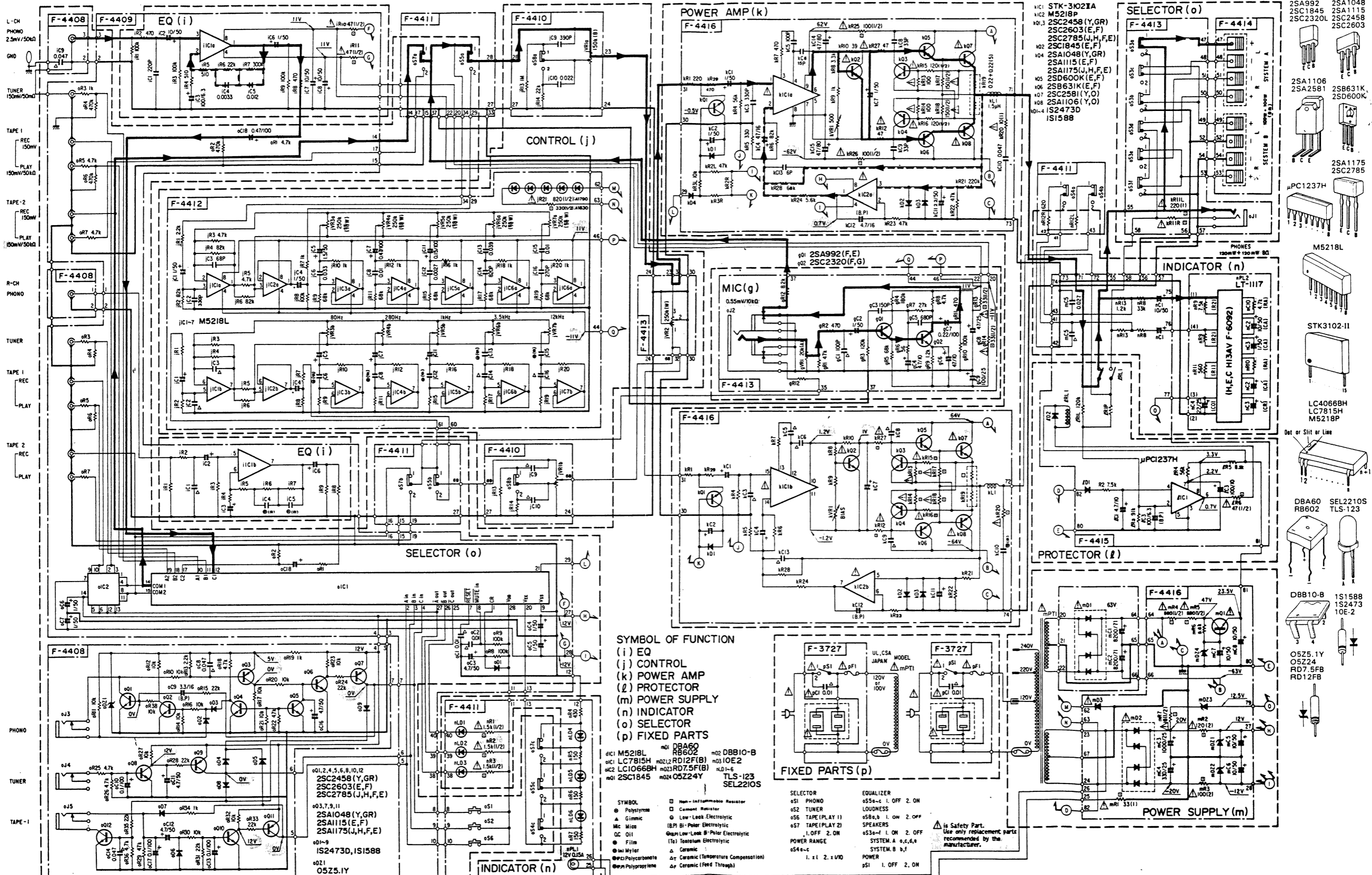
- Note:** 1. Room Temperature 18°C ~ 28°C
 2. For this adjustment, removal of radiator is required, so loosen three screws ⑤.

3. Before turning ON POWER switch, set kVR1 on F-4416 little before center.
 4. For adjustment, run the unit for more than 5 minutes after the power is switched on.

STEP	SUBJECT	MEASURE OUTPUT	ADJUST	ADJUST FOR	REMARKS
1.	L-CH	Connect DC volt meter between BIAS Terminals (L-ch), on F-4416	kVR1 (L-CH) (F-4416)	DC 5mV ± 1mV	This bias current adjustment converts current value into voltage by ohms law. Absolutely , install the radiator after this adjustment.
2.	R-CH	Connect DC volt meter between BIAS Terminals (R-ch), on F-4416	kVR1 (R-CH) (F-4416)	DC 5mV ± 1mV	

7. SCHEMATIC DIAGRAM

*Design and specifications subject to change without notice for improvement.
 *La présentation et les spécifications sont susceptibles d'être modifiées sans préavis par suites d'améliorations éventuelles.
 *Änderungen, die dem technischen Fortschritt dienen, bleiben vorbehalten.



SYMBOL OF FUNCTION
 (i) EQ
 (j) CONTROL
 (k) POWER AMP
 (l) PROTECTOR
 (m) POWER SUPPLY
 (n) INDICATOR
 (o) SELECTOR
 (p) FIXED PARTS

SYMBOL
 ● Polystyrene
 ⊖ Gimmic
 △ Mic
 ○ Oil
 ● Film
 ● Mylar
 ● Polycarbonate
 ● Polypropylene

Non-Inflammable Resistor
 □ Cement Resistor
 □ Low-Leak Electrolytic
 (B.P.) Bi-Polar Electrolytic
 (T) Tantalum Electrolytic
 △ Ceramic
 △ Ceramic (Temperature Compensation)
 △ Ceramic (Feed Through)

DBA60 RB602 DBB10-B IOE2 TLS-123 SEL2105
 #1 M5218L #2 DBA60 #3 DBB10-B #4 IOE2 #5 TLS-123 #6 SEL2105
 #1 LC7815H #2 RD7.5FB #3 RD12FB #4 RD12FB #5 RD12FB #6 RD12FB

SELECTOR
 #51 PHONO
 #52 TUNER
 #56 TAPE (PLAY 1)
 #57 TAPE (PLAY 2)
 #58 TAPE (PLAY 2)
 #59 TAPE (PLAY 2)
 #60 TAPE (PLAY 2)
 #61 TAPE (PLAY 2)
 #62 TAPE (PLAY 2)
 #63 TAPE (PLAY 2)
 #64 TAPE (PLAY 2)
 #65 TAPE (PLAY 2)
 #66 TAPE (PLAY 2)
 #67 TAPE (PLAY 2)
 #68 TAPE (PLAY 2)
 #69 TAPE (PLAY 2)
 #70 TAPE (PLAY 2)
 #71 TAPE (PLAY 2)
 #72 TAPE (PLAY 2)
 #73 TAPE (PLAY 2)
 #74 TAPE (PLAY 2)
 #75 TAPE (PLAY 2)
 #76 TAPE (PLAY 2)
 #77 TAPE (PLAY 2)
 #78 TAPE (PLAY 2)
 #79 TAPE (PLAY 2)
 #80 TAPE (PLAY 2)
 #81 TAPE (PLAY 2)
 #82 TAPE (PLAY 2)

EQUALIZER
 #55-a 1. ON 2. OFF
 #55-b 1. ON 2. OFF
 #55-c 1. ON 2. OFF
 #55-d 1. ON 2. OFF
 #55-e 1. ON 2. OFF
 #55-f 1. ON 2. OFF
 #55-g 1. ON 2. OFF
 #55-h 1. ON 2. OFF
 #55-i 1. ON 2. OFF
 #55-j 1. ON 2. OFF
 #55-k 1. ON 2. OFF
 #55-l 1. ON 2. OFF
 #55-m 1. ON 2. OFF
 #55-n 1. ON 2. OFF
 #55-o 1. ON 2. OFF
 #55-p 1. ON 2. OFF
 #55-q 1. ON 2. OFF
 #55-r 1. ON 2. OFF
 #55-s 1. ON 2. OFF
 #55-t 1. ON 2. OFF
 #55-u 1. ON 2. OFF
 #55-v 1. ON 2. OFF
 #55-w 1. ON 2. OFF
 #55-x 1. ON 2. OFF
 #55-y 1. ON 2. OFF
 #55-z 1. ON 2. OFF

POWER SUPPLY
 #54-a 1. ON 2. OFF
 #54-b 1. ON 2. OFF
 #54-c 1. ON 2. OFF
 #54-d 1. ON 2. OFF
 #54-e 1. ON 2. OFF
 #54-f 1. ON 2. OFF
 #54-g 1. ON 2. OFF
 #54-h 1. ON 2. OFF
 #54-i 1. ON 2. OFF
 #54-j 1. ON 2. OFF
 #54-k 1. ON 2. OFF
 #54-l 1. ON 2. OFF
 #54-m 1. ON 2. OFF
 #54-n 1. ON 2. OFF
 #54-o 1. ON 2. OFF
 #54-p 1. ON 2. OFF
 #54-q 1. ON 2. OFF
 #54-r 1. ON 2. OFF
 #54-s 1. ON 2. OFF
 #54-t 1. ON 2. OFF
 #54-u 1. ON 2. OFF
 #54-v 1. ON 2. OFF
 #54-w 1. ON 2. OFF
 #54-x 1. ON 2. OFF
 #54-y 1. ON 2. OFF
 #54-z 1. ON 2. OFF

INDICATOR
 #51 INDICATOR
 #52 INDICATOR
 #53 INDICATOR
 #54 INDICATOR
 #55 INDICATOR
 #56 INDICATOR
 #57 INDICATOR
 #58 INDICATOR
 #59 INDICATOR
 #60 INDICATOR
 #61 INDICATOR
 #62 INDICATOR
 #63 INDICATOR
 #64 INDICATOR
 #65 INDICATOR
 #66 INDICATOR
 #67 INDICATOR
 #68 INDICATOR
 #69 INDICATOR
 #70 INDICATOR
 #71 INDICATOR
 #72 INDICATOR
 #73 INDICATOR
 #74 INDICATOR
 #75 INDICATOR
 #76 INDICATOR
 #77 INDICATOR
 #78 INDICATOR
 #79 INDICATOR
 #80 INDICATOR
 #81 INDICATOR
 #82 INDICATOR

- 2SA992
- 2SA1048
- 2SC1845
- 2SA1115
- 2SC2320L
- 2SC2458
- 2SC2603
- 2SC2785 (J,H,F,E)
- 2SC1845 (E,F)
- 2SA1048 (Y,GR)
- 2SA1115 (E,F)
- 2SA1175 (J,H,F,E)
- 2SD600K (E,F)
- 2SB631K (E,F)
- 2SC2581 (Y,O)
- 2SA1105 (Y,O)
- IS2473D
- IS1588
- 2SA1106
- 2SA2581
- 2SB631K
- 2SD600K
- 2SA1175
- 2SC2785
- PC1237H
- M5218L
- STK3102-II
- LC4066BH
- LC7815H
- M5218P
- DBA60
- SEL2105
- RB602
- TLS-123
- DBB10-B
- IS1588
- IS2473
- IOE-2
- O525.1Y
- O5224
- RD7.5FB
- RD12FB

— Signal Line
 - - - NFB Line

1
2
3
4
5