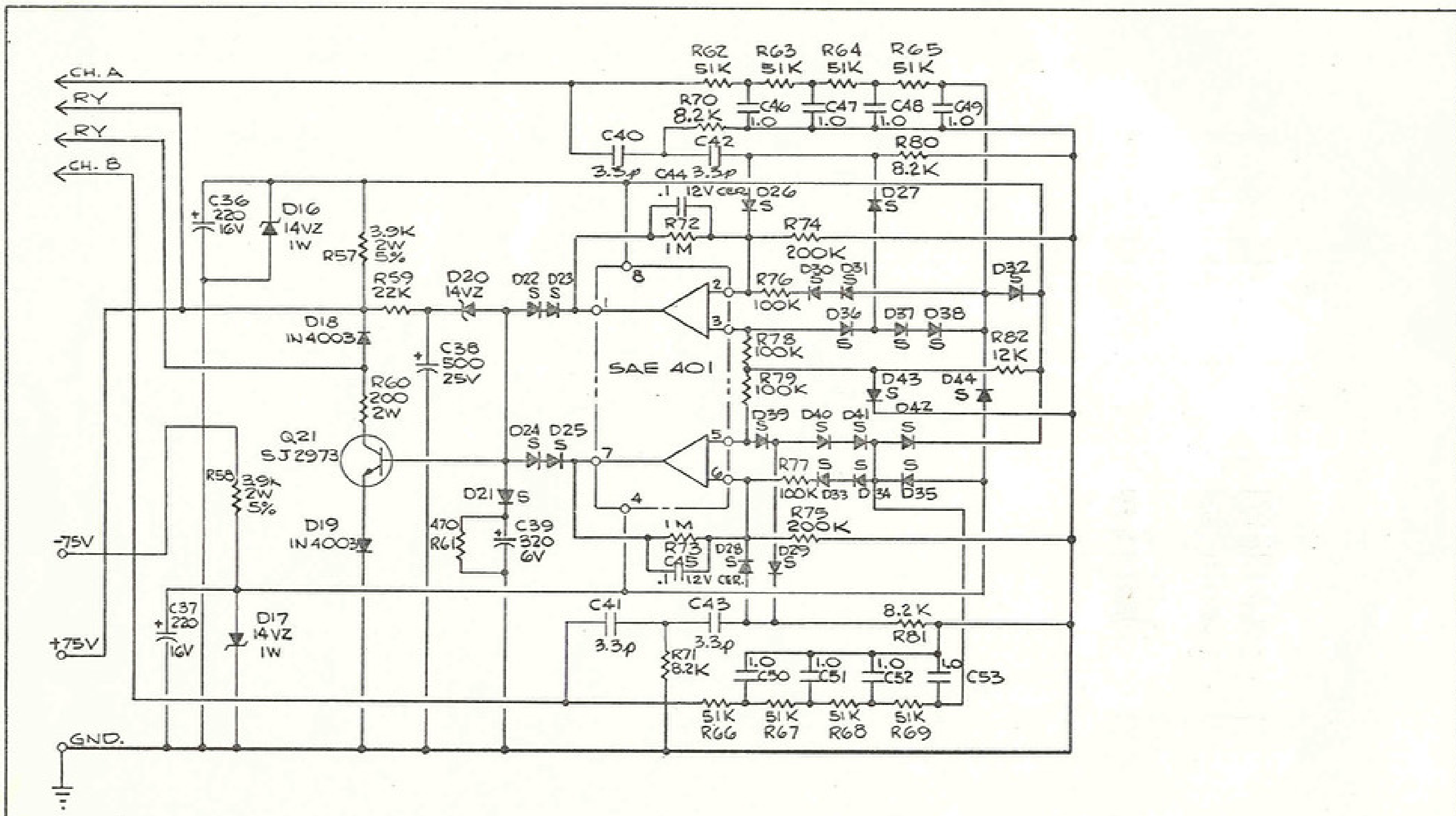


NOTES:
 1. ALL DIODES IN4148/IN914 UNLESS NOTED.
 2. ALL RESISTORS 1/2W, 5% UNLESS NOTED.
 3. * SOME EARLY UNITS HAVE RESISTOR BRIDGED ON BACK OF P.C. BOARD

MK. IIC & MK. IICM POWER AMPLIFIER SCHEMATIC

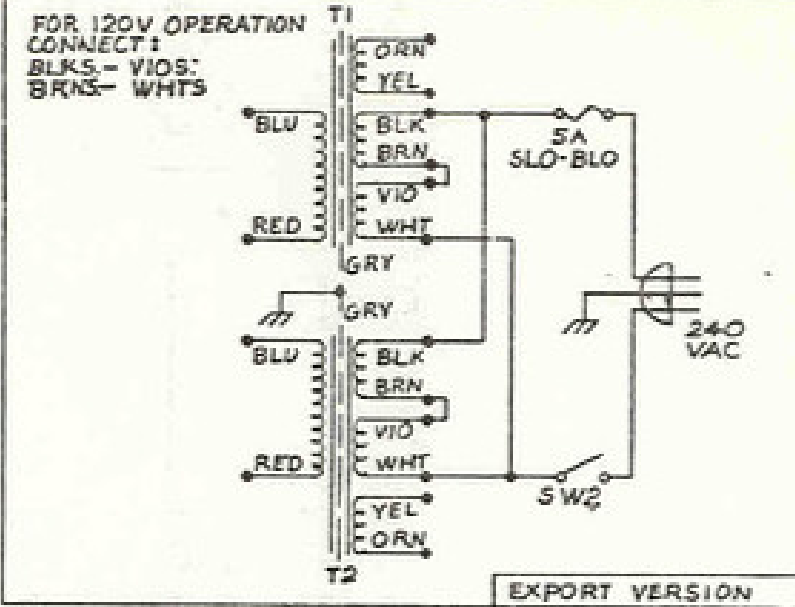
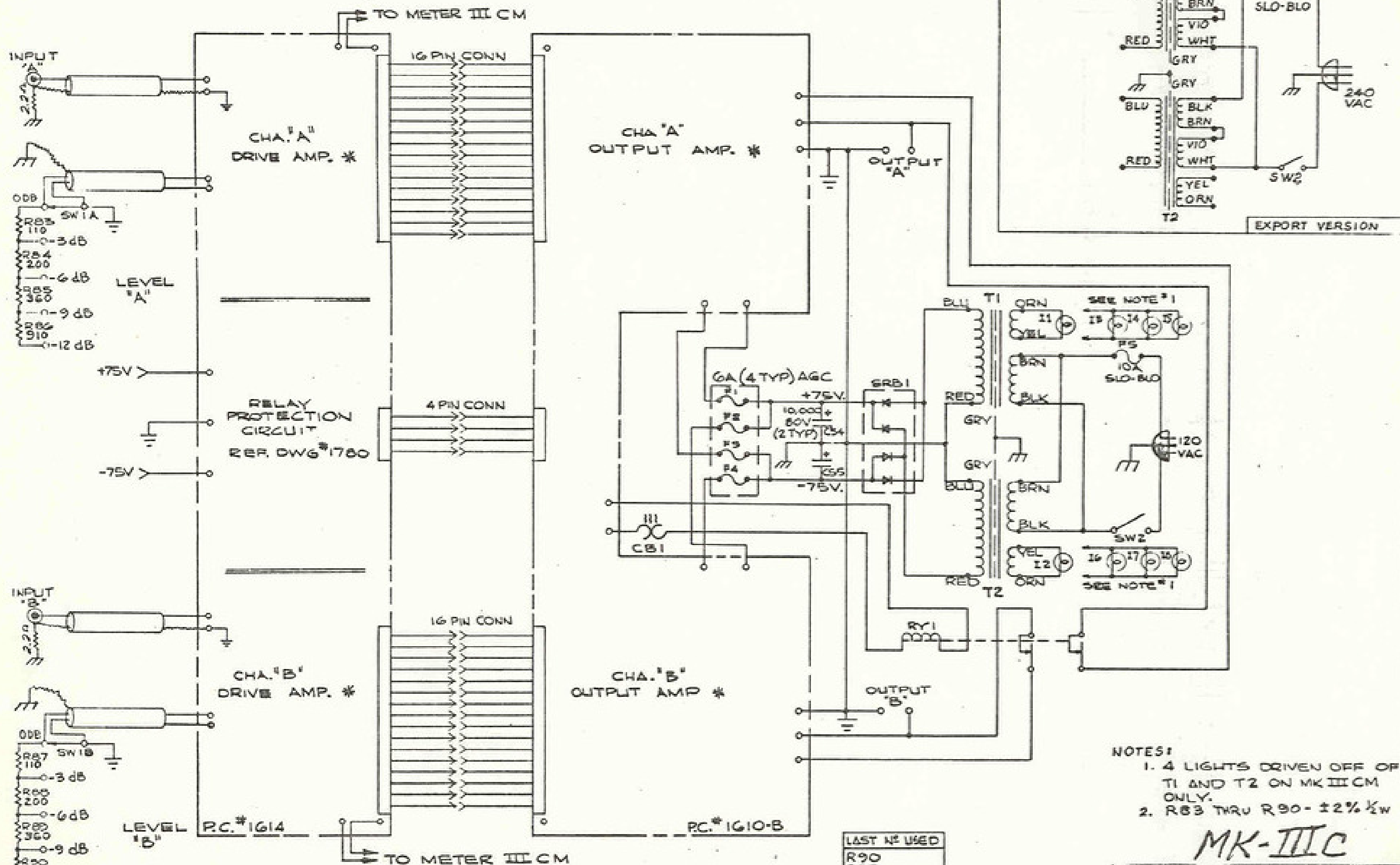
LAST NR USED
R52
L3
C35
D15
F2
Q20

Δ	SAG 111, 212, REPLACES SAE101, 202	*
SM	REVISION	DATE
PART NO.	1817	SCHEMATIC - AMP.
SAE SCIENTIFIC AIRBORNE ELECTRONICS, INC. 401 S. MAIN ST. FT. WORTH, TEXAS 76102 801 S. MAIN ST. LOS ANGELES, CALIF. 90002		
MATERIAL	FORM	
SCALE	DRAWN BY	APPROVED
		USED ON
		DATE
* TO BE COME EFFECTIVE 1-1-74		
	R. J. [Signature]	IIC - M 8-15-73



LAST N ^o USED
R82
C53
Q21
D44

PART NO:	1780	PART NAME:	RELAY PROTECTION CKT.
SAE		SCIENTIFIC AUDIO ELECTRONICS, INC. PO BOX 90271 TECHNICAL ANNEX 601 S. MACY ST. LOS ANGELES, CALIF. 90060	
MATERIAL:	—	FINISH:	—
SCALE:	DRAWN BY:	APPROVED:	USED ON:
—	R. Beck	J. J. Jones	JIC - Cm
			DATE: MAR 22 1973



- NOTES:
1. 4 LIGHTS DRIVEN OFF OF T1 AND T2 ON MK III CM ONLY.
 2. R83 THRU R90 - ±2% 1/2W

MK-III C

LAST N° USED
R90
C55

* REF. DWG. # 1817

PART 1828		BLOCK DIAGRAM	
SAE			
SCIENTIFIC AUDIO ELECTRONICS, INC. P.O. BOX 80871, TERMINAL AREA 801 E. WASH ST. LOS ANGELES, CALIF. 90008			
MATERIAL	DATE	PREP	DATE
SCALE	DRAWN BY	APPROVED	USED ON