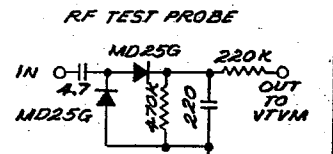
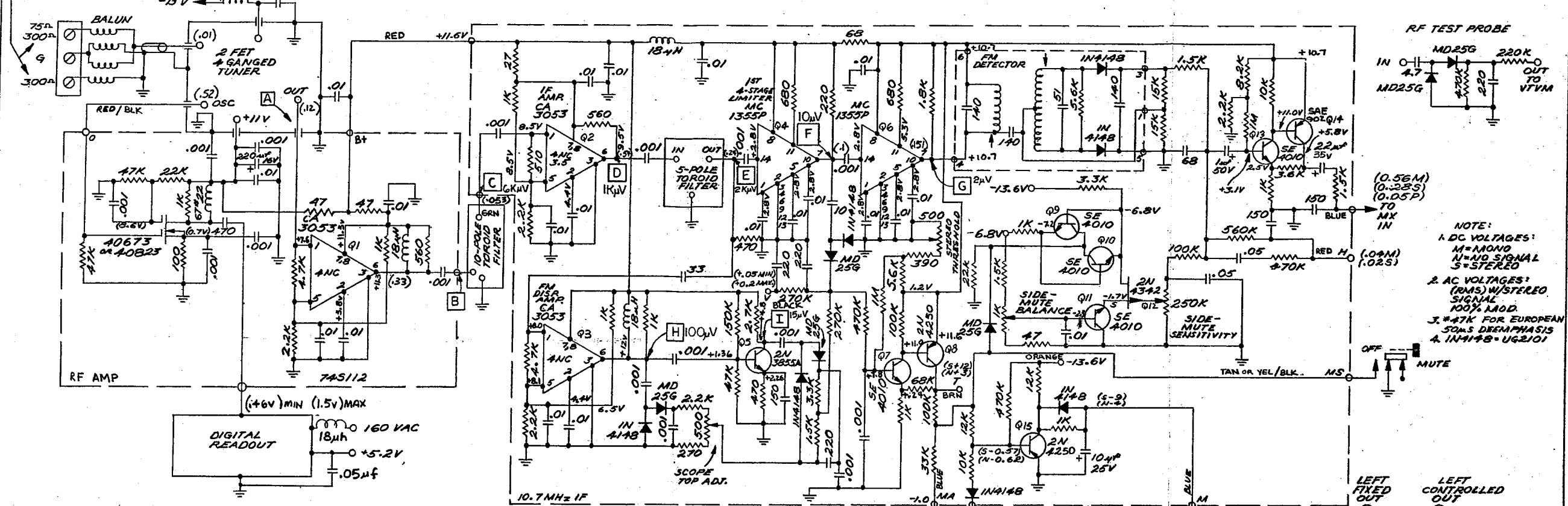
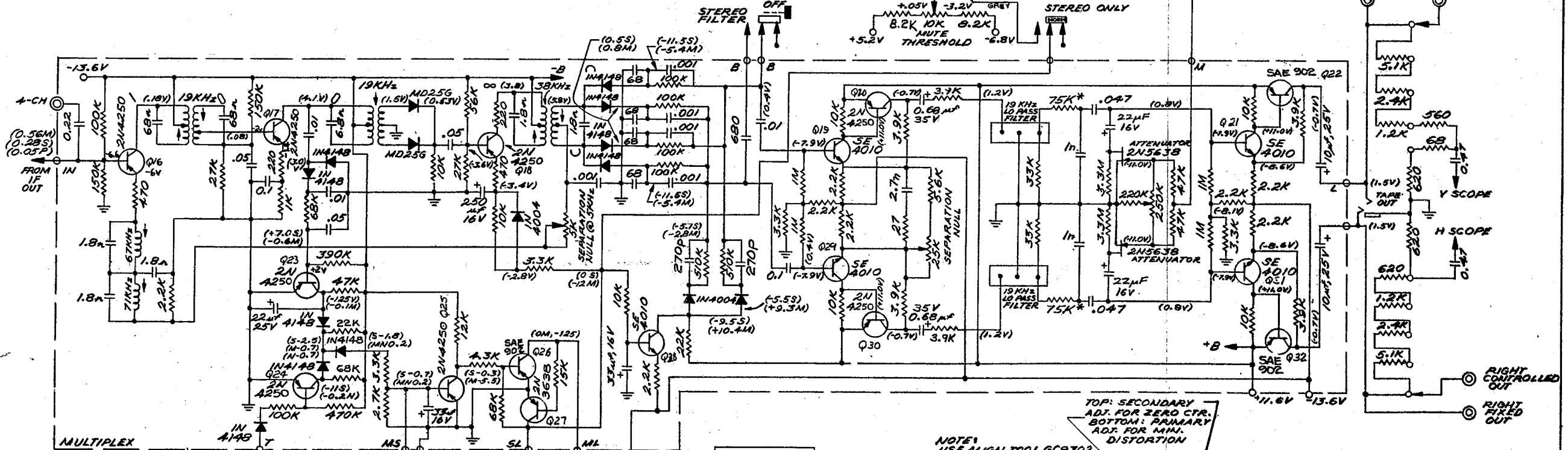


REF. INPUT FOR RMS VOLTAGES IN PARENTHESIS (USING RF TEST PROBE & VTVM)
 15 K μ V @ 90 MHz
 ORANGE 15 μ H

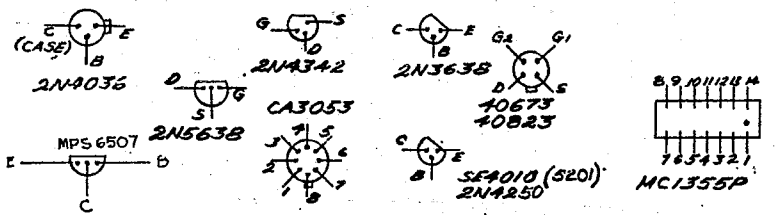


NOTE:
 1. DC VOLTAGES:
 M=MONO
 N=NO SIGNAL
 S=STEREO
 2. AC VOLTAGES:
 (RMS) W/STEREO
 SIGNAL
 100% MOD.
 3. *47K FOR EUROPEAN
 SONS DEMPHASIS
 4. IN4148=UG2101



TOP: SECONDARY
 ADJ. FOR ZERO CTR.
 BOTTOM: PRIMARY
 ADJ. FOR MIN.
 DISTORTION

NOTE 1
 USE ALIGN TOOL GC9302



NOTE: USE ALIGN TOOL GC 9300

A	ECO 168 IF OUTPUT CAP WAS 22 μ F/16V	10-21-74
SYM	REVISION	DATE
SCIENTIFIC AUDIO ELECTRONICS, INC. 701 E. MARY ST. LOS ANGELES, CALIF. 90012		
TOLERANCE UNLESS NOTED	TITLE SCHEMATIC-TUNER MK.II.B	FINISH
SCALE 1:1	DATE	REV