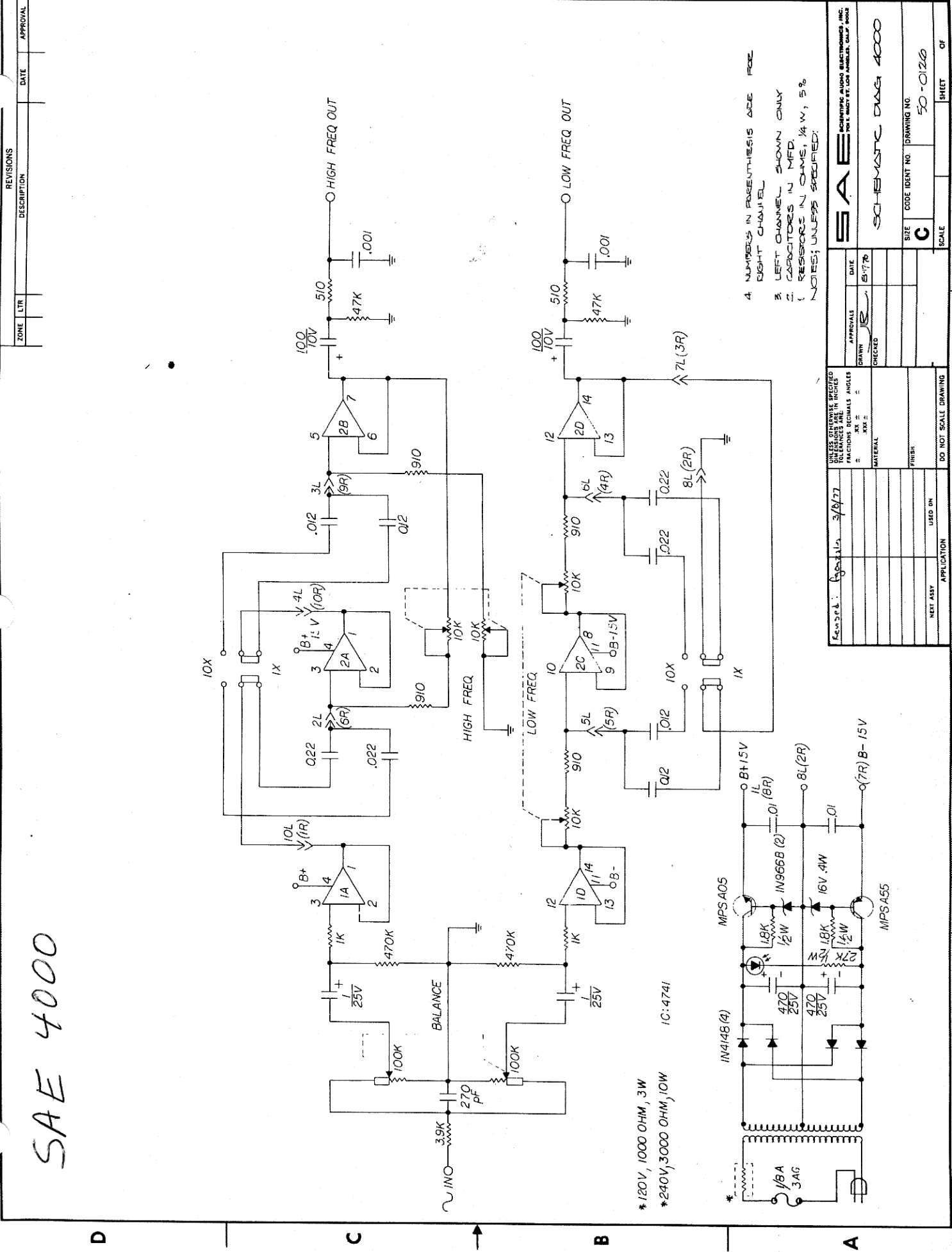


SAE 4000



* 120V, 1000 OHM, 3W
 * 240V, 3000 OHM, 10W
 IC: 4741

- 4 NUMBERS IN PARENTHESIS ARE FOR RIGHT CHANNEL
- 3 LEFT CHANNEL SHOWN ONLY
- 2 CAPACITORS IN MFD.
- 1 RESISTOR IN OHMS, 1/4 W, 5% NOTES; UNLESS SPECIFIED.

APPROVALS		DATE
DRAWN		8-17-76
CHECKED		
DIMENSIONS UNLESS OTHERWISE SPECIFIED ARE IN INCHES FRACTIONS DECIMALS ANGLES XX = XXX = XXXX =		
MATERIAL		
FINISH		
DO NOT SCALE DRAWING		
NEXT ASBY	APPLICATION	USED ON
SAE		SCHEMATIC DIAG 4000
SIZE	CODE IDENT NO.	DRAWING NO.
C		50-0126
SCALE	SHEET	OF
		1

4 3 2 1

1 2 3 4