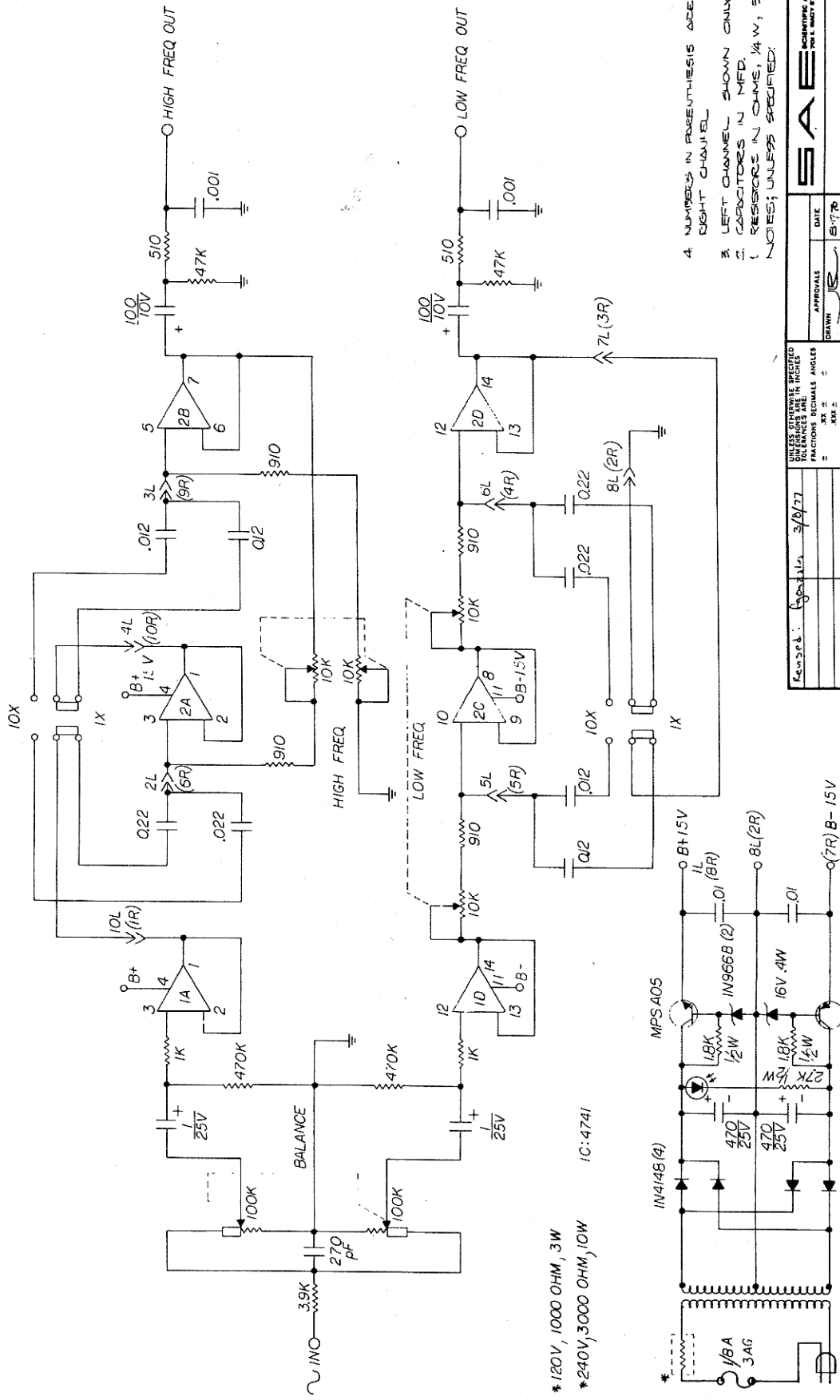


ZONE	LTR	DESCRIPTION	DATE	APPROVAL

SAE 4000



- 4 NUMBERS IN PARENTHESIS ARE FOR RIGHT CHANNEL
- 3 LEFT CHANNEL SHOWN ONLY
- 2 CAPACITORS IN MFD.
- 1 RESISTOR IN OHMS, 1/4 W, 5% NOTES; UNLESS SPECIFIED

REVISIONS	DATE	APPROVAL

APPROVALS	DATE

DESIGNED BY	DATE

CHECKED	DATE

SAE	SHEET	OF

SIZE	CODE IDENT NO.	DRAWING NO.
C		50-0126

SCALE

DO NOT SCALE DRAWING

NEXT ASSY	APPLICATION	USED ON

FINISH

MATERIAL

UNLESS OTHERWISE SPECIFIED DIMENSIONS ARE IN INCHES
FRACTIONS: DECIMALS ANGLES
X 1/2 = 0.5

SCHEMATIC DIAG 4000