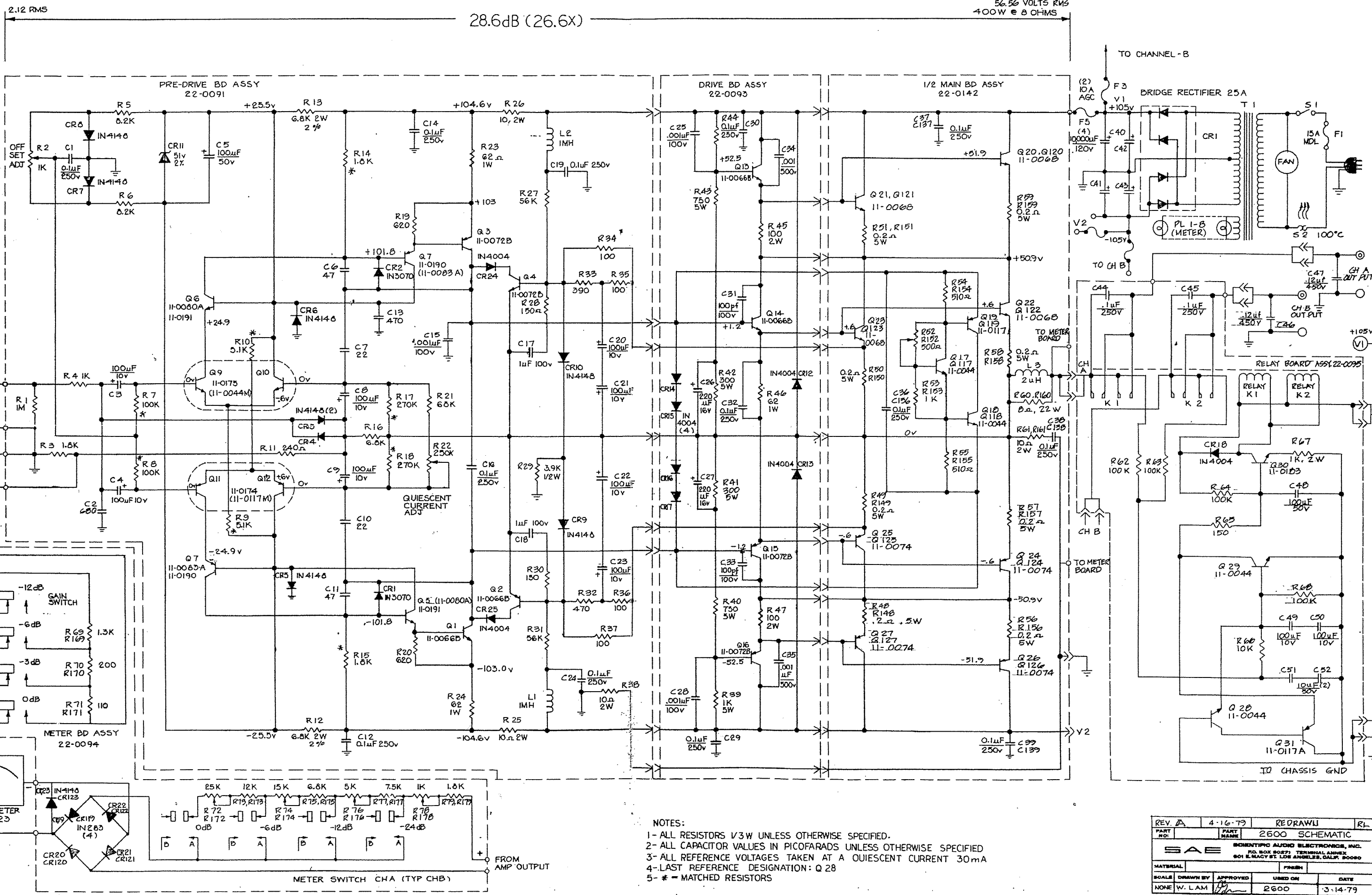


CHANNEL-A ONLY



28.9dB (26.6X)

56.56 VOLTS RMS
400W @ 8 OHMS

- NOTES:
- 1- ALL RESISTORS 1/3W UNLESS OTHERWISE SPECIFIED.
 - 2- ALL CAPACITOR VALUES IN PICOFARADS UNLESS OTHERWISE SPECIFIED
 - 3- ALL REFERENCE VOLTAGES TAKEN AT A QUIESCENT CURRENT 30mA
 - 4- LAST REFERENCE DESIGNATION: Q 28
 - 5- * = MATCHED RESISTORS

REV. A	4-16-79	REDRAWN	RL
PART NO:	2600 SCHEMATIC		
SAE SCIENTIFIC ALPHACOR ELECTRONICS, INC.			
P.O. BOX 80577, TERMINAL ANNEX, 601 E. PACIFIC ST., LOS ANGELES, CALIF. 90008			
MATERIAL	DESIGN	DATE	SCALE
NONE	W. LAM	2600	3-14-79