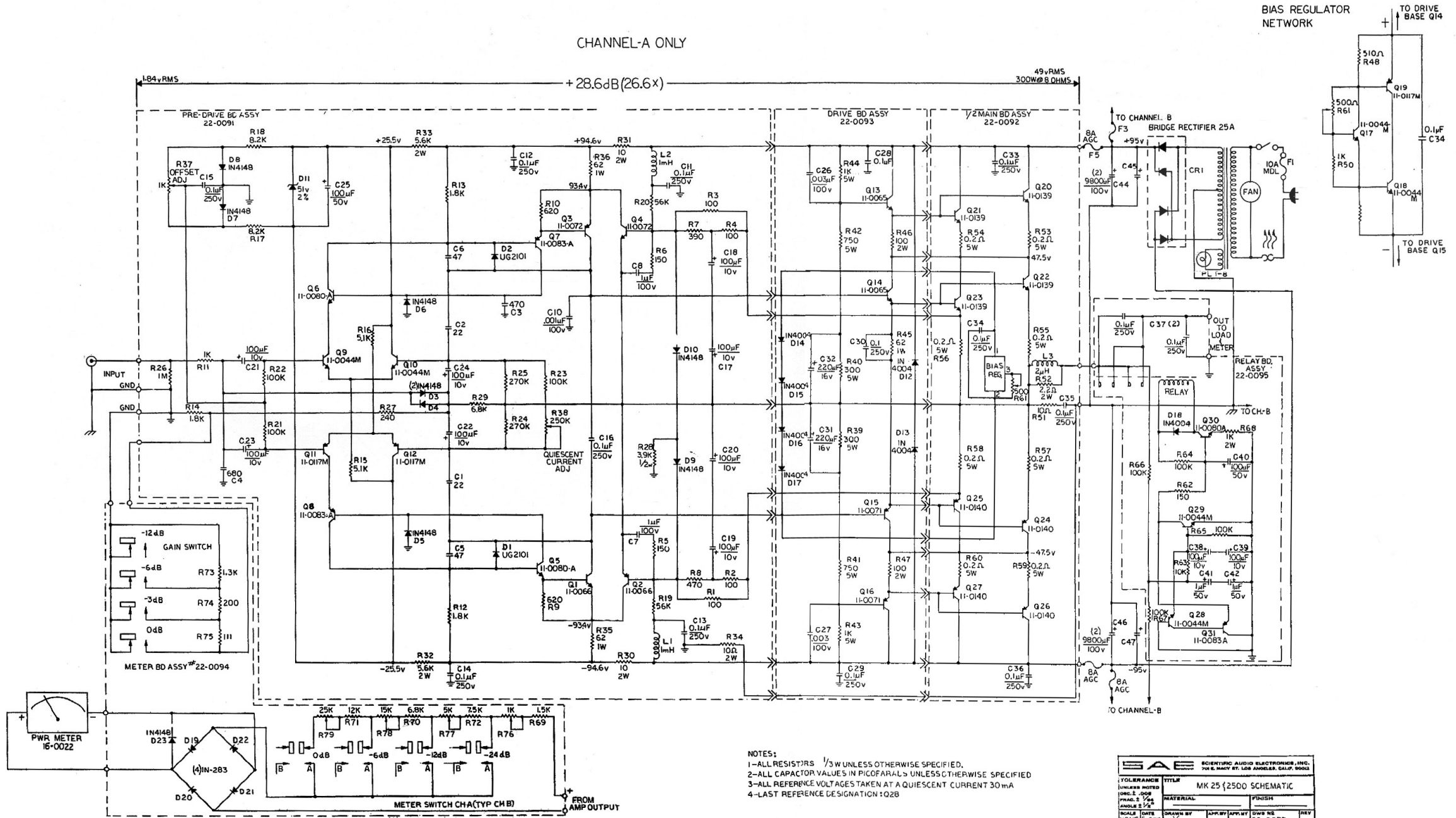


CHANNEL-A ONLY



- NOTES:  
 1-ALL RESISTORS 1/3W UNLESS OTHERWISE SPECIFIED.  
 2-ALL CAPACITOR VALUES IN PICO FARADS UNLESS OTHERWISE SPECIFIED  
 3-ALL REFERENCE VOLTAGES TAKEN AT A QUIESCENT CURRENT 30 mA  
 4-LAST REFERENCE DESIGNATION: Q28

|              |          |   |         |
|--------------|----------|---|---------|
|              |          | SCIENTIFIC AUDIO ELECTRONICS, INC.<br>706 E. MAIN ST. LOS ANGELES, CALIF. 90001 |         |
| TOLERANCE    | TITLE    | MK 25 {2500 SCHEMATIC   |         |
| UNLESS NOTED | MATERIAL | FINISH  |         |
| ORC ± .008   |          |   |         |
| FRAG ± 1/64  |          |   |         |
| ANGLE 1/4"   |          |   |         |
| SCALE        | DATE     | DRAWN BY  | APP. BY |
| NONE         | 5-276    | W   | 30-0073 |