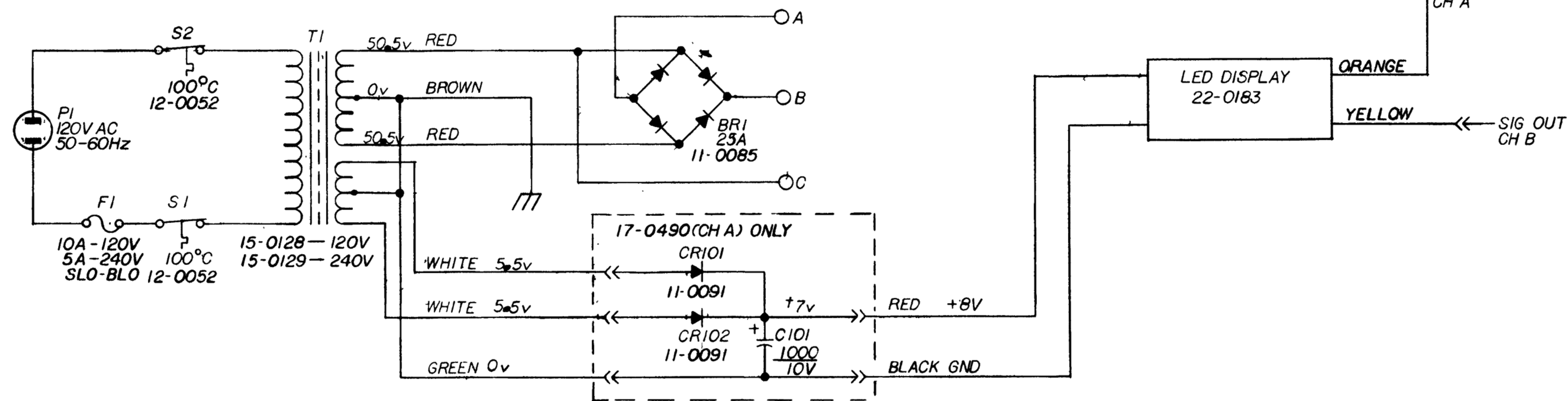
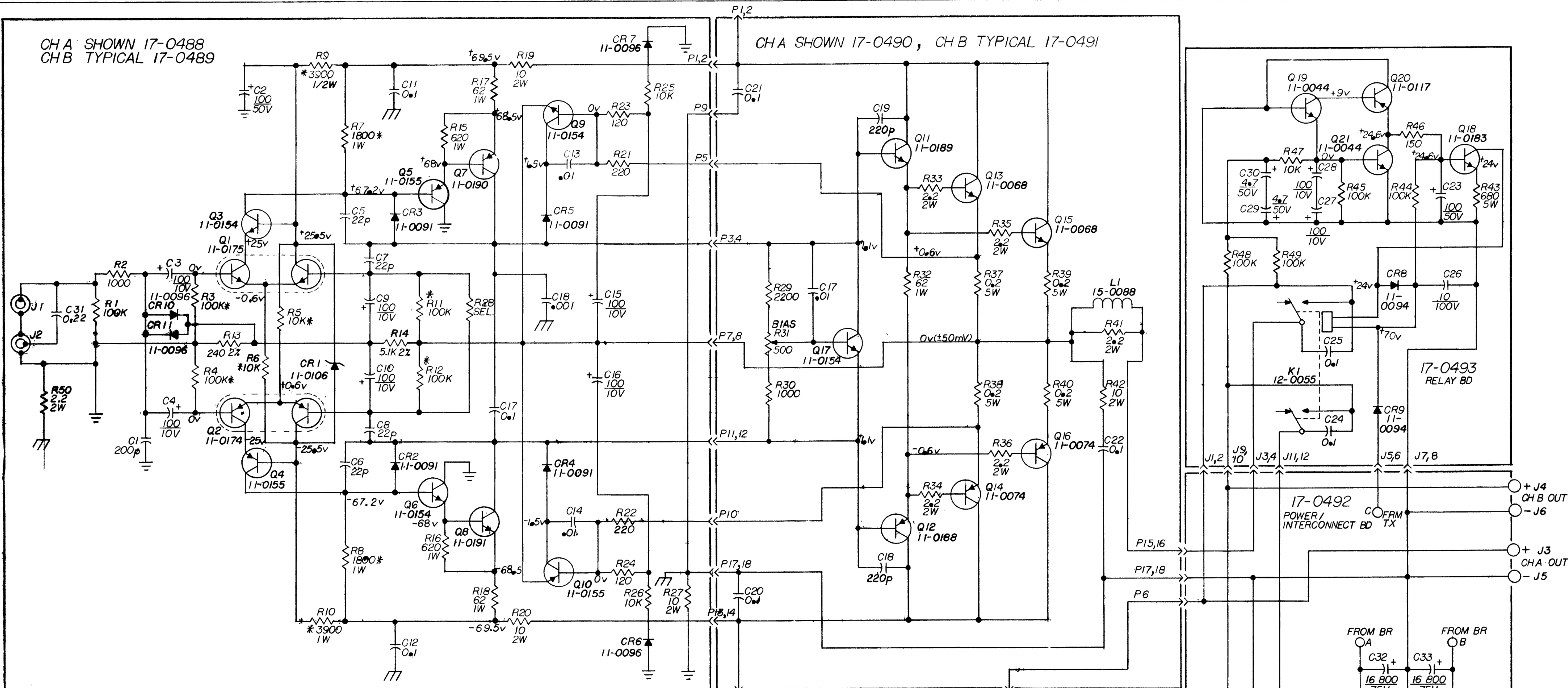


CH A SHOWN 17-0488
CH B TYPICAL 17-0489

CH A SHOWN 17-0490, CH B TYPICAL 17-0491



4. * = MATCHED RESISTERS
3. 1/2W, 1W, 2W RESISTORS ARE METAL OXIDE.
2. CAPACITORS IN μ F.
1. RESISTORS IN OHMS, 1/4W, 5%.

A	ECO 290 & ECO 291	2/1/77
REV	DES	DATE
REVISIONS		
CONTRACT NO.		
APPROVALS	DATE	
DRAWN	2/15/77	
CHECKED	2/15/77	
SCHAFFNER		
SCHEMATIC, 2300 POWER AMPLIFIER		
SIZE	CODE IDENT NO.	DRAWING NO.
C		
SCALE 1:1	SHEET 1 OF 1	