



SERVICE BULLETIN

Model: 2300 Stereo Power Amplifier

Serial Numbers: 01000 thru 01250

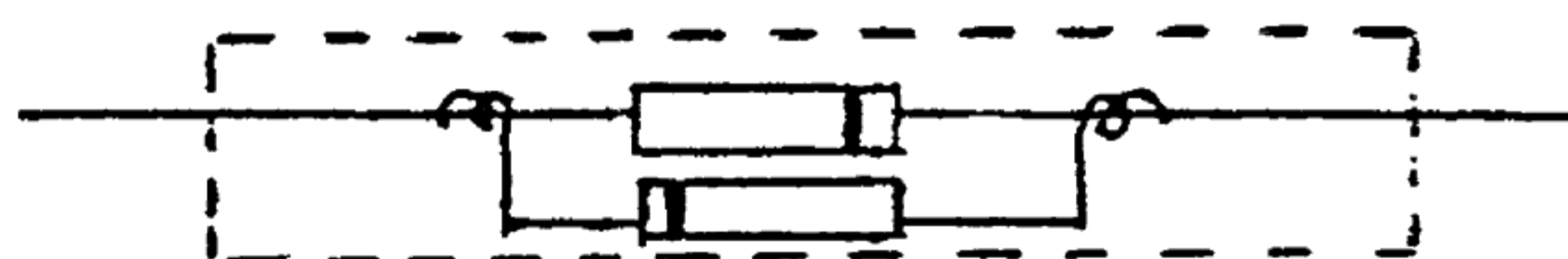
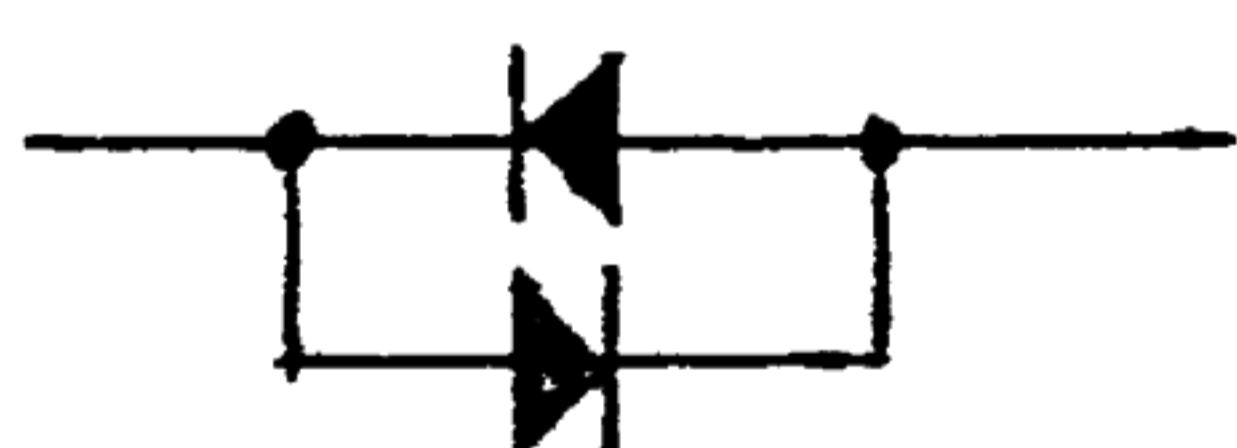
Problem: Possible damage to input differential amplifier transistors from high level input signals (overload condition) in turn causing output transistor failure.

Solution: All units being serviced should be modified by installing input protection diodes.

Parts Required: 4 each 11-0096 diode, 1N4148
3 inch length, 21-0170, sleeving, heat shrinkable

Procedure:

1. Remove unit top and side covers. Examine foil side of left and right channel drive boards. Diodes will be added to foil side on both boards and may already be in place.
2. Fabricate a diode assembly by connecting two diodes back-to-back in parallel, solder the leads together, cover the diodes and leads with shrink sleeving exposing 1/8" lead at each end then shrink the sleeving with heat from the heat gun. Use minimal amount of heat to prevent junction damage.



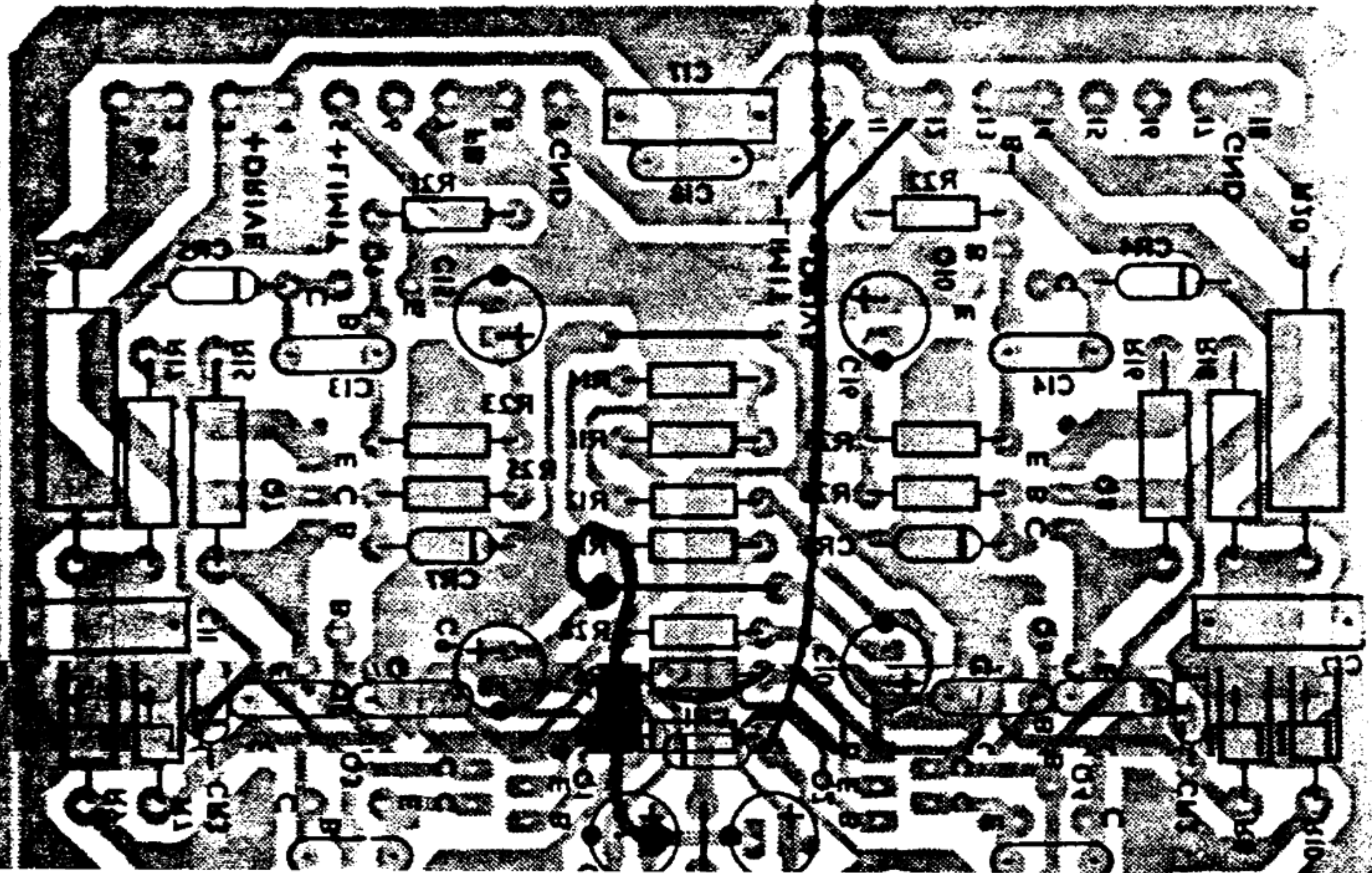
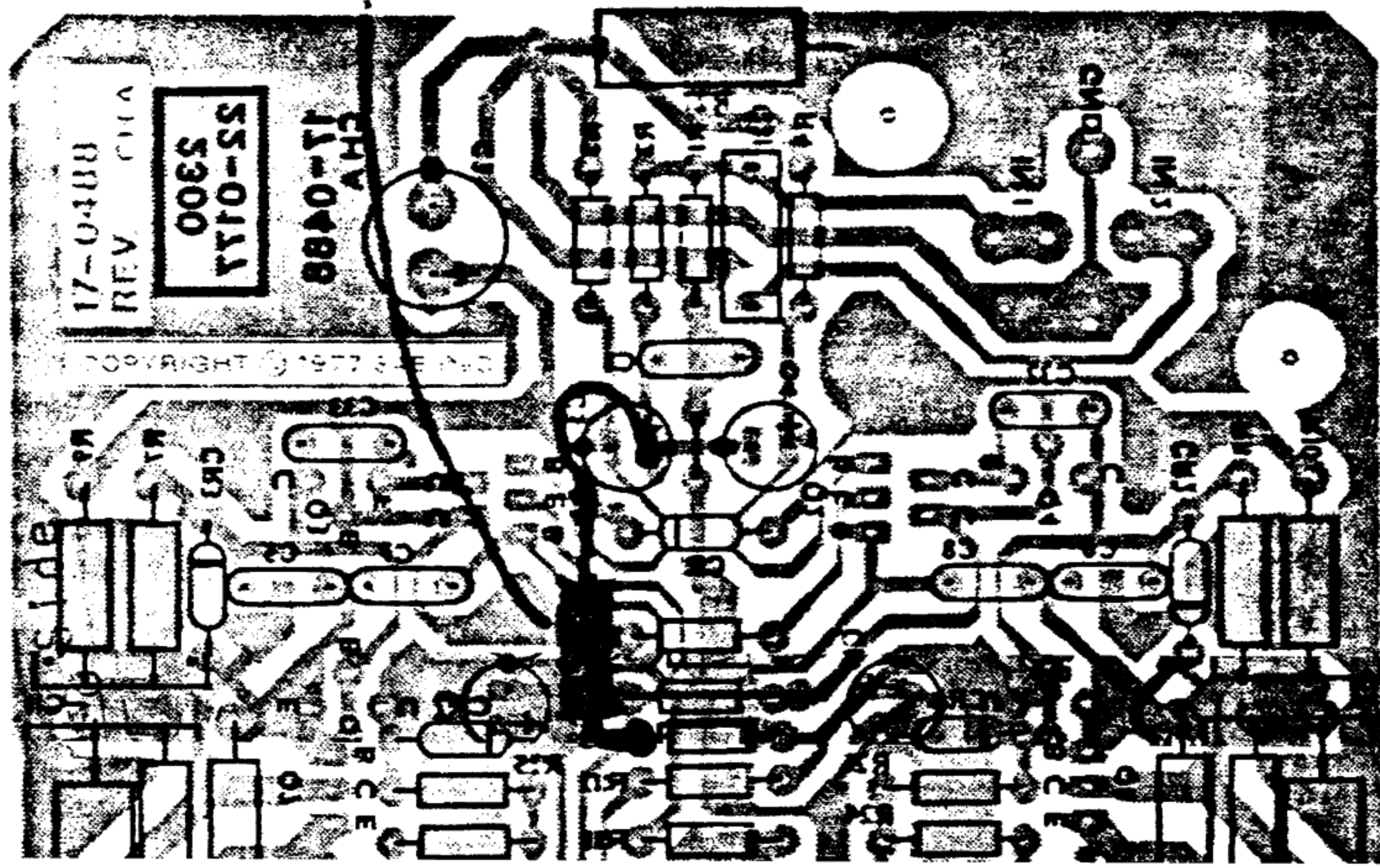
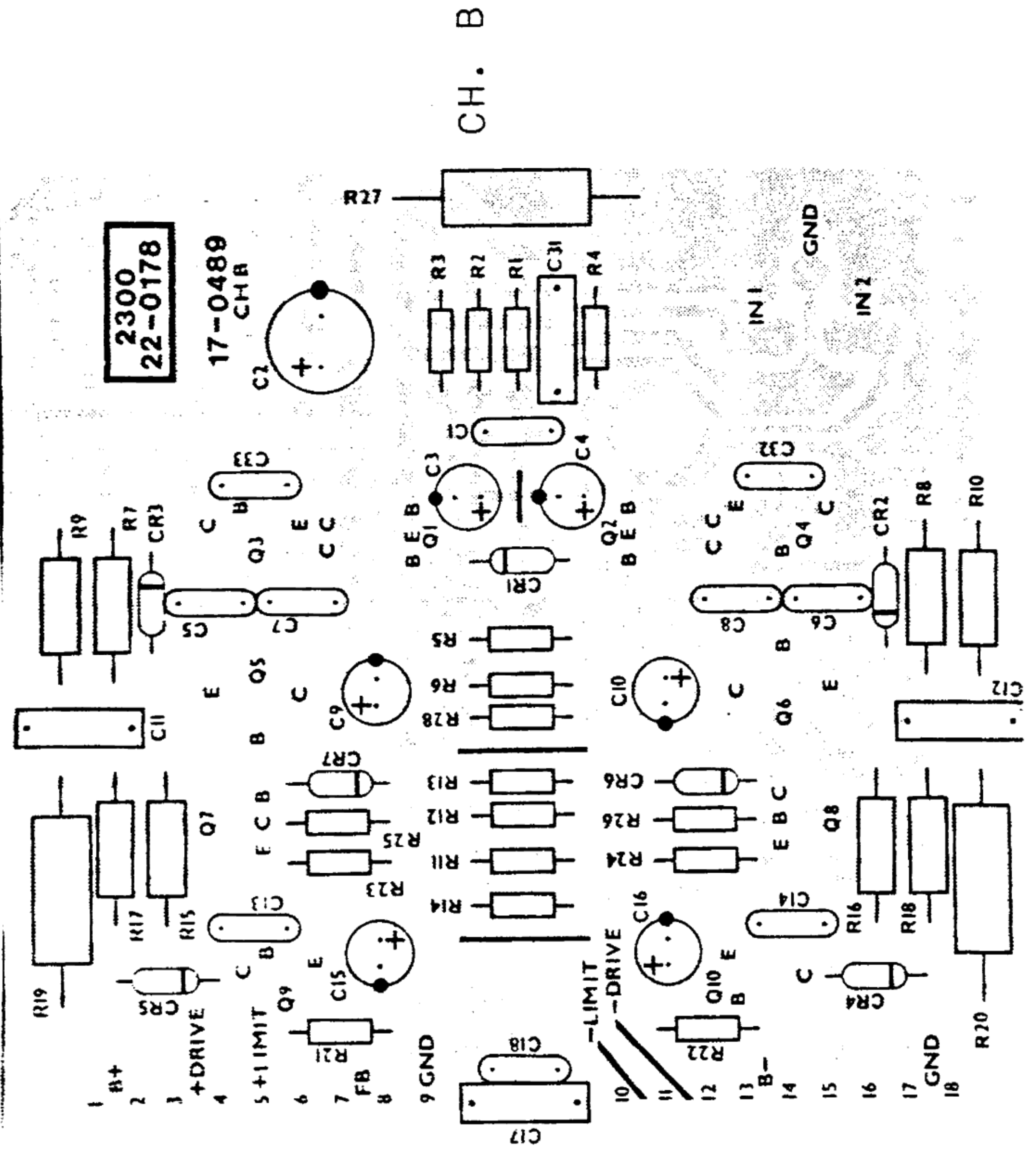
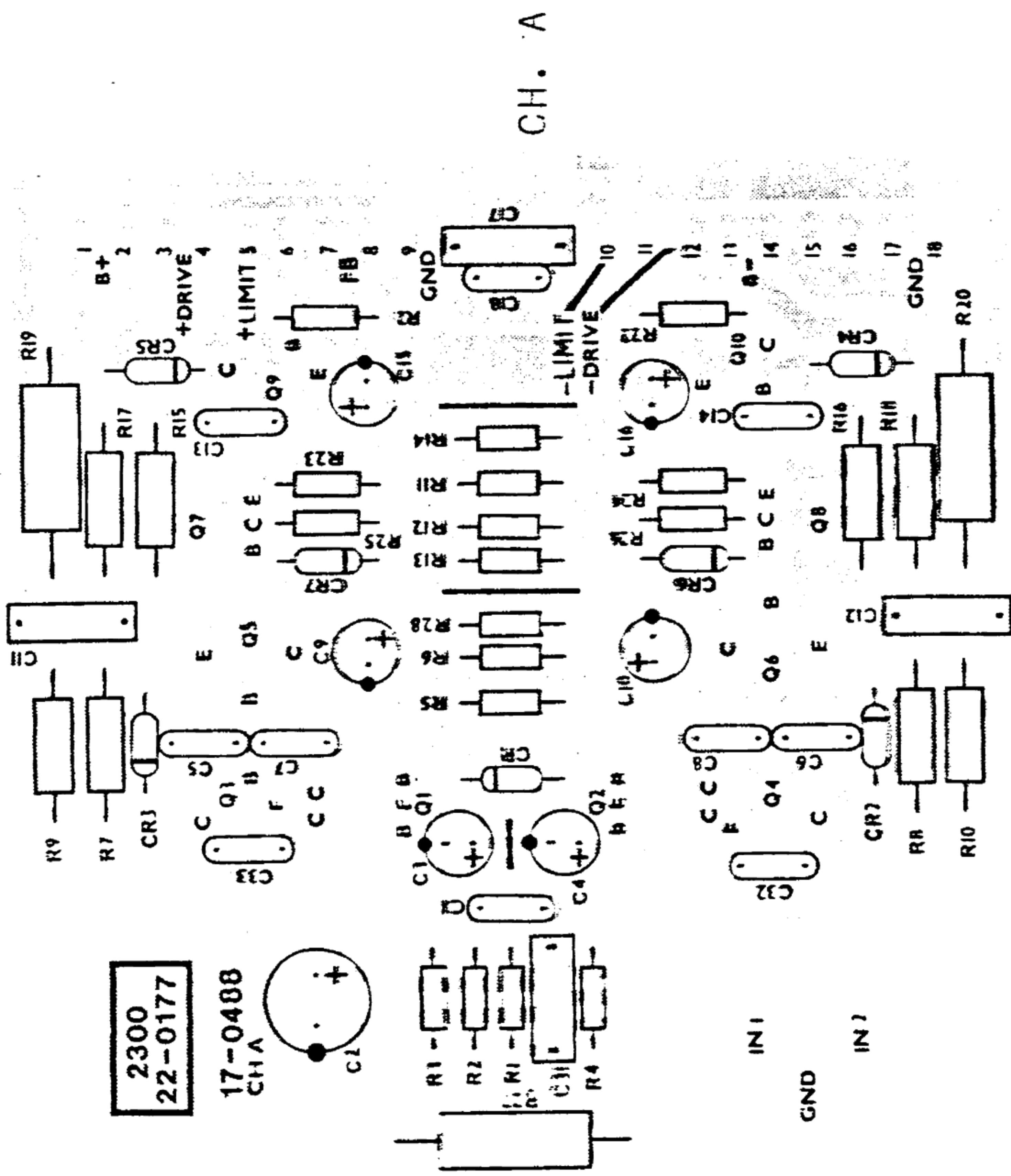
3. Install one diode assembly on foil side of each drive board at points indicated on board layouts as shown. Keep diode assembly close to board to prevent interference with cover when installed.
4. Finish service and check-out of amplifier as needed.
5. Re-install covers, observing that rear flange of top cover does not interfere with newly installed diode assemblies.

(over)

Components for the Connoisseur

P.O. Box 60271 Terminal Annex, Los Angeles, California 90060 • (213) 489-7600 • Telex: 67-4062

Component Side



ADD

ADD