

*Bauteilestückliste & Schaltplan der SAC PA150*

*Haftungsausschluß :*

*Die Verwendung dieses Dokumentes geschieht auf eigene Gefahr.  
Dieses Dokument kann mit Irrtümern und Fehlern behaftet sein.  
Für Schäden an Geräten, die durch evtl. Fehler in diesem Dokument  
auftreten, kann die SAC GmbH nicht haftbar gemacht werden.*

## MAINBOARD

ITEMS	DESCRIPTION	REMARK
<b>RESISTORS</b>		
R 1	12K	0,6W Metalfilm 1%
R 2	560R	"
R 3	22K	"
R 4	22K	"
R 5	22K	"
R 6	51R	"
R 7	270R	"
R 8	270R	"
R 9	6,8K	"
R 10	6,8K	"
R 11	2,2K	"
R 12	2,2K	"
R 13	220R	"
R 14	4,42K	"
R 15	4,42K	"
R 16	2K	"
R 17	2,2K	"
R 18	2K	"
R 19	2,2K	"
R 20	330R	"
R 21	330R	"
R 22	100R	"
R 23	100R	"
R 24	100R	"
R 25	100R	"
R 26	1K	"
R 27	330R	"
R 28	270R	"
R 29	1K	"
R 30	470R	"
R 31	470R	"
R 32	8,2K	"
R 33	8,2K	"
R 34	470R	"
R 35	470R	"
R 36	15R	"
R 37	15R	"
R 38	390R	"
R 39	82R	"
R 40	82R	"
R 41	390R	"
R 42	0,47R	5W Metalfilm 5%
R 43	0,47R	"
R 44	0,47R	"
R 45	0,47R	"
R 46	0,47R	"
R 47	0,47R	"
R 48	6,8R	5W Wirewound 10%
R 49	2K	0,6W Metalfilm 1%
R 50	2,2K	"

MAINBOARD

ITEMS	DESCRIPTION	REMARK
-------	-------------	--------

**CAPACITORS**

C 1	470pF	Film 5%
C 2	1nF	Film 5%
C 3	0,1uF	Film 5%
C 4	0,1uF	Film 5%
C 5	150pF	Film 2,5%
C 6	0,1uF	Film 5%
C 7	0,1uF	Film 5%
C 8	220uF/ 35V	Electrolytic
C 9	220uF/ 35V	Electrolytic
C 10	68nF/160V	Film 5%
C 11	68nF/100V	Film 5%
C 12	10000uF/ 63V	Electrolytic
C 13	10000uF/ 63V	Electrolytic
C 14	10000uF/ 63V	Electrolytic
C 15	10000uF/ 63V	Electrolytic

**IC**

IC 1	AD 797AN	Analog Devices
------	----------	----------------

**TRANSISTOR**

T 1	BC 546B	
T 2	BC 546B	
T 3	BC 550C	
T 4	BC 556B	
T 5	BC 556B	
T 6	BC 560C	
T 7	2SA 1220A	NEC
T 8	BD 139-16	
T 9	2SC 2690A	NEC
T 10	BC 337-25	
T 11	BC 327-25	
T 12	2SA 1220A	NEC
T 13	2SC 2690A	NEC
T 14	2SC 3263Y	Sanken
T 15	2SC 3263Y	"
T 16	2SC 3263Y	"
T 17	2SA 1294Y	"
T 18	2SA 1294Y	"
T 19	2SA 1294Y	"

## MAINBOARD

---

ITEMS	DESCRIPTION	REMARK
<b>DIODE</b>		
D 1	1N 4148	
D 2	1N 4148	
D 3	BZX 55 18V	Zener Diode
D 4	BZX 55 18V	Zener Diode
D 5	1N 4148	
D 6	1N 4148	
D 7	SD 103A	Schottky
D 8	1N 4148	
D 9	1N 4148	
D 10	SD 103A	Schottky
D 11	1N 4148	
D 12	1N 4148	
D 13	BA 157	
D 14	BA 157	

---

**VARIABLE RESISTOR**

---

P 1	25K Cermet Adjust	OFFSET
P 2	470R Cermet Adjust	BIAS

---

**RECTIFIER**

---

GR 1	KBPC 606 Rectifier Bridge	
------	---------------------------	--

---

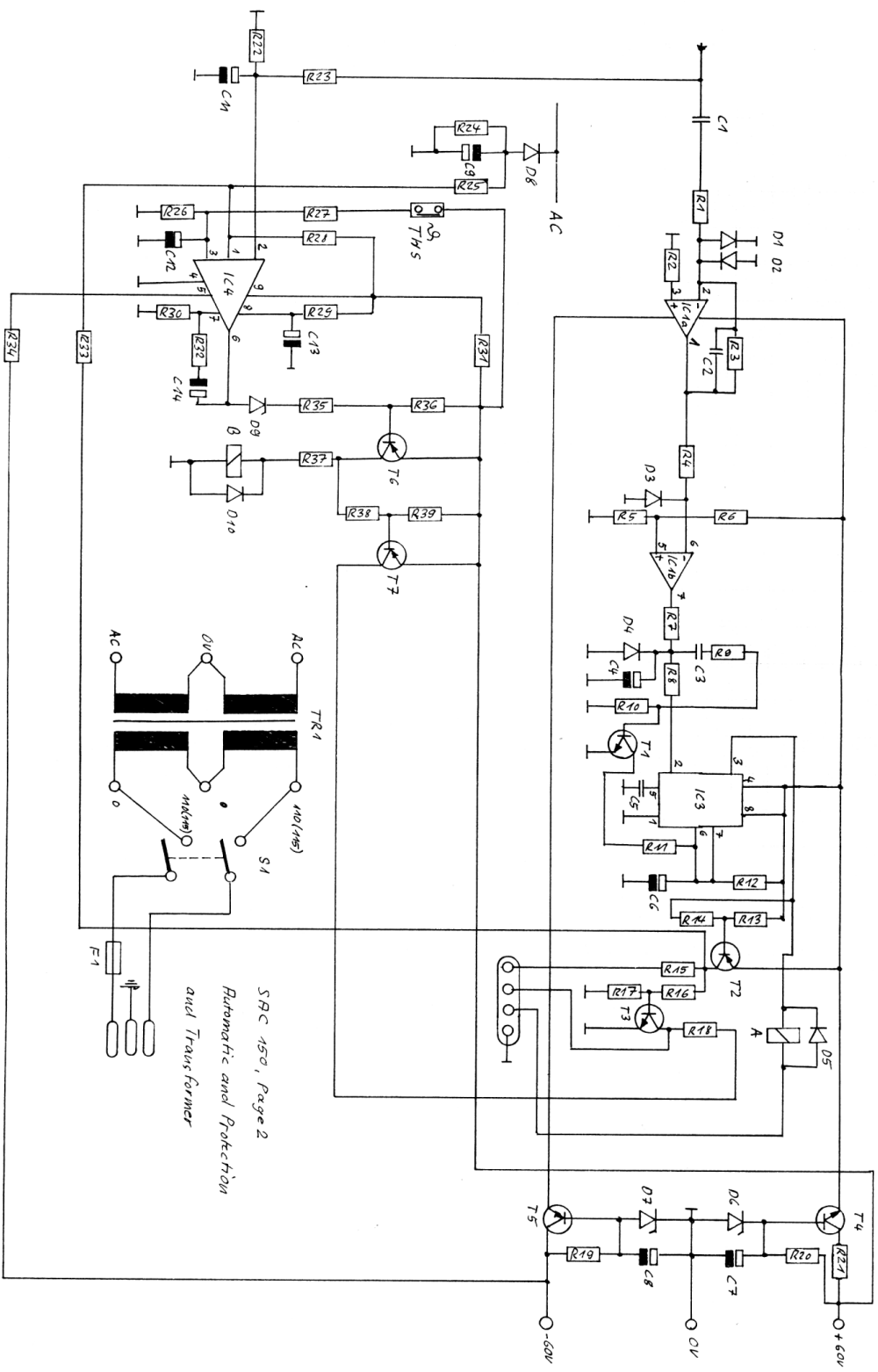
MAINBOARD/ Automatic, Protection and Transformer section.

ITEMS	DESCRIPTION	REMARK
<b>RESISTORS</b>		
R 1	100R	0,6W Metalfilm 1%
R 2	10K	"
R 3	1M	"
R 4	2,2K	"
R 5	100R	"
R 6	15R	"
R 7	2,2K	"
R 8	10K	"
R 9	10K	"
R 10	10K	"
R 11	150R	"
R 12	10M	"
R 13	11K	"
R 14	2,2K	"
R 15	620R	"
R 16	27K	"
R 17	2,2K	"
R 18	3,3K	2W Wirewound 5%
R 19	10K	0,6W Metalfilm 1%
R 20	10K	"
R 21	1K	5W Wirewound 10%
R 22	68K	0,6W Metalfilm 1%
R 23	68K	"
R 24	15K	"
R 25	100K	"
R 26	68K	"
R 27	68K	"
R 28	47K	"
R 29	220K	"
R 30	33K	"
R 31	18K	"
R 32	56K	"
R 33	15K	"
R 34	18K	"
R 35	33K	"
R 36	3,3K	"
R 37	1K	5W Wirewound 10%
R 38	56K	0,6W Metalfilm 1%
R 39	1K	"
<b>CAPACITORS</b>		
C 1	0,47uF/100V	Film 5%
C 2	1nF	Film 5%
C 3	0,22uF	Film 5%
C 4	1uF/ 25V	Electrolytic
C 5	10nF	Ceramic

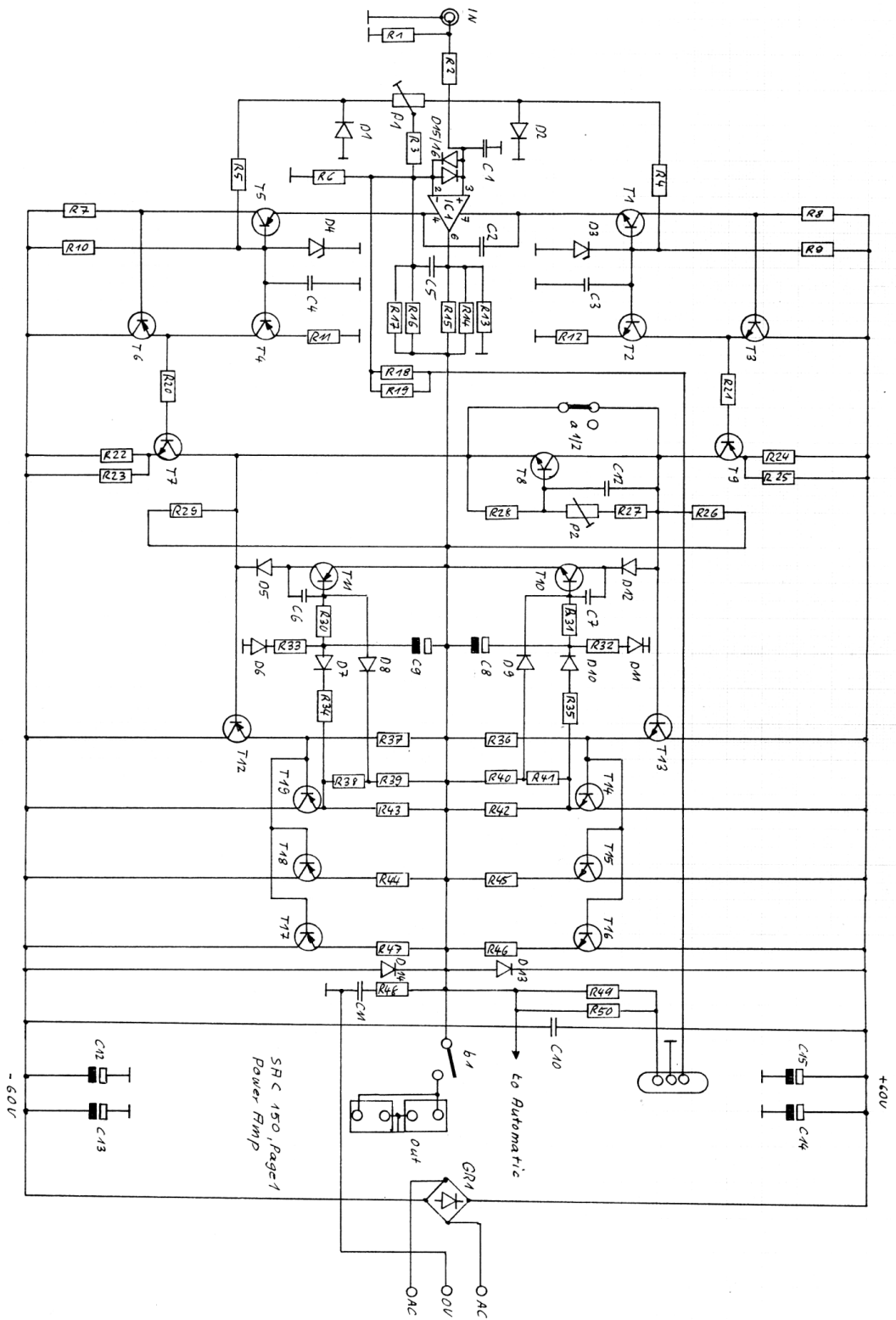
MAINBOARD/ Automatic, Protection and Transformer section.

ITEMS	DESCRIPTION	REMARK
<b>CAPACITORS</b>		
C 6	22uF/25V Electrolytic	
C 7	22uF/25V	"
C 8	22uF/25V	"
C 9	1uF/63V	"
C 10	not used	
C 11	22uF/25V	"
C 12	4,7uF/25V	"
C 13	22uF/25V	"
C 14	1uF/50V	"
<b>IC</b>		
IC 1a,b	TL 072	
IC 3	NE 555	
IC 4	TA 7317P	Toshiba
<b>DIODE</b>		
D 1	1N 4148	
D 2	1N 4148	
D 3	1N 4148	
D 4	1N 4148	
D 5	1N 4148	
D 6	BZX 55 15V	Zener Diode
D 7	BZX 55 15V	Zener Diode
D 8	1N 4003	
D 9	BZX 55 22V	Zener Diode
D 10	1N 4148	
<b>RELAY</b>		
A	RY 12WK Takamisawa	
B	40907 Eberle	12V/16A
<b>TRANSISTOR</b>		
T 1	BC 337-25	
T 2	BC 327-25	
T 3	BC 546B	
T 4	BD 139-16	
T 5	BD 140-16	
T 6	BD 140-16	
T 7	BD 140-16	
<b>TRANSFORMER</b>		
TR 1	! Transformer	Pri. 2x115V Sec. 2x 45V/330VA
F 1	! Fuse 3,15A/230V	Europe

NOTE: The components identified by mark ! are critical for safety.  
Replace only with part number specified.



SFC 150, Page 2  
Automatic and Protection  
and Transformer



SRC 150, Page 1  
Power Pump