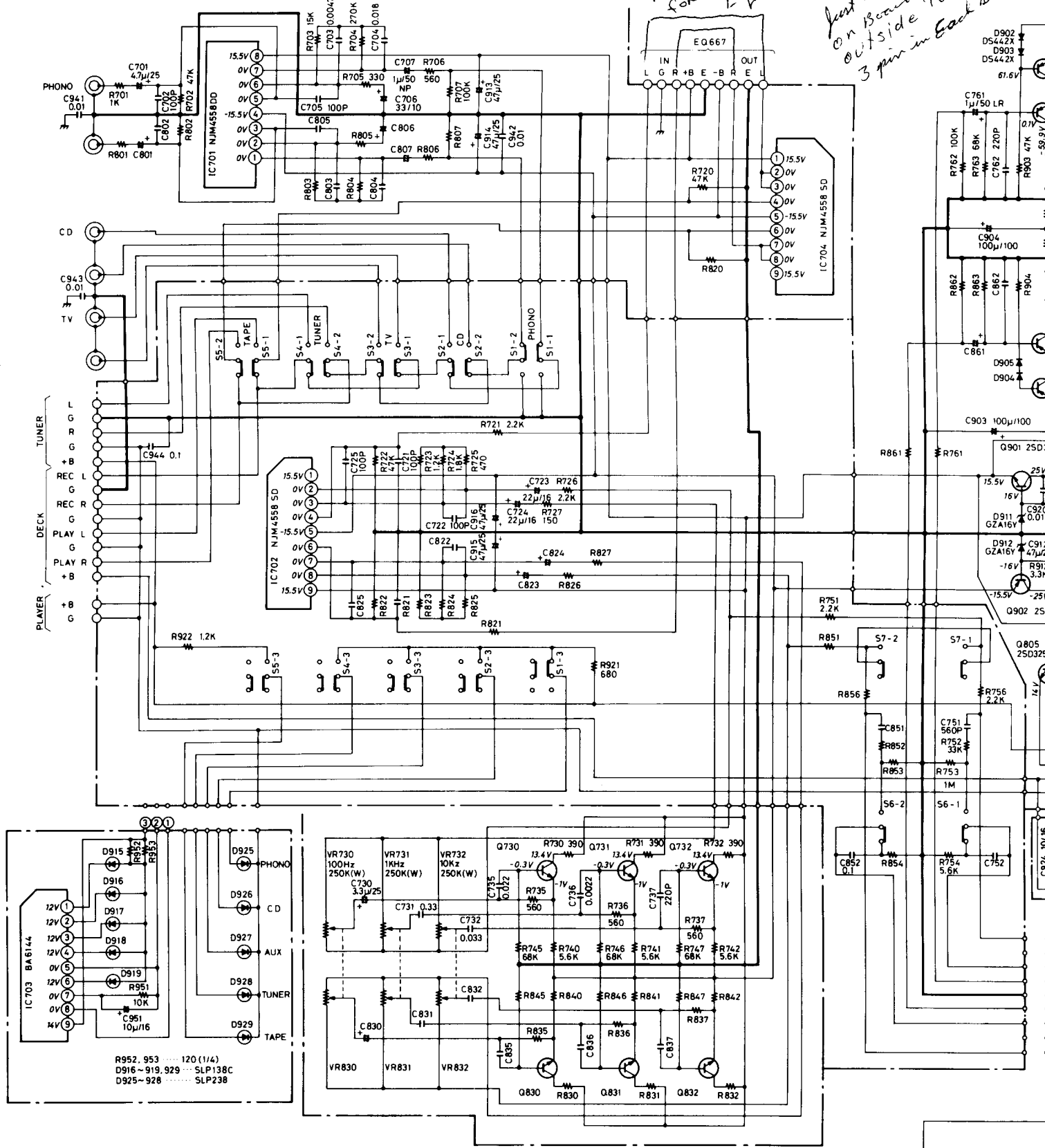


Add jumpers for use w/o Equalizer

On connectors just no connection outside to outside 3 pin in each side

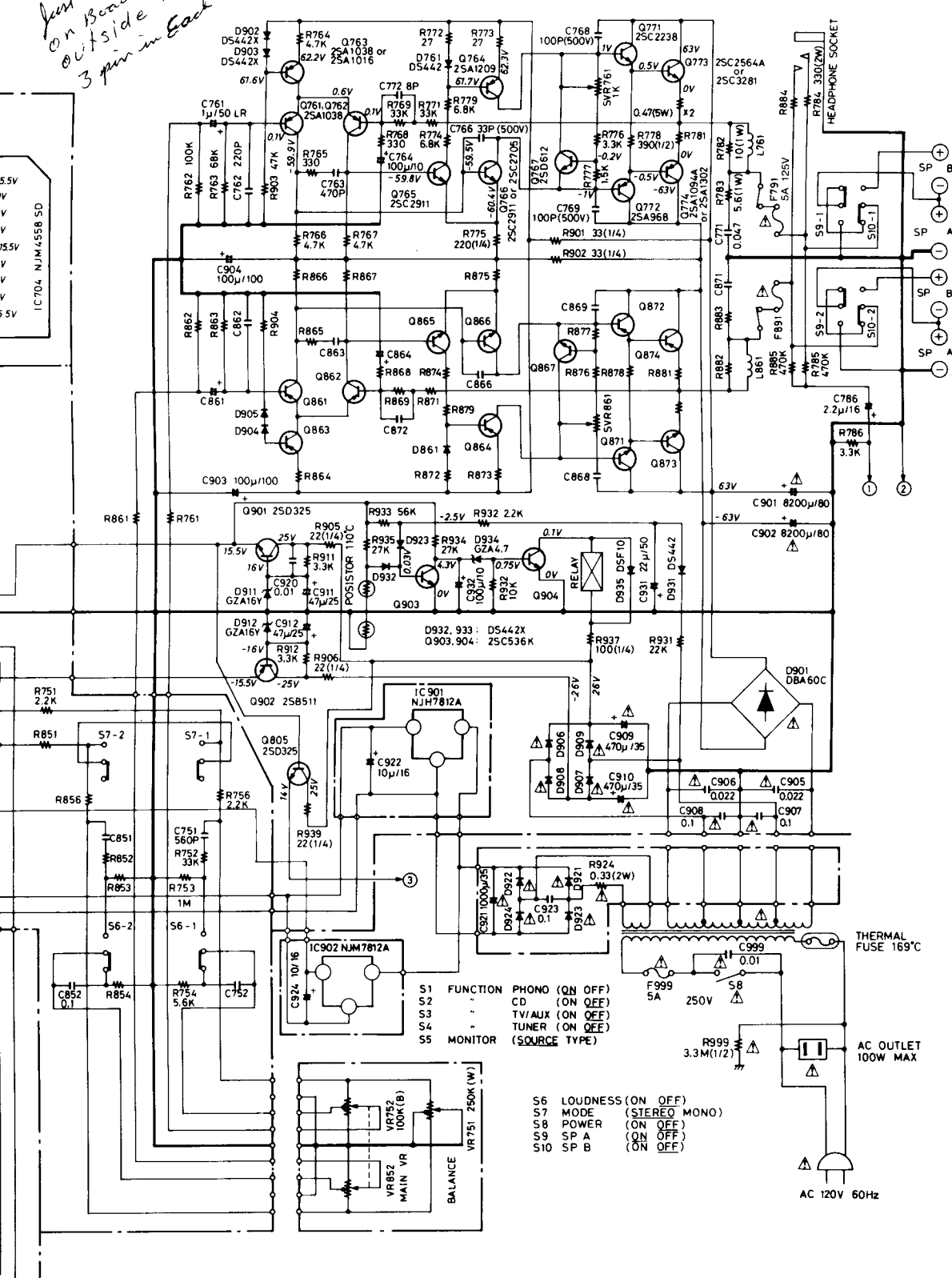


- R952-953 120 (1/4)
- D916~919, 929 SLP138C
- D925~928 SLP238

Each precaution in this m
 the schematic diagram d
 use only the replacer
 the parts list in this man
 Leakage current or resist
 circuit before returning th

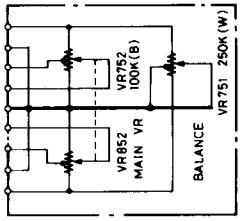
JA667AV 2 of 2

On connectors
 just a connector
 on Board to outside
 outside to outside
 3 pin in each side


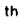


- S1 FUNCTION PHONO (ON OFF)
- S2 CD (ON OFF)
- S3 TV/AUX (ON OFF)
- S4 TUNER (ON OFF)
- S5 MONITOR (SOURCE TYPE)

- S6 LOUDNESS (ON OFF)
- S7 MODE (STEREO MONO)
- S8 POWER (ON OFF)
- S9 SP A (ON OFF)
- S10 SP B (ON OFF)



PRODUCT SAFETY NOTICE

Each precaution in this manual should be followed during servicing. Components identified with the IEC symbol  in the parts list and the schematic diagram designate components in which safety can be of special significance. When replacing a component identified with , use only the replacement parts designated, or parts with the same ratings of resistance, wattage or voltage that are designated in the parts list in this manual. Leakage current or resistance measurements must be made to determine that exposed parts are acceptably insulated from the supply circuit before returning the product to the customer.