

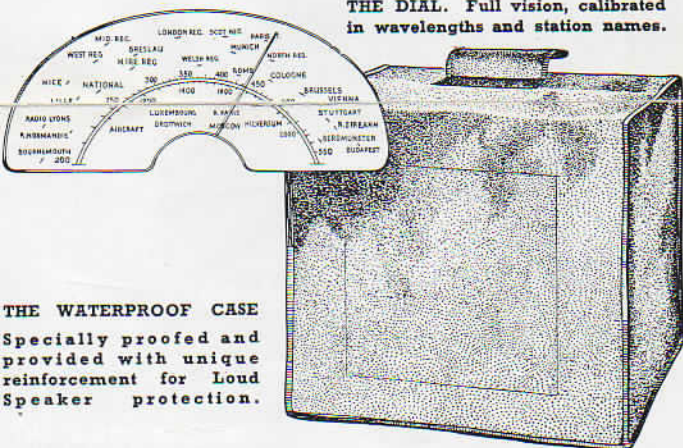
The
ROBERTS'
 NEW MODEL M.4.Q.

Represents a definite advance in the design of portable receivers in performance, appearance and utility. It will receive all worth-while stations, even under difficult conditions, while the volume and high quality reproduction are comparable to a mains driven receiver. In appearance it is outstanding for its quiet dignity and high standard of finish.

For carrying purposes the controls are covered by a hinged lid, which can be locked, as also can the hinged back covering the battery compartment. The loudspeaker aperture is reinforced by concealed metal mesh to protect the speaker cone, further protection for the *whole set being provided by a waterproof cover which is again reinforced by a fibre insert over the loudspeaker.* This cover is supplied inclusive with the set. The weight is approximately 20 lbs. complete.

PRICE **9** GUINEAS

Complete with Waterproof Cover & Turntable



THE DIAL. Full vision, calibrated in wavelengths and station names.

THE WATERPROOF CASE
 Specially proofed and provided with unique reinforcement for Loud Speaker protection.

THE HANDSOME CASE IS COVERED IN A NEW PATTERN HIGH-GRADE BLUE REXINE



NOTE LOCK TO LID OVER CONTROLS

SIZE
 11 $\frac{3}{8}$ " x 11 $\frac{3}{8}$ " x 7"

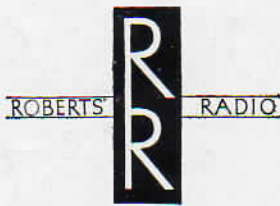


AS SUPPLIED TO AND USED BY THE B.B.C.

TECHNICAL DETAILS

THE circuit, which operates from a frame aerial in an upright cabinet, employs **Four Valves**, comprising high frequency stage, triode detector, triode low frequency amplifier and a Q.P.P. output stage, feeding a 6 $\frac{1}{2}$ in. permanent magnet moving coil speaker. Transformer coupling is employed throughout. Three controls are provided and are used for wave change, tuning and volume control. The tuning scale is calibrated in wavelengths and station names. A standard size 108 volt H.T. battery fits into a compartment at the rear of the cabinet and supplies H.T. and Grid Bias. The average quiescent H.T. current is 6.8 M.A. The Grid Bias section of the battery is discharged at a suitable rate in order to maintain reproduction at its best throughout the life of the battery. The L.T. current is .65 Ampere and is supplied by a 2-volt accumulator of 20 actual A.H. capacity.

THE FINEST PORTABLE YET PRODUCED



ROBERTS' RADIO CO., LTD.

41, RATHBONE PLACE,
OXFORD STREET, W.1.

TELEPHONE MUSEUM 8874

On sale at:—

The finest
of all
Portables

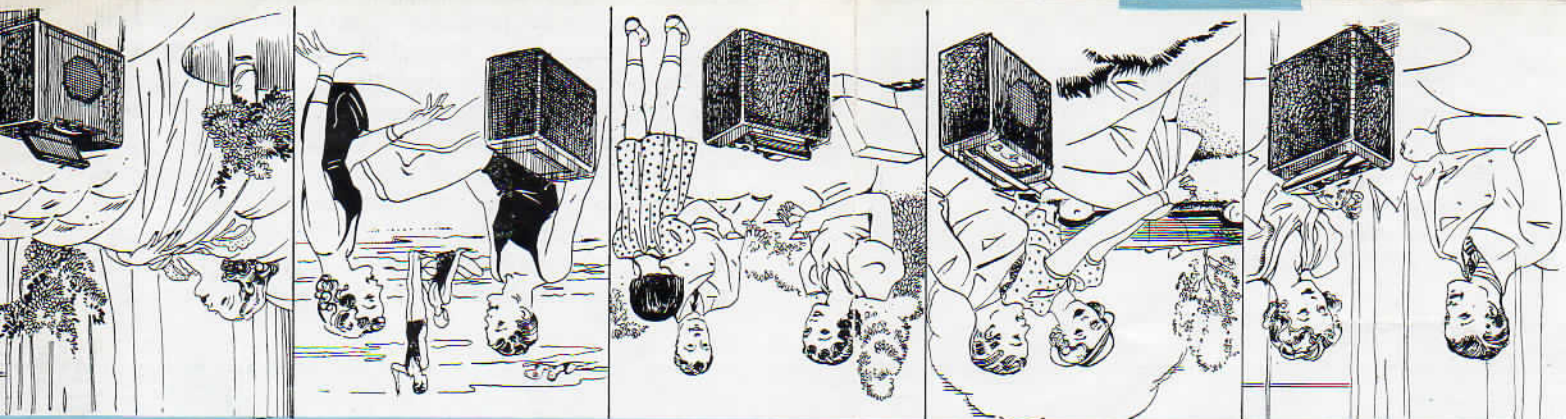
ROBERTS'

RADIO

R
R

NEW
MODEL
M4Q

ROBERTS' RADIO CO. LTD.
41, RATHBONE PLACE, OXFORD STREET, W.1.



NURSING HOMES

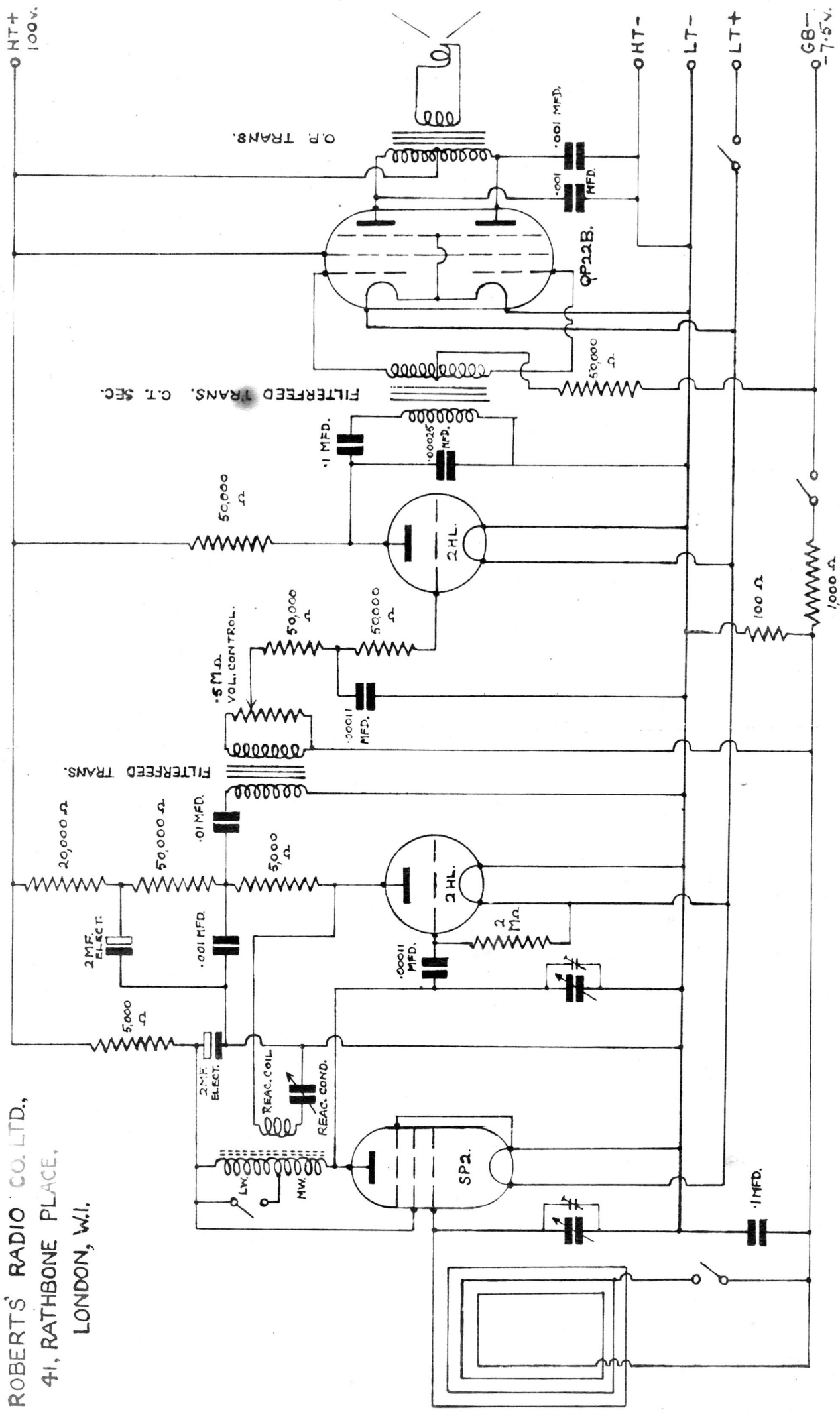
HOLIDAYS

PICNICS

THE CAR

IDEAL FOR HOME

ROBERTS' RADIO CO. LTD.,
 41, RATHBONE PLACE,
 LONDON, W.1.



DRAWN BY *WB.* CHECKED BY *GA* MODEL M4Q.