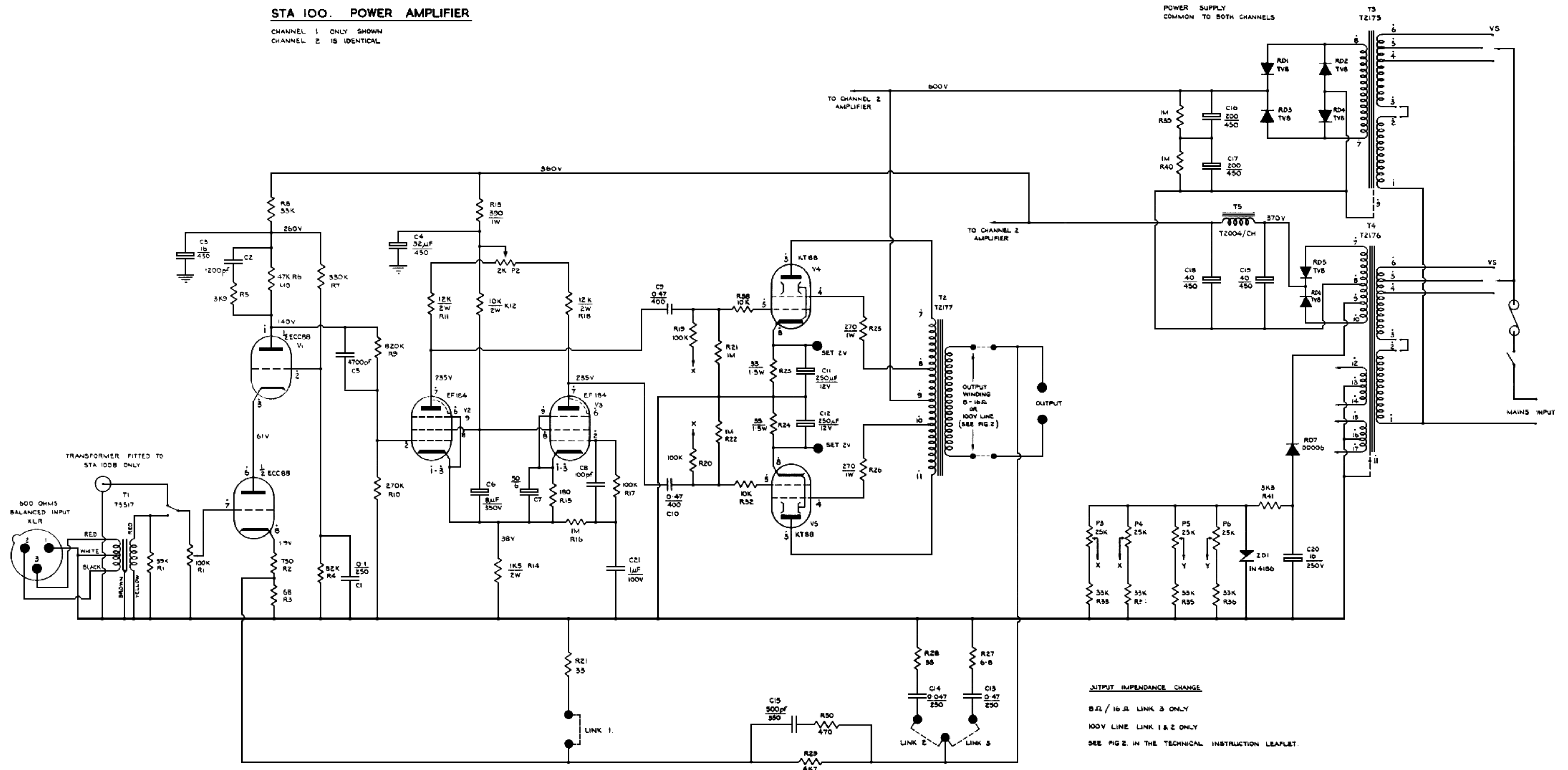


STA 100. POWER AMPLIFIER

CHANNEL 1 ONLY SHOWN
CHANNEL 2 IS IDENTICAL



OUTPUT IMPEDANCE CHANGE

8Ω / 16Ω LINK 3 ONLY

100V LINE LINK 1 & 2 ONLY

SEE FIG 2 IN THE TECHNICAL INSTRUCTION LEAFLET.