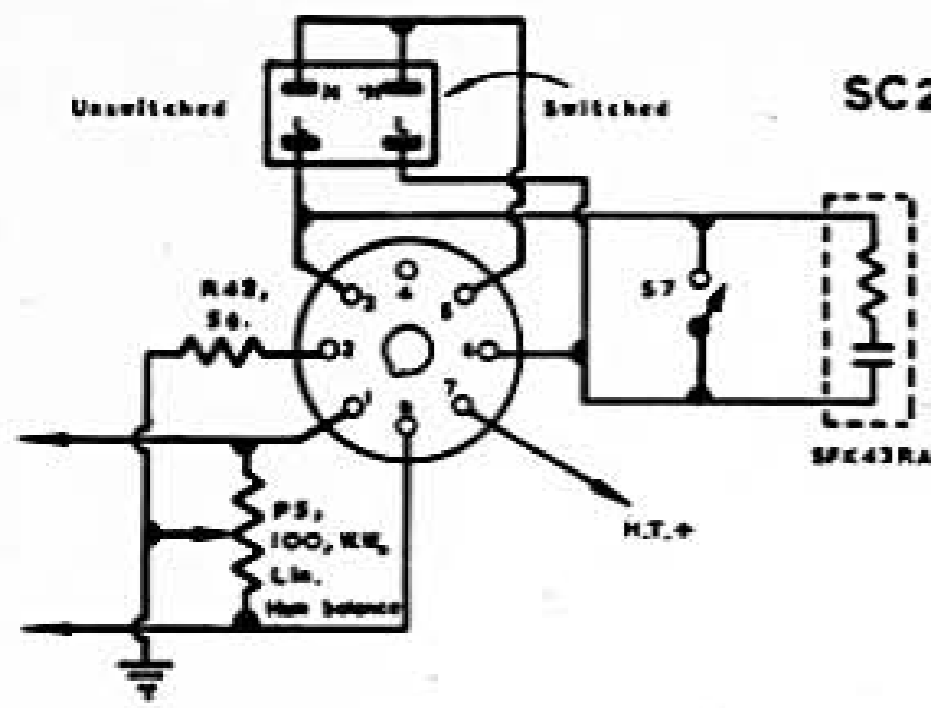
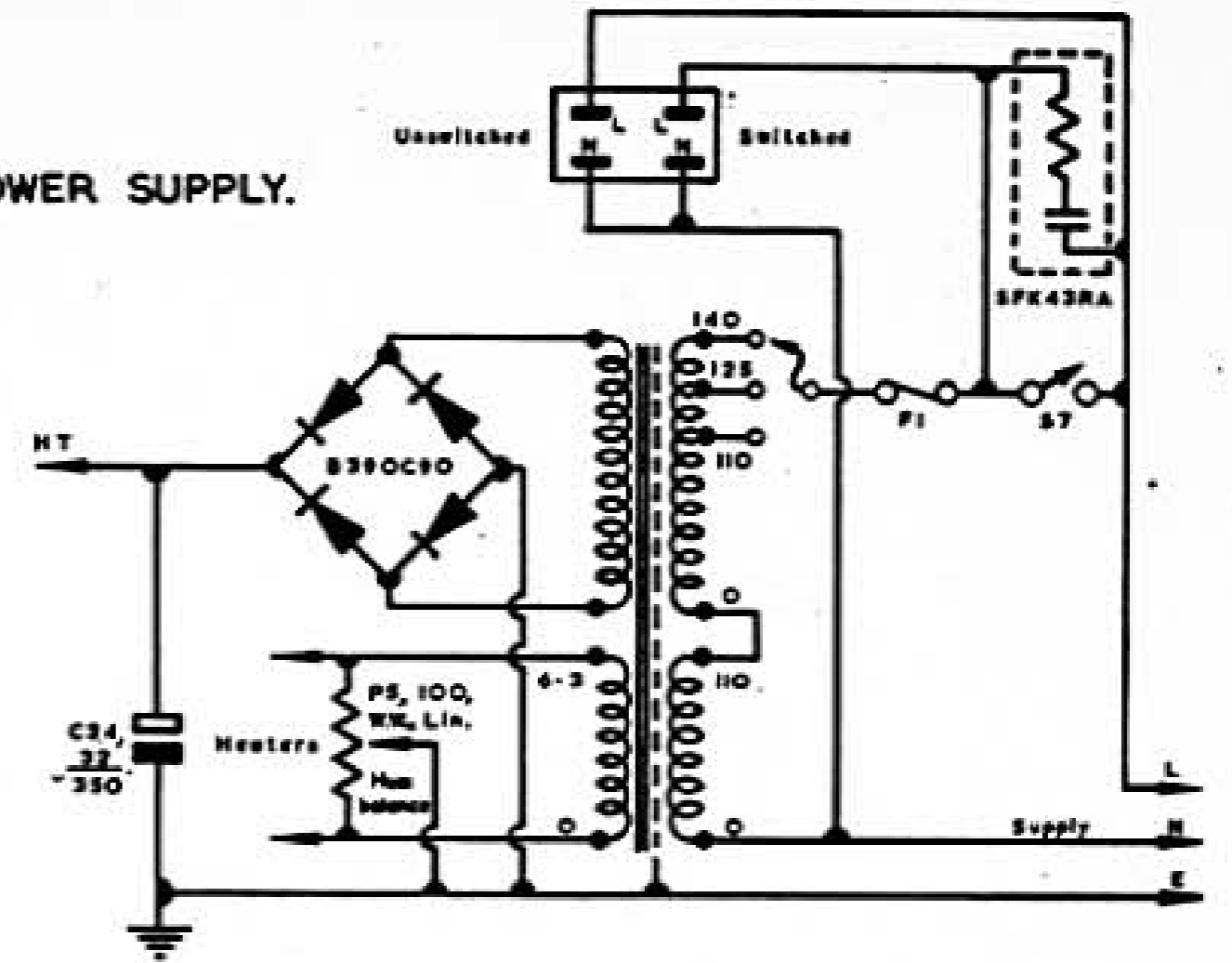


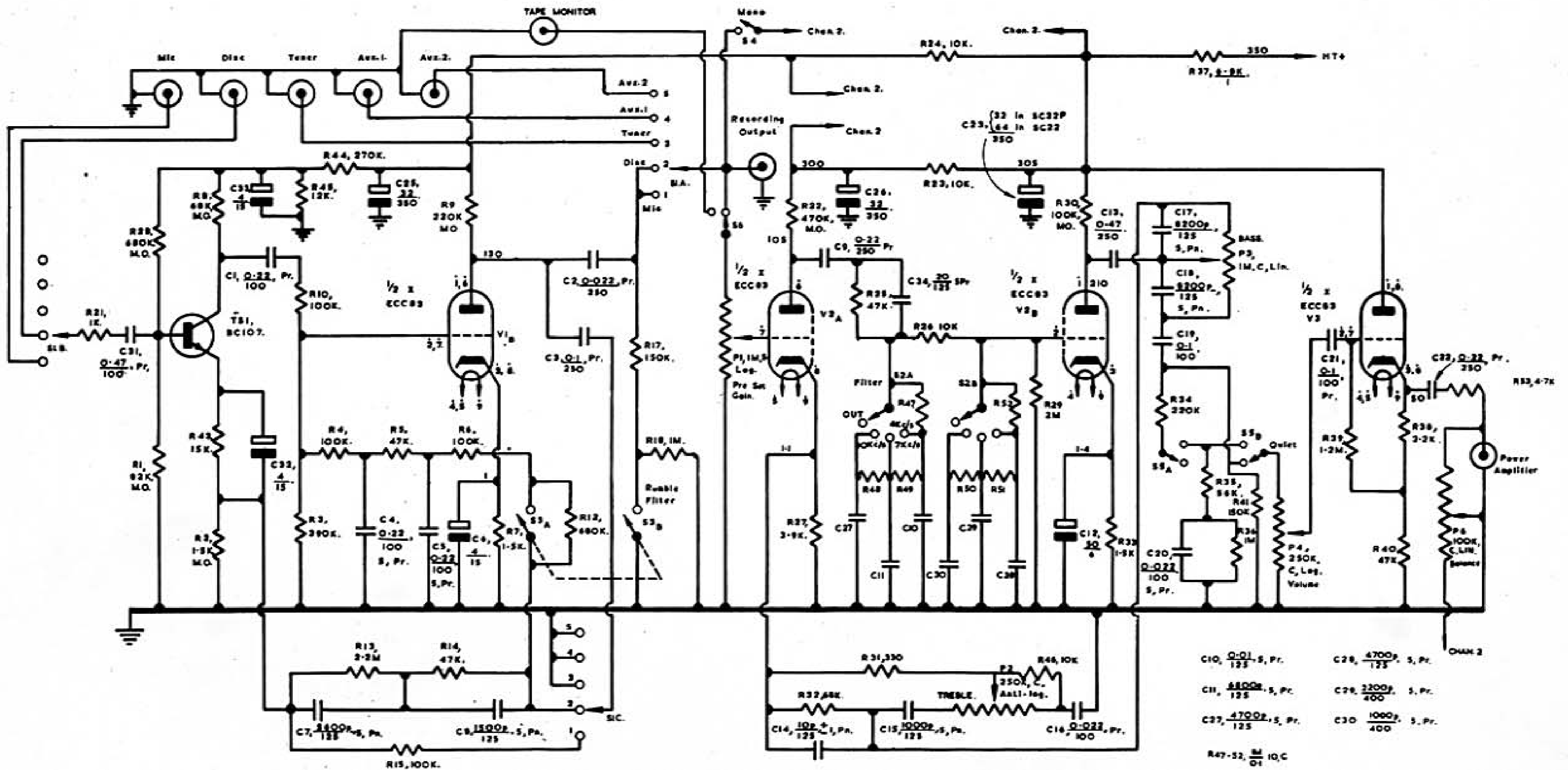
SC22-POWER SUPPLY CONNECTIONS.



SC22P MAINS POWER SUPPLY.



SC22 PREAMPLIFIER CIRCUIT DIAGRAM.



- C10, 0-01, 5, Pr. 125
- C11, 2500P, 5, Pr. 125
- C12, 4700P, 5, Pr. 125
- C13, 0-01, 100
- C14, 10P, 125
- C15, 1000P, 5, Pr. 125
- C16, 0-022, Pr. 100
- C17, 2200P, 125, 5, Pr.
- C18, 2200P, 125, 5, Pr.
- C19, 0-1, 100
- C20, 0-022, 100, 5, Pr.
- C21, 0-1, 100, Pr.
- C22, 0-22, Pr. 250
- C23, 0-22, 350
- C24, 20, 125, SP
- C25, 32, 350
- C26, 32, 350
- C27, 47K, 47K, M.O.
- C28, 4700P, 5, Pr. 125
- C29, 2200P, 5, Pr. 400
- C30, 1000P, 5, Pr. 400