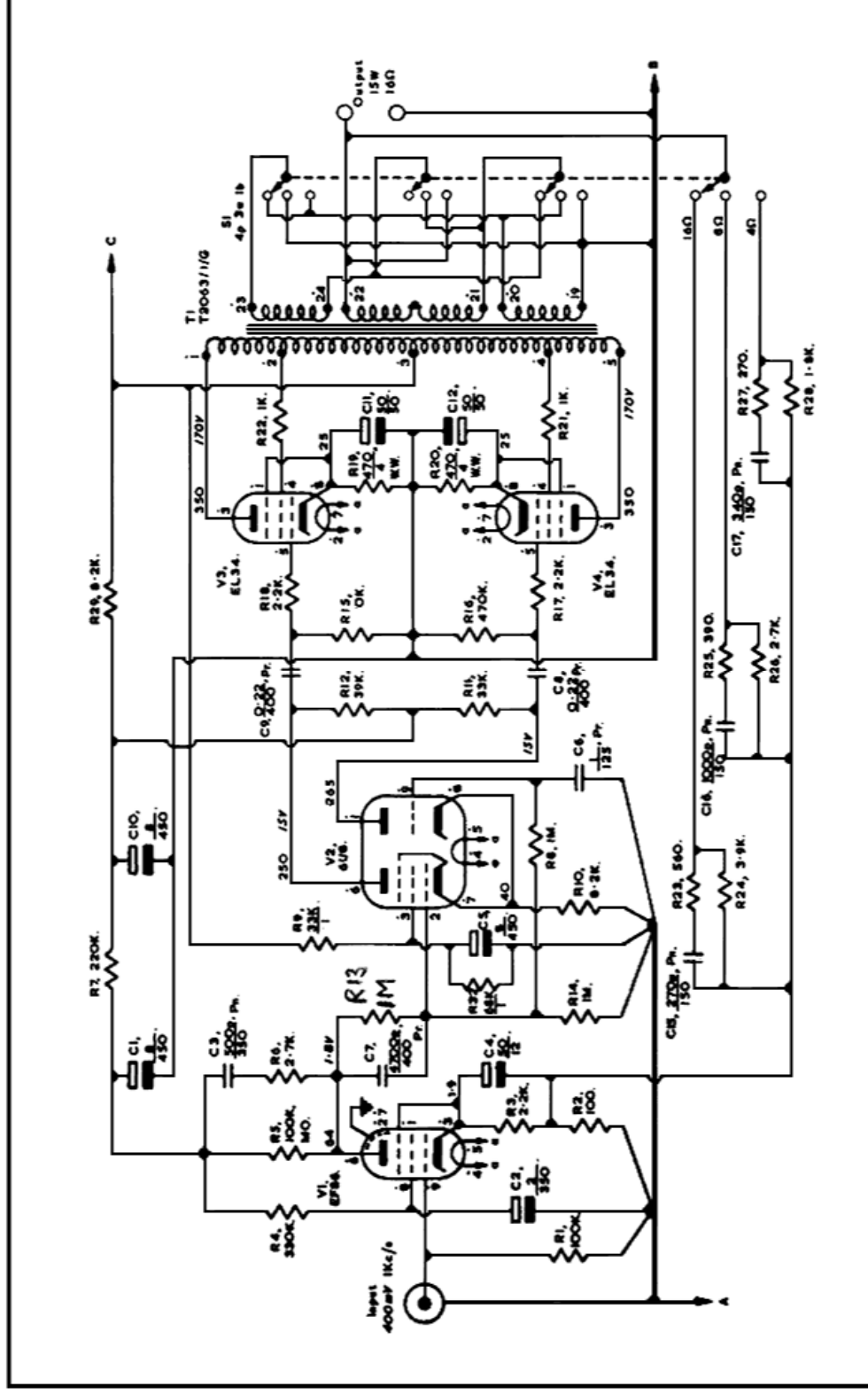


BASIC AMPLIFIER CIRCUIT

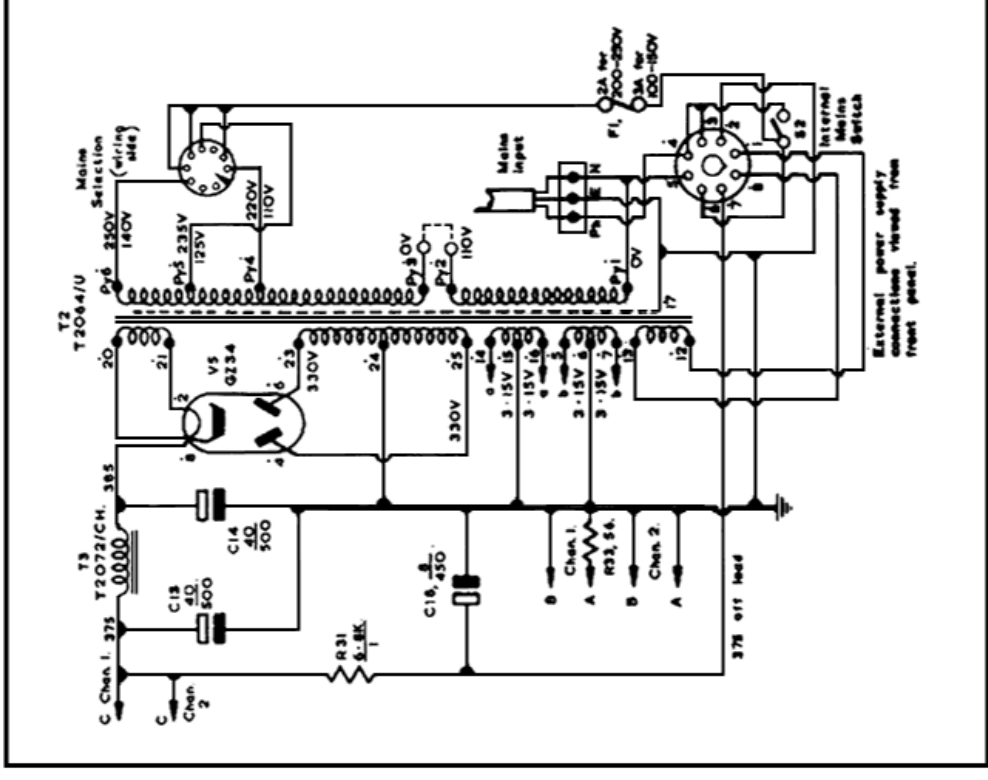
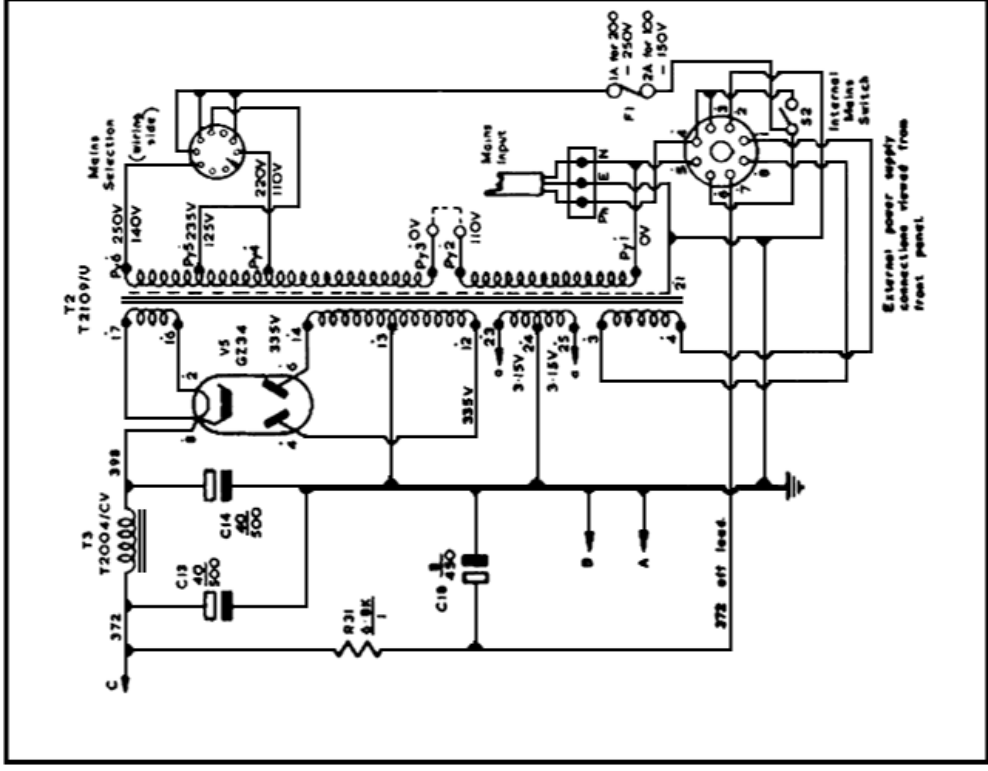
15 WATTS



MA 15

POWER SUPPLY

STA 15



External power supply connections viewed from front panel.

External power supply connections viewed from front panel.