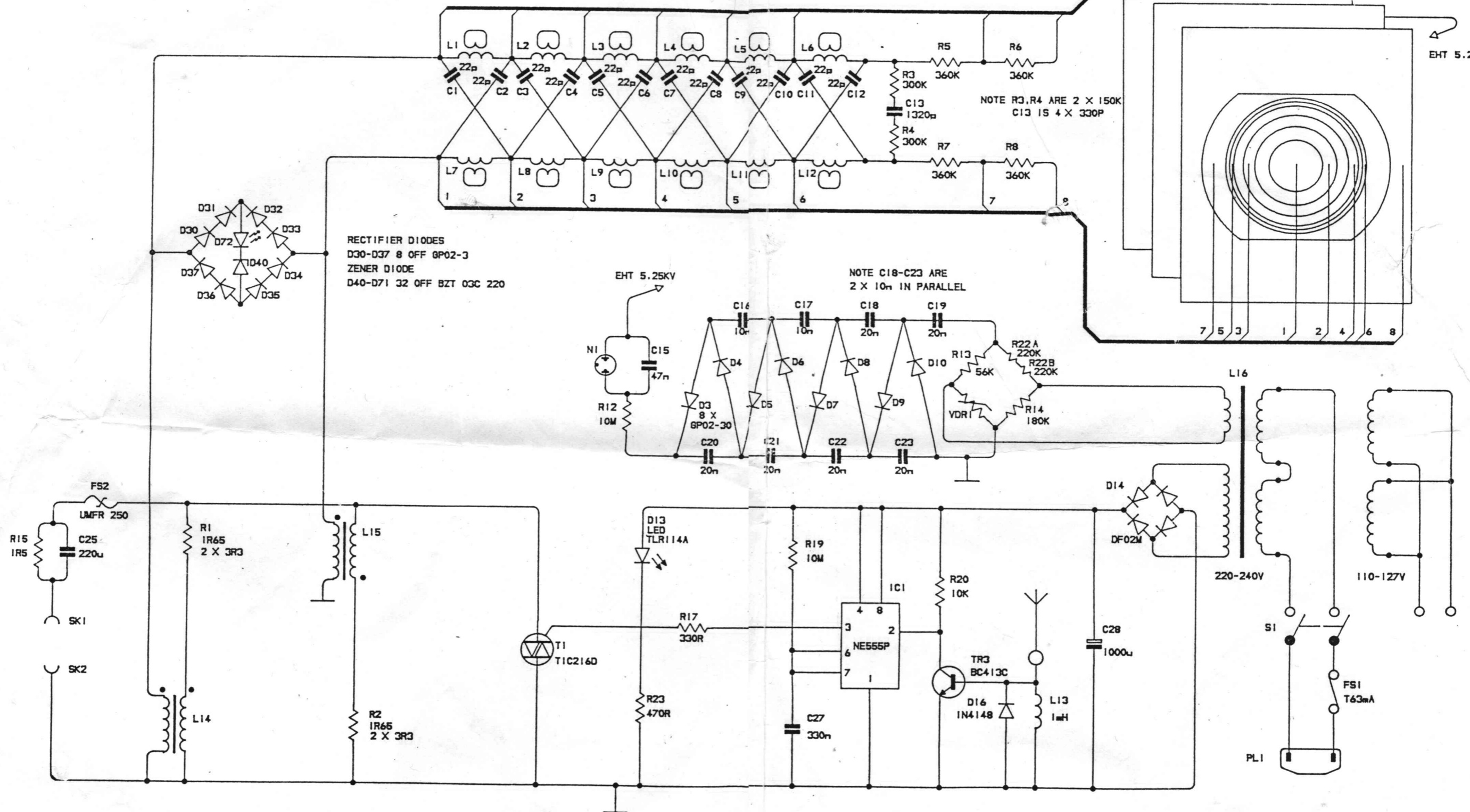


ALL DIMENSIONS IN mm



RECTIFIER DIODES
 D30-D37 8 OFF 6P02-3
 ZENER DIODE
 D40-D71 32 OFF BZT 03C 220

NOTE C18-C23 ARE
 2 X 10n IN PARALLEL

NOTE R3,R4 ARE 2 X 150K
 C13 IS 4 X 330P

SCALE	QUAD QUAD ELECTROACOUSTICS LTD HUNTINGDON ENGLAND	
DRAWN AJL	63 CIRCUIT DIAGRAM	
CHECKED	2209-2.63	
APPROVED		
DATE 5-10-89		