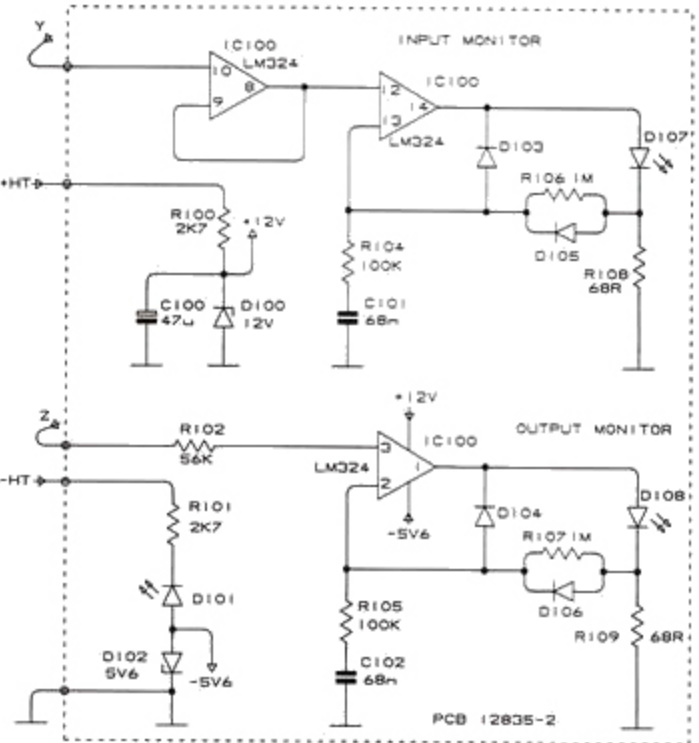
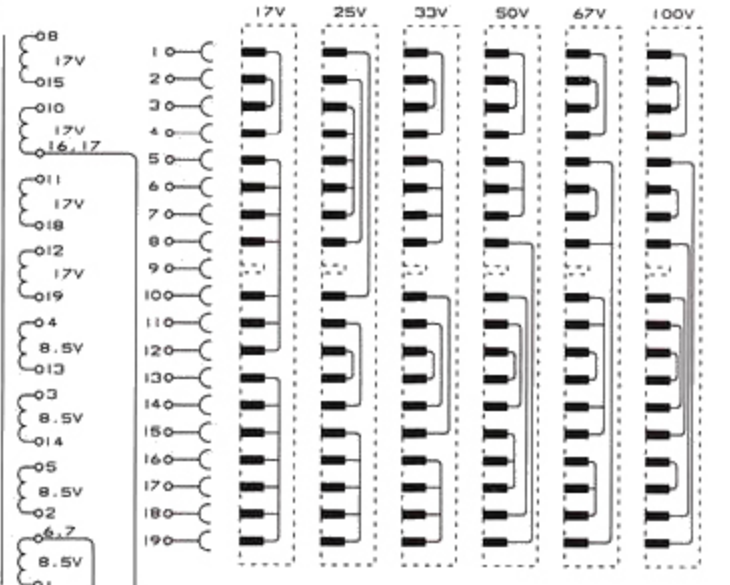
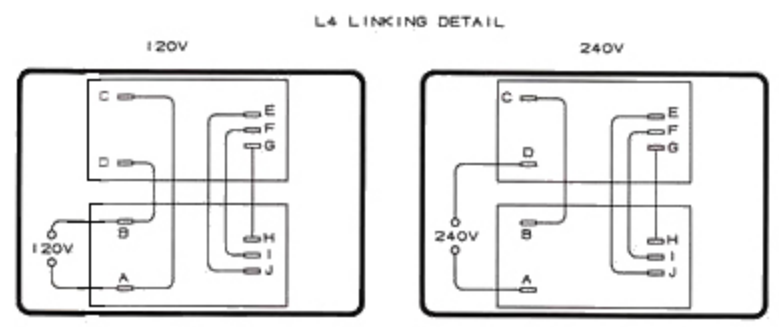


L6

019	12
018	11
01	6,7
02	5
0PR1 - PR1 +	
03	14
04	13
010	16, 17
08	15



* VALUE SUBJECT TO CHANGE
 17556 ALTERNATIVE - MJ15003
 MPSA93 ALTERNATIVE - ZTX 542



510 Amplifier
 Circuit diagram 2272-1.510
 (pcb issue 12828-8)