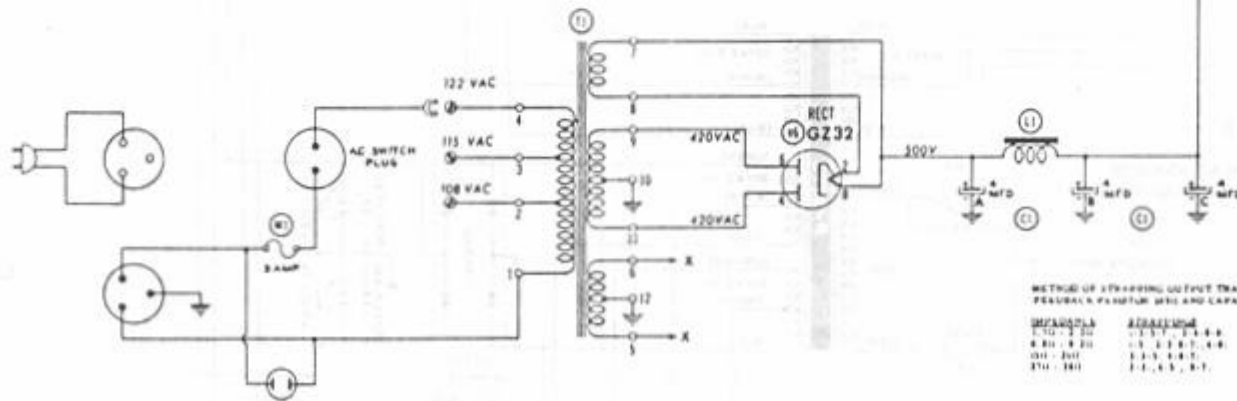
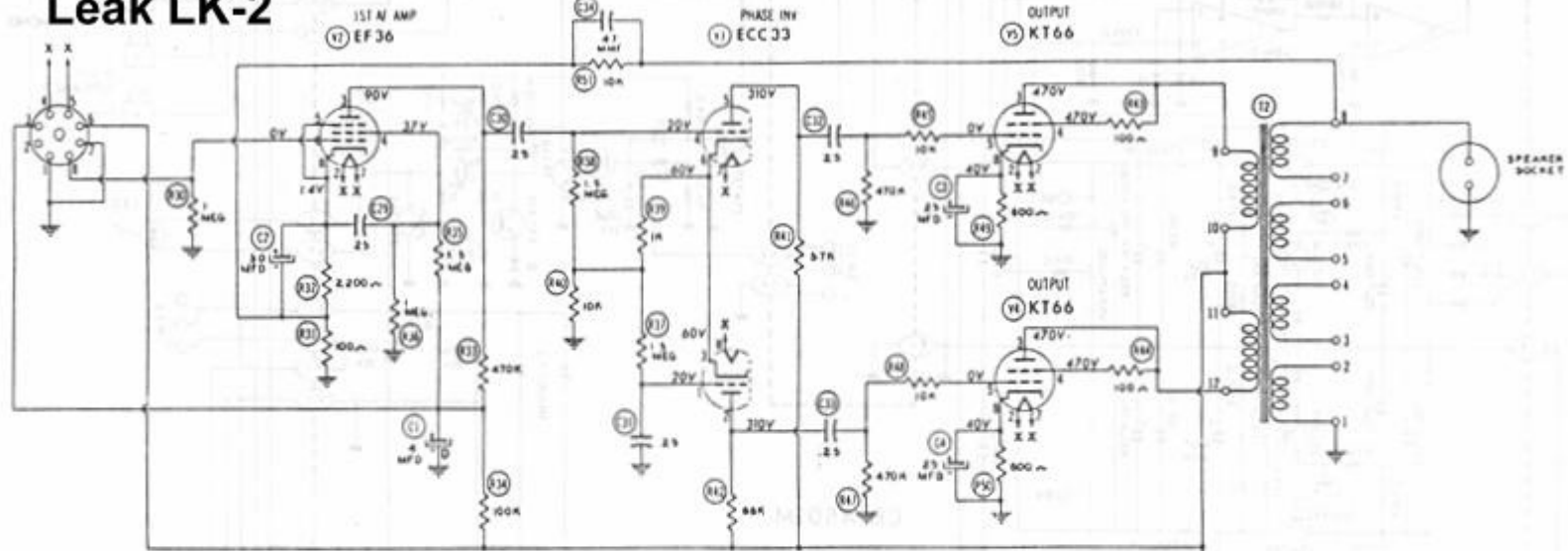


Leak LK-2



METHOD OF TAPPING OUTPUT TRANSFORMER TERMINALS AND WINDING PERVALENS FOR OUTPUT VOLTAGE AND CAPACITOR VALUE

WINDINGS	APPROXIMATE	BEFORE WINDING	CAPACITOR VALUE
1-10 - 1-11	1.5 - 1.8	100	10 MFD
1-11 - 1-12	1.8 - 2.2	100	10 MFD
1-12 - 1-13	2.2 - 2.8	100	10 MFD
1-13 - 1-14	2.8 - 3.5	100	10 MFD