

LAB.GRUPPEN

ACN 2C, 2S, 3C

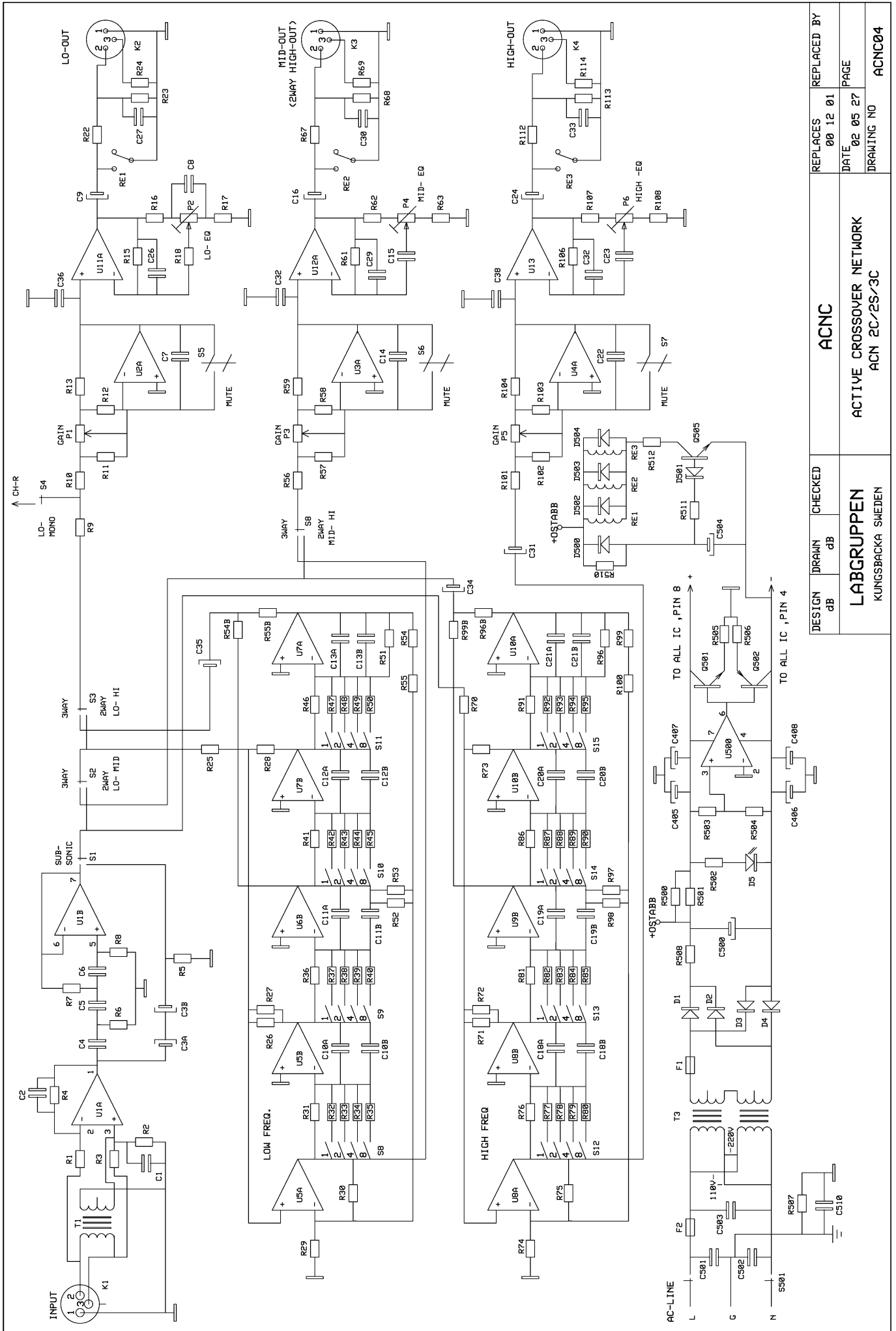
SERVICE MANUAL

Version 2

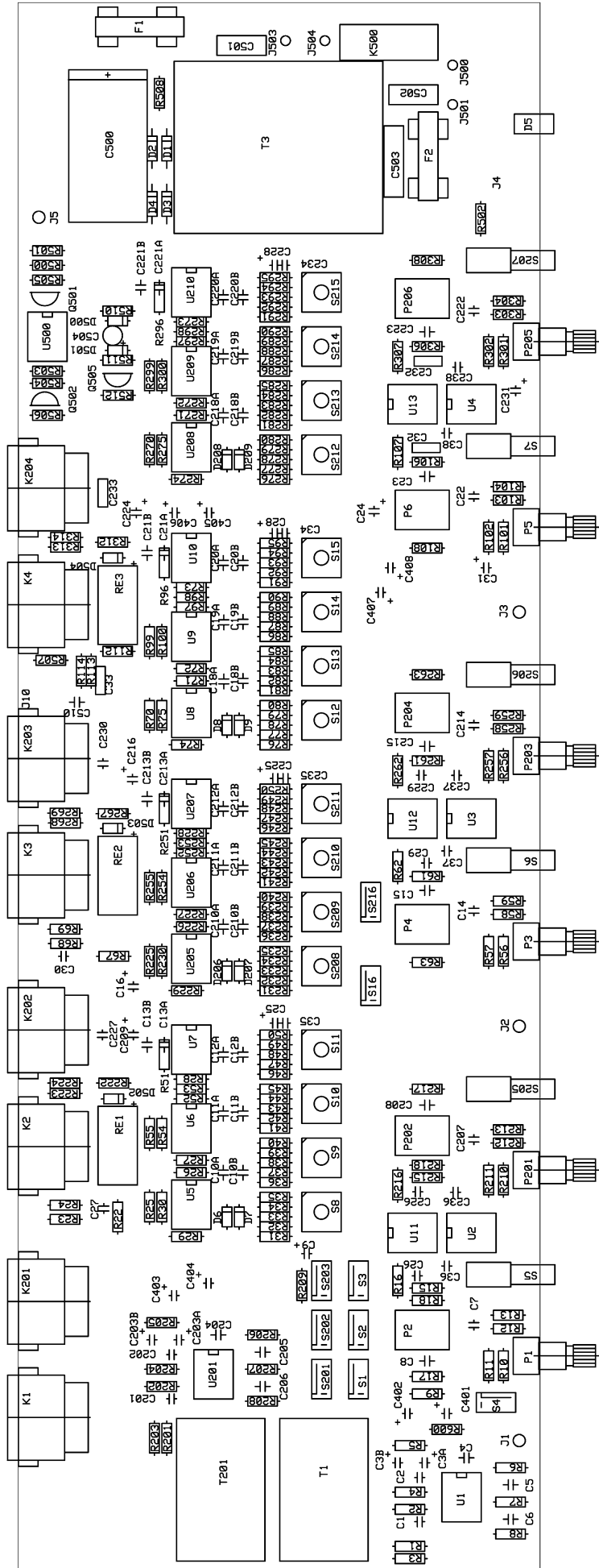
Lab.gruppen AB
Gullregnsvägen 16, SE-434 44 KUNGSBACKA, SWEDEN
Phone: +46 300 56 28 00
Fax: +46 300 56 28 99
info@labgruppen.com
www.labgruppen.com

ACN 2C, 2S, 3C

Schematics for ACN-C	2
Board placement for ACN-C	3
Component list for ACN-C - rev 04A.....	4
Variant specific components	12
Description for variant dependent components.....	15
Sparepart list for ACN-C	17



DESIGN	DB	CHECKED	ACNC	REPLACES	REPLACED BY
				00 12 01	
				DATE	PAGE
				02 05 27	
				DRAWING NO	ACNC04
LABGRUPPEN			ACTIVE CROSSOVER NETWORK		
KUNGSBACKA SWEDEN			ACN 2C/2S/3C		



DESIGN	DRAWN	CHECKED	REPLACES	REPLACED BY
dB	dB		ACNC	
LABGRUPPEN KUNGSBACKA SWEDEN			ACTIVE CROSSOVER NETWORK ACN 2C/2S/3C	
			DATE	PAGE
			02 05 27	00 12 01
			DRAWING NO	ACNC04-P

Component list for ACN-C - rev 04A

⚠ - Safety critical component. Should only be replaced with the specified type.

	Position	Partnumber	Description	Comment	Side
	C1	100p200VNP05%5	Capacitor ceramic 100p 200V NP0 5% 5mm		Top
	C2	100p200VNP05%5	Capacitor ceramic 100p 200V NP0 5% 5mm		Top
	C3A	4u750V	Capacitor electrolytic 4u7 50V 5mm		Top
	C3B	4u750V	Capacitor electrolytic 4u7 50V 5mm		Top
	C4	R02M.6	Resistor jumper 0R 2modules D.6mm		Top
	C5	220n63VMMK5	Capacitor polyester 220n 63V MMK 5mm		Top
	C6	220n63VMMK5	Capacitor polyester 220n 63V MMK 5mm		Top
	C7	100p200VNP05%5	Capacitor ceramic 100p 200V NP0 5% 5mm		Top
	C8	68n63VMMK5	Capacitor polyester 68n 63V MMK 5mm		Top
	C9	47u25V	Capacitor electrolytic 47u 25V 5mm		Top
	C10A		Variant dependent, see separate list		Top
	C10B		Variant dependent, see separate list		Top
	C11A		Variant dependent, see separate list		Top
	C11B		Variant dependent, see separate list		Top
	C12A		Variant dependent, see separate list		Top
	C12B		Variant dependent, see separate list		Top
	C13A		Variant dependent, see separate list		Top
	C13B		Variant dependent, see separate list		Top
	C14	100p200VNP05%5	Capacitor ceramic 100p 200V NP0 5% 5mm		Top
	C15		Variant dependent, see separate list		Top
	C16	47u25V	Capacitor electrolytic 47u 25V 5mm		Top
	C18A		Variant dependent, see separate list		Top
	C18B	-	Not used		Top
	C19A		Variant dependent, see separate list		Top
	C19B	-	Not used		Top
	C20A		Variant dependent, see separate list		Top
	C20B	-	Not used		Top
	C21A		Variant dependent, see separate list		Top
	C21B	-	Not used		Top
	C22		Variant dependent, see separate list		Top
	C23		Variant dependent, see separate list		Top
	C24		Variant dependent, see separate list		Top
	C25	47u25V	Capacitor electrolytic 47u 25V 5mm		Top
	C26	47p100VNP05%5	Capacitor ceramic 47p 100V NP0 5% 5mm		Top
	C27	470p200VNP05%5	Capacitor ceramic 470p 200V NP0 5% 5mm		Top
	C28		Variant dependent, see separate list		Top
	C29	47p100VNP05%5	Capacitor ceramic 47p 100V NP0 5% 5mm		Top
	C30	470p200VNP05%5	Capacitor ceramic 470p 200V NP0 5% 5mm		Top
	C31		Variant dependent, see separate list		Top
	C32		Variant dependent, see separate list		Top
	C33		Variant dependent, see separate list		Top
	C34	-	Not used		Top
	C35	-	Not used		Top
	C36	150p500VK20005%5	Capacitor ceramic 150p 500V K2000 5% 5mm		Top
	C37	150p500VK20005%5	Capacitor ceramic 150p 500V K2000 5% 5mm		Top
	C38		Variant dependent, see separate list		Top
	C201	100p200VNP05%5	Capacitor ceramic 100p 200V NP0 5% 5mm		Top
	C202	100p200VNP05%5	Capacitor ceramic 100p 200V NP0 5% 5mm		Top
	C203A	4u750V	Capacitor electrolytic 4u7 50V 5mm		Top
	C203B	4u750V	Capacitor electrolytic 4u7 50V 5mm		Top
	C204	R02M.6	Resistor jumper 0R 2modules D.6mm		Top
	C205	220n63VMMK5	Capacitor polyester 220n 63V MMK 5mm		Top

	Position	Partnumber	Description	Comment	Side
	C206	220n63VMMK5	Capacitor polyester 220n 63V MMK 5mm		Top
	C207	100p200VNP05%5	Capacitor ceramic 100p 200V NP0 5% 5mm		Top
	C208	68n63VMMK5	Capacitor polyester 68n 63V MMK 5mm		Top
	C209	47u25V	Capacitor electrolytic 47u 25V 5mm		Top
	C210A		Variant dependent, see separate list		Top
	C210B		Variant dependent, see separate list		Top
	C211A		Variant dependent, see separate list		Top
	C211B		Variant dependent, see separate list		Top
	C212A		Variant dependent, see separate list		Top
	C212B		Variant dependent, see separate list		Top
	C213A		Variant dependent, see separate list		Top
	C213B		Variant dependent, see separate list		Top
	C214	100p200VNP05%5	Capacitor ceramic 100p 200V NP0 5% 5mm		Top
	C215		Variant dependent, see separate list		Top
	C216	47u25V	Capacitor electrolytic 47u 25V 5mm		Top
	C218A		Variant dependent, see separate list		Top
	C218B	-	Not used		Top
	C219A		Variant dependent, see separate list		Top
	C219B	-	Not used		Top
	C220A		Variant dependent, see separate list		Top
	C220B	-	Not used		Top
	C221A		Variant dependent, see separate list		Top
	C221B	-	Not used		Top
	C222		Variant dependent, see separate list		Top
	C223		Variant dependent, see separate list		Top
	C224		Variant dependent, see separate list		Top
	C225	47u25V	Capacitor electrolytic 47u 25V 5mm		Top
	C226	47p100VNP05%5	Capacitor ceramic 47p 100V NP0 5% 5mm		Top
	C227	470p200VNP05%5	Capacitor ceramic 470p 200V NP0 5% 5mm		Top
	C228		Variant dependent, see separate list		Top
	C229	47p100VNP05%5	Capacitor ceramic 47p 100V NP0 5% 5mm		Top
	C230	470p200VNP05%5	Capacitor ceramic 470p 200V NP0 5% 5mm		Top
	C231		Variant dependent, see separate list		Top
	C232		Variant dependent, see separate list		Top
	C233		Variant dependent, see separate list		Top
	C234	-	Not used		Top
	C235	-	Not used		Top
	C236	150p500VK20005%5	Capacitor ceramic 150p 500V K2000 5% 5mm		Top
	C237	150p500VK20005%5	Capacitor ceramic 150p 500V K2000 5% 5mm		Top
	C238		Variant dependent, see separate list		Top
	C401	47u25V	Capacitor electrolytic 47u 25V 5mm		Top
	C402	47u25V	Capacitor electrolytic 47u 25V 5mm		Top
	C403	47u25V	Capacitor electrolytic 47u 25V 5mm		Top
	C404	47u25V	Capacitor electrolytic 47u 25V 5mm		Top
	C405	47u25V	Capacitor electrolytic 47u 25V 5mm		Top
	C406	47u25V	Capacitor electrolytic 47u 25V 5mm		Top
	C407	47u25V	Capacitor electrolytic 47u 25V 5mm		Top
	C408	47u25V	Capacitor electrolytic 47u 25V 5mm		Top
	C500	2200u40V18x30A	Capacitor electrolytic 2200u 40V 18x30mm axial		Top
⚠	C501	4n7Y10	Capacitor 4n7 Y2 metallized paper 10mm		Top
⚠	C502	4n7Y10	Capacitor 4n7 Y2 metallized paper 10mm		Top
⚠	C503	47nX15	Capacitor 47n X2 metallized paper 10mm		Top
	C504	100u50V	Capacitor electrolytic 100u 50V 5mm		Top
	C510	330n63VMMK5	Capacitor polyester 330n 63V MMK 5mm		Top
	D1	1N4004	Diode power 1N4004		Top

	Position	Partnumber	Description	Comment	Side
	D2	1N4004	Diode power 1N4004		Top
	D3	1N4004	Diode power 1N4004		Top
	D4	1N4004	Diode power 1N4004		Top
	D5	LGRN2.5x5LY	Diode LED Green 2.5x5mm lying		Top
	D6	1N4148	Diode signal 1N4148		Top
	D7	1N4148	Diode signal 1N4148		Top
	D8		Variant dependent, see separate list		Top
	D9		Variant dependent, see separate list		Top
	D206	1N4148	Diode signal 1N4148		Top
	D207	1N4148	Diode signal 1N4148		Top
	D208		Variant dependent, see separate list		Top
	D209		Variant dependent, see separate list		Top
	D500	1N4148	Diode signal 1N4148		Top
	D501	15V.4W5%	Diode zener 15V .4W 5%		Top
	D502	1N4148	Diode signal 1N4148		Top
	D503	1N4148	Diode signal 1N4148		Top
	D504		Variant dependent, see separate list		Top
⚠	F1	TA160250-5x20	Fuse slow blow 160mA 250V 5x20mm		Top
⚠	F2-115V	TA315250-5x20	Fuse slow blow 315mA 250V 5x20mm		Top
⚠	F2-230V	TA160250-5x20	Fuse slow blow 160mA 250V 5x20mm		Top
	K1	NC3FA-H2_NEU	Connector XLR 3pole female 90dg NEUTRIK NC3FA-H2		Top
	K2	NC3MA-H_NEU	Connector XLR 3pole male 90dg NEUTRIK NC3MA-H		Top
	K3	NC3MA-H_NEU	Connector XLR 3pole male 90dg NEUTRIK NC3MA-H		Top
	K4		Variant dependent, see separate list		Top
	K201	NC3FA-H2_NEU	Connector XLR 3pole female 90dg NEUTRIK NC3FA-H2		Top
	K202	NC3MA-H_NEU	Connector XLR 3pole male 90dg NEUTRIK NC3MA-H		Top
	K203	NC3MA-H_NEU	Connector XLR 3pole male 90dg NEUTRIK NC3MA-H		Top
	K204		Variant dependent, see separate list		Top
	K500	TBPC3P4M2.5	Terminal block PCB 3pole 4module 2.5mm2		Top
⚠	K500B	MLEU3x.752mBLK	Mains lead EU Plug type CEE7/VII 3x.75mm2 2m Black		Top
	P1	VR10KLIN2_TOK	Potentiometer 10K LIN 2step TOKOS B103 TP96N01 RY5194A		Top
	P2	VR47KLY2X3M	Trimpotentiometer 47K lying 2x3modules		Top
	P3	VR10KLIN2_TOK	Potentiometer 10K LIN 2step TOKOS B103 TP96N01 RY5194A		Top
	P4	VR47KLY2X3M	Trimpotentiometer 47K lying 2x3modules		Top
	P5		Variant dependent, see separate list		Top
	P6		Variant dependent, see separate list		Top
	P201	VR10KLIN2_TOK	Potentiometer 10K LIN 2step TOKOS B103 TP96N01 RY5194A		Top
	P202	VR47KLY2X3M	Trimpotentiometer 47K lying 2x3modules		Top
	P203	VR10KLIN2_TOK	Potentiometer 10K LIN 2step TOKOS B103 TP96N01 RY5194A		Top
	P204	VR47KLY2X3M	Trimpotentiometer 47K lying 2x3modules		Top
	P205		Variant dependent, see separate list		Top
	P206		Variant dependent, see separate list		Top
	Q501	BC337	Transistor bipolar signal BC337		Top
	Q502	BC327	Transistor bipolar signal BC327		Top
	Q505	BC547B	Transistor bipolar signal BC547B		Top
	R1	19K6.7W1%	Resistor Metal Film 19K6.7W1%		Top
	R2	19K6.7W1%	Resistor Metal Film 19K6.7W1%		Top
	R3	19K6.7W1%	Resistor Metal Film 19K6.7W1%		Top
	R4	19K6.7W1%	Resistor Metal Film 19K6.7W1%		Top
	R5	100K.7W1%	Resistor Metal Film 100K.7W1%		Top
	R6	-	Not used		Top
	R7	34K.7W1%	Resistor Metal Film 34K.7W1%		Top

	Position	Partnumber	Description	Comment	Side
	R8	68K.7W1%	Resistor Metal Film 68K.7W1%		Top
	R9	1K.7W1%	Resistor Metal Film 1K.7W1%		Top
	R10	1K.7W1%	Resistor Metal Film 1K.7W1%		Top
	R11	4K.7W1%	Resistor Metal Film 4K.7W1%		Top
	R12	4K.7W1%	Resistor Metal Film 4K.7W1%		Top
	R13	2K.7W1%	Resistor Metal Film 2K.7W1%		Top
	R15	47K.7W1%	Resistor Metal Film 47K.7W1%		Top
	R16	100R.7W1%	Resistor Metal Film 100R.7W1%		Top
	R17	4K7.7W1%	Resistor Metal Film 4K7.7W1%		Top
	R18	10K.7W1%	Resistor Metal Film 10K.7W1%		Top
	R22	100R.7W1%	Resistor Metal Film 100R.7W1%		Top
	R23	22K.25W5%	Resistor Carbon Film 22K.25W5%		Top
	R24	100R.7W1%	Resistor Metal Film 100R.7W1%		Top
	R25	19K6.7W1%	Resistor Metal Film 19K6.7W1%		Top
	R26	6K8.7W1%	Resistor Metal Film 6K8.7W1%		Top
	R27	-	Not used		Top
	R28	6K8.7W1%	Resistor Metal Film 6K8.7W1%		Top
	R29	30K.7W1%	Resistor Metal Film 30K.7W1%		Top
	R30	19K6.7W1%	Resistor Metal Film 19K6.7W1%		Top
	R31		Variant dependent, see separate list		Top
	R32		Variant dependent, see separate list		Top
	R33		Variant dependent, see separate list		Top
	R34		Variant dependent, see separate list		Top
	R35		Variant dependent, see separate list		Top
	R36		Variant dependent, see separate list		Top
	R37		Variant dependent, see separate list		Top
	R38		Variant dependent, see separate list		Top
	R39		Variant dependent, see separate list		Top
	R40		Variant dependent, see separate list		Top
	R41		Variant dependent, see separate list		Top
	R42		Variant dependent, see separate list		Top
	R43		Variant dependent, see separate list		Top
	R44		Variant dependent, see separate list		Top
	R45		Variant dependent, see separate list		Top
	R46		Variant dependent, see separate list		Top
	R47		Variant dependent, see separate list		Top
	R48		Variant dependent, see separate list		Top
	R49		Variant dependent, see separate list		Top
	R50		Variant dependent, see separate list		Top
	R51	-	Not used		Top
	R52	10K.7W1%	Resistor Metal Film 10K.7W1%		Top
	R53	10K.7W1%	Resistor Metal Film 10K.7W1%		Top
	R54	10K.7W1%	Resistor Metal Film 10K.7W1%		Top
	R55	10K.7W1%	Resistor Metal Film 10K.7W1%		Top
	R56	2K.7W1%	Resistor Metal Film 2K.7W1%		Top
	R57	4K.7W1%	Resistor Metal Film 4K.7W1%		Top
	R58	4K.7W1%	Resistor Metal Film 4K.7W1%		Top
	R59	2K.7W1%	Resistor Metal Film 2K.7W1%		Top
	R61	47K.7W1%	Resistor Metal Film 47K.7W1%		Top
	R62	4K7.7W1%	Resistor Metal Film 4K7.7W1%		Top
	R63	4K7.7W1%	Resistor Metal Film 4K7.7W1%		Top
	R67	100R.7W1%	Resistor Metal Film 100R.7W1%		Top
	R68	22K.25W5%	Resistor Carbon Film 22K.25W5%		Top
	R69	100R.7W1%	Resistor Metal Film 100R.7W1%		Top
	R70		Variant dependent, see separate list		Top

	Position	Partnumber	Description	Comment	Side
	R71		Variant dependent, see separate list		Top
	R72	-	Not used		Top
	R73		Variant dependent, see separate list		Top
	R74		Variant dependent, see separate list		Top
	R75		Variant dependent, see separate list		Top
	R76		Variant dependent, see separate list		Top
	R77		Variant dependent, see separate list		Top
	R78		Variant dependent, see separate list		Top
	R79		Variant dependent, see separate list		Top
	R80		Variant dependent, see separate list		Top
	R81		Variant dependent, see separate list		Top
	R82		Variant dependent, see separate list		Top
	R83		Variant dependent, see separate list		Top
	R84		Variant dependent, see separate list		Top
	R85		Variant dependent, see separate list		Top
	R86		Variant dependent, see separate list		Top
	R87		Variant dependent, see separate list		Top
	R88		Variant dependent, see separate list		Top
	R89		Variant dependent, see separate list		Top
	R90		Variant dependent, see separate list		Top
	R91		Variant dependent, see separate list		Top
	R92		Variant dependent, see separate list		Top
	R93		Variant dependent, see separate list		Top
	R94		Variant dependent, see separate list		Top
	R95		Variant dependent, see separate list		Top
	R96	-	Not used		Top
	R97		Variant dependent, see separate list		Top
	R98		Variant dependent, see separate list		Top
	R99		Variant dependent, see separate list		Top
	R100		Variant dependent, see separate list		Top
	R101		Variant dependent, see separate list		Top
	R102		Variant dependent, see separate list		Top
	R103		Variant dependent, see separate list		Top
	R104		Variant dependent, see separate list		Top
	R106		Variant dependent, see separate list		Top
	R107		Variant dependent, see separate list		Top
	R108		Variant dependent, see separate list		Top
	R112		Variant dependent, see separate list		Top
	R113		Variant dependent, see separate list		Top
	R114		Variant dependent, see separate list		Top
	R201	19K6.7W1%	Resistor Metal Film 19K6.7W1%		Top
	R202	19K6.7W1%	Resistor Metal Film 19K6.7W1%		Top
	R203	19K6.7W1%	Resistor Metal Film 19K6.7W1%		Top
	R204	19K6.7W1%	Resistor Metal Film 19K6.7W1%		Top
	R205	100K.7W1%	Resistor Metal Film 100K.7W1%		Top
	R206	-	Not used		Top
	R207	34K.7W1%	Resistor Metal Film 34K.7W1%		Top
	R208	68K.7W1%	Resistor Metal Film 68K.7W1%		Top
	R209	1K.7W1%	Resistor Metal Film 1K.7W1%		Top
	R210	1K.7W1%	Resistor Metal Film 1K.7W1%		Top
	R211	4K.7W1%	Resistor Metal Film 4K.7W1%		Top
	R212	4K.7W1%	Resistor Metal Film 4K.7W1%		Top
	R213	2K.7W1%	Resistor Metal Film 2K.7W1%		Top
	R215	47K.7W1%	Resistor Metal Film 47K.7W1%		Top
	R216	100R.7W1%	Resistor Metal Film 100R.7W1%		Top

	Position	Partnumber	Description	Comment	Side
	R217	4K7.7W1%	Resistor Metal Film 4K7.7W1%		Top
	R218	10K.7W1%	Resistor Metal Film 10K.7W1%		Top
	R222	100R.7W1%	Resistor Metal Film 100R.7W1%		Top
	R223	22K.25W5%	Resistor Carbon Film 22K.25W5%		Top
	R224	100R.7W1%	Resistor Metal Film 100R.7W1%		Top
	R225	19K6.7W1%	Resistor Metal Film 19K6.7W1%		Top
	R226	6K8.7W1%	Resistor Metal Film 6K8.7W1%		Top
	R227	-	Not used		Top
	R228	6K8.7W1%	Resistor Metal Film 6K8.7W1%		Top
	R229	30K.7W1%	Resistor Metal Film 30K.7W1%		Top
	R230	19K6.7W1%	Resistor Metal Film 19K6.7W1%		Top
	R231		Variant dependent, see separate list		Top
	R232		Variant dependent, see separate list		Top
	R233		Variant dependent, see separate list		Top
	R234		Variant dependent, see separate list		Top
	R235		Variant dependent, see separate list		Top
	R236		Variant dependent, see separate list		Top
	R237		Variant dependent, see separate list		Top
	R238		Variant dependent, see separate list		Top
	R239		Variant dependent, see separate list		Top
	R240		Variant dependent, see separate list		Top
	R241		Variant dependent, see separate list		Top
	R242		Variant dependent, see separate list		Top
	R243		Variant dependent, see separate list		Top
	R244		Variant dependent, see separate list		Top
	R245		Variant dependent, see separate list		Top
	R246		Variant dependent, see separate list		Top
	R247		Variant dependent, see separate list		Top
	R248		Variant dependent, see separate list		Top
	R249		Variant dependent, see separate list		Top
	R250		Variant dependent, see separate list		Top
	R251	-	Not used		Top
	R252	10K.7W1%	Resistor Metal Film 10K.7W1%		Top
	R253	10K.7W1%	Resistor Metal Film 10K.7W1%		Top
	R254	10K.7W1%	Resistor Metal Film 10K.7W1%		Top
	R255	10K.7W1%	Resistor Metal Film 10K.7W1%		Top
	R256	2K.7W1%	Resistor Metal Film 2K.7W1%		Top
	R257	4K.7W1%	Resistor Metal Film 4K.7W1%		Top
	R258	4K.7W1%	Resistor Metal Film 4K.7W1%		Top
	R259	2K.7W1%	Resistor Metal Film 2K.7W1%		Top
	R261	47K.7W1%	Resistor Metal Film 47K.7W1%		Top
	R262	4K7.7W1%	Resistor Metal Film 4K7.7W1%		Top
	R263	4K7.7W1%	Resistor Metal Film 4K7.7W1%		Top
	R267	100R.7W1%	Resistor Metal Film 100R.7W1%		Top
	R268	22K.25W5%	Resistor Carbon Film 22K.25W5%		Top
	R269	100R.7W1%	Resistor Metal Film 100R.7W1%		Top
	R270		Variant dependent, see separate list		Top
	R271		Variant dependent, see separate list		Top
	R272	-	Not used		Top
	R273		Variant dependent, see separate list		Top
	R274		Variant dependent, see separate list		Top
	R275		Variant dependent, see separate list		Top
	R276		Variant dependent, see separate list		Top
	R277		Variant dependent, see separate list		Top
	R278		Variant dependent, see separate list		Top

	Position	Partnumber	Description	Comment	Side
	R279		Variant dependent, see separate list		Top
	R280		Variant dependent, see separate list		Top
	R281		Variant dependent, see separate list		Top
	R282		Variant dependent, see separate list		Top
	R283		Variant dependent, see separate list		Top
	R284		Variant dependent, see separate list		Top
	R285		Variant dependent, see separate list		Top
	R286		Variant dependent, see separate list		Top
	R287		Variant dependent, see separate list		Top
	R288		Variant dependent, see separate list		Top
	R289		Variant dependent, see separate list		Top
	R290		Variant dependent, see separate list		Top
	R291		Variant dependent, see separate list		Top
	R292		Variant dependent, see separate list		Top
	R293		Variant dependent, see separate list		Top
	R294		Variant dependent, see separate list		Top
	R295		Variant dependent, see separate list		Top
	R296	-	Not used		Top
	R297		Variant dependent, see separate list		Top
	R298		Variant dependent, see separate list		Top
	R299		Variant dependent, see separate list		Top
	R300		Variant dependent, see separate list		Top
	R301		Variant dependent, see separate list		Top
	R302		Variant dependent, see separate list		Top
	R303		Variant dependent, see separate list		Top
	R304		Variant dependent, see separate list		Top
	R306		Variant dependent, see separate list		Top
	R307		Variant dependent, see separate list		Top
	R308		Variant dependent, see separate list		Top
	R312		Variant dependent, see separate list		Top
	R313		Variant dependent, see separate list		Top
	R314		Variant dependent, see separate list		Top
	R500	100R.7W1%	Resistor Metal Film 100R.7W1%		Top
	R501	100R.7W1%	Resistor Metal Film 100R.7W1%		Top
	R502	2K2.25W5%	Resistor Carbon Film 2K2.25W5%		Top
	R503	10K.7W1%	Resistor Metal Film 10K.7W1%		Top
	R504	10K.7W1%	Resistor Metal Film 10K.7W1%		Top
	R505	33R.25W5%	Resistor Carbon Film 33R.25W5%		Top
	R506	33R.25W5%	Resistor Carbon Film 33R.25W5%		Top
	R507	100R.7W1%	Resistor Metal Film 100R.7W1%		Top
	R508		Variant dependent, see separate list		Top
	R510	19K6.7W1%	Resistor Metal Film 19K6.7W1%		Top
	R511	4K7.7W1%	Resistor Metal Film 4K7.7W1%		Top
	R512	220R.7W1%	Resistor Metal Film 220R.7W1%		Top
	R600	-	Not used		Top
	RE1	PCDPCO1A24V	Relay PCB double pole change over 1A 24V		Top
	RE2	PCDPCO1A24V	Relay PCB double pole change over 1A 24V		Top
	RE3		Variant dependent, see separate list		Top
	S1	D11-1_EPC	Switch DIL single pole double through EPCOS C42315A1347-A212		Top
	S2		Variant dependent, see separate list		Top
	S3	D11-1_EPC	Switch DIL single pole double through EPCOS C42315A1347-A212		Top
	S4	D11-1_EPC	Switch DIL single pole double through EPCOS C42315A1347-A212		Top
	S5	SPPJ32F29A_ALP	Switch inter locking PCB DPDT ALPS SPPJ32F29A		Top

	Position	Partnumber	Description	Comment	Side
	S6	SPPJ32F29A_ALP	Switch inter locking PCB DPDT ALPS SPPJ32F29A		Top
	S7		Variant dependent, see separate list		Top
	S8	RDHEX	Switch rotary DIL HEX		Top
	S9	RDHEX	Switch rotary DIL HEX		Top
	S10	RDHEX	Switch rotary DIL HEX		Top
	S11	RDHEX	Switch rotary DIL HEX		Top
	S12		Variant dependent, see separate list		Top
	S13		Variant dependent, see separate list		Top
	S14		Variant dependent, see separate list		Top
	S15		Variant dependent, see separate list		Top
	S16		Variant dependent, see separate list		Top
	S201	D11-1_EPC	Switch DIL single pole double through EPCOS C42315A1347-A212		Top
	S202		Variant dependent, see separate list		Top
	S203	D11-1_EPC	Switch DIL single pole double through EPCOS C42315A1347-A212		Top
	S205	SPPJ32F29A_ALP	Switch inter locking PCB DPDT ALPS SPPJ32F29A		Top
	S206	SPPJ32F29A_ALP	Switch inter locking PCB DPDT ALPS SPPJ32F29A		Top
	S207		Variant dependent, see separate list		Top
	S208	RDHEX	Switch rotary DIL HEX		Top
	S209	RDHEX	Switch rotary DIL HEX		Top
	S210	RDHEX	Switch rotary DIL HEX		Top
	S211	RDHEX	Switch rotary DIL HEX		Top
	S212		Variant dependent, see separate list		Top
	S213		Variant dependent, see separate list		Top
	S214		Variant dependent, see separate list		Top
	S215		Variant dependent, see separate list		Top
	S216		Variant dependent, see separate list		Top
⚠	S501	RK2-0-10A15x21	Switch Rocker Double Pole Single Trough on - off 10A 15x21mm		Top
	T1	-	Not used		Top
⚠	T3	6W4x7.5V23x44x53	Transformer PCB 6W 4x7.5V 23x44x53mm		Top
	T201	-	Not used		Top
	U1	NE5532	IC Operational amplifier NE5532		Top
	U2	LF353	IC Operational amplifier LF353		Top
	U3	LF353	IC Operational amplifier LF353		Top
	U4		Variant dependent, see separate list		Top
	U5	LF353	IC Operational amplifier LF353		Top
	U6	LF353	IC Operational amplifier LF353		Top
	U7	LF353	IC Operational amplifier LF353		Top
	U8		Variant dependent, see separate list		Top
	U9		Variant dependent, see separate list		Top
	U10		Variant dependent, see separate list		Top
	U11	NE5532	IC Operational amplifier NE5532		Top
	U12	NE5532	IC Operational amplifier NE5532		Top
	U13		Variant dependent, see separate list		Top
	U201	NE5532	IC Operational amplifier NE5532		Top
	U205	LF353	IC Operational amplifier LF353		Top
	U206	LF353	IC Operational amplifier LF353		Top
	U207	LF353	IC Operational amplifier LF353		Top
	U208		Variant dependent, see separate list		Top
	U209		Variant dependent, see separate list		Top
	U210		Variant dependent, see separate list		Top
	U500	UA741	IC Operational amplifier UA741		Top

Variant specific components

	Position	ACNC-2C	ACNC-2S	ACNC-3C
	C10A	220n63VMMK5	330n63VMMK5	330n63VMMK5
	C10B	-	-	100n63VMMK5
	C11A	220n63VMMK5	330n63VMMK5	330n63VMMK5
	C11B	-	-	100n63VMMK5
	C12A	220n63VMMK5	330n63VMMK5	330n63VMMK5
	C12B	-	-	100n63VMMK5
	C13A	220n63VMMK5	330n63VMMK5	330n63VMMK5
	C13B	-	-	100n63VMMK5
	C15	680p400VK20005%5	680p400VK20005%5	6n8250VMMK5
	C18A	-	-	68n63VMMK5
	C19A	-	-	68n63VMMK5
	C20A	-	-	68n63VMMK5
	C21A	-	-	68n63VMMK5
	C22	-	-	100p200VNP05%5
	C23	-	-	680p400VK20005%5
	C24	-	-	47u25V
	C28	-	-	47u25V
	C31	-	-	47u25V
	C32	-	-	47p100VNP05%5
	C33	-	-	470p200VNP05%5
	C38	-	-	150p500VK20005%5
	C210A	220n63VMMK5	330n63VMMK5	330n63VMMK5
	C210B	-	-	100n63VMMK5
	C211A	220n63VMMK5	330n63VMMK5	330n63VMMK5
	C211B	-	-	100n63VMMK5
	C212A	220n63VMMK5	330n63VMMK5	330n63VMMK5
	C212B	-	-	100n63VMMK5
	C213A	220n63VMMK5	330n63VMMK5	330n63VMMK5
	C213B	-	-	100n63VMMK5
	C215	680p400VK20005%5	680p400VK20005%5	6n8250VMMK5
	C218A	-	-	68n63VMMK5
	C219A	-	-	68n63VMMK5
	C220A	-	-	68n63VMMK5
	C221A	-	-	68n63VMMK5
	C222	-	-	100p200VNP05%5
	C223	-	-	680p400VK20005%5
	C224	-	-	47u25V
	C228	-	-	47u25V
	C231	-	-	47u25V
	C232	-	-	47p100VNP05%5
	C233	-	-	470p200VNP05%5
	C238	-	-	150p500VK20005%5
	D8	-	-	1N4148
	D9	-	-	1N4148
	D208	-	-	1N4148
	D209	-	-	1N4148
	D504	-	-	1N4148
	K4	-	-	NC3MA-H_NEU
	K204	-	-	NC3MA-H_NEU

	Position	ACNC-2C	ACNC-2S	ACNC-3C
	P5	-	-	VR10KLIN2_TOK
	P6	-	-	VR47KLY2X3M
	P205	-	-	VR10KLIN2_TOK
	P206	-	-	VR47KLY2X3M
	R31	10K.7W1%	12K.7W1%	4K7.7W1%
	R32	7K87.7W1%	60K4.7W1%	7K87.7W1%
	R33	4K.7W1%	30K.7W1%	4K.7W1%
	R34	2K.7W1%	15K.7W1%	2K.7W1%
	R35	1K.7W1%	7K5.7W1%	1K.7W1%
	R36	10K.7W1%	12K.7W1%	4K7.7W1%
	R37	7K87.7W1%	60K4.7W1%	7K87.7W1%
	R38	4K.7W1%	30K.7W1%	4K.7W1%
	R39	2K.7W1%	15K.7W1%	2K.7W1%
	R40	1K.7W1%	7K5.7W1%	1K.7W1%
	R41	10K.7W1%	12K.7W1%	4K7.7W1%
	R42	7K87.7W1%	60K4.7W1%	7K87.7W1%
	R43	4K.7W1%	30K.7W1%	4K.7W1%
	R44	2K.7W1%	15K.7W1%	2K.7W1%
	R45	1K.7W1%	7K5.7W1%	1K.7W1%
	R46	10K.7W1%	12K.7W1%	4K7.7W1%
	R47	7K87.7W1%	60K4.7W1%	7K87.7W1%
	R48	4K.7W1%	30K.7W1%	4K.7W1%
	R49	2K.7W1%	15K.7W1%	2K.7W1%
	R50	1K.7W1%	7K5.7W1%	1K.7W1%
	R70	-	-	19K6.7W1%
	R71	-	-	6K8.7W1%
	R73	-	-	6K8.7W1%
	R74	-	-	30K.7W1%
	R75	-	-	19K6.7W1%
	R76	-	-	4K7.7W1%
	R77	-	-	7K87.7W1%
	R78	-	-	4K.7W1%
	R79	-	-	2K.7W1%
	R80	-	-	1K.7W1%
	R81	-	-	4K7.7W1%
	R82	-	-	7K87.7W1%
	R83	-	-	4K.7W1%
	R84	-	-	2K.7W1%
	R85	-	-	1K.7W1%
	R86	-	-	4K7.7W1%
	R87	-	-	7K87.7W1%
	R88	-	-	4K.7W1%
	R89	-	-	2K.7W1%
	R90	-	-	1K.7W1%
	R91	-	-	4K7.7W1%
	R92	-	-	7K87.7W1%
	R93	-	-	4K.7W1%
	R94	-	-	2K.7W1%
	R95	-	-	1K.7W1%
	R97	-	-	10K.7W1%

	Position	ACNC-2C	ACNC-2S	ACNC-3C
	R98	-	-	10K.7W1%
	R99	-	-	10K.7W1%
	R100	-	-	10K.7W1%
	R101	-	-	2K.7W1%
	R102	-	-	4K.7W1%
	R103	-	-	4K.7W1%
	R104	-	-	2K.7W1%
	R106	-	-	47K.7W1%
	R107	-	-	4K7.7W1%
	R108	-	-	4K7.7W1%
	R112	-	-	100R.7W1%
	R113	-	-	22K.25W5%
	R114	-	-	100R.7W1%
	R231	10K.7W1%	12K.7W1%	4K7.7W1%
	R232	7K87.7W1%	60K4.7W1%	7K87.7W1%
	R233	4K.7W1%	30K.7W1%	4K.7W1%
	R234	2K.7W1%	15K.7W1%	2K.7W1%
	R235	1K.7W1%	7K5.7W1%	1K.7W1%
	R236	10K.7W1%	12K.7W1%	4K7.7W1%
	R237	7K87.7W1%	60K4.7W1%	7K87.7W1%
	R238	4K.7W1%	30K.7W1%	4K.7W1%
	R239	2K.7W1%	15K.7W1%	2K.7W1%
	R240	1K.7W1%	7K5.7W1%	1K.7W1%
	R241	10K.7W1%	12K.7W1%	4K7.7W1%
	R242	7K87.7W1%	60K4.7W1%	7K87.7W1%
	R243	4K.7W1%	30K.7W1%	4K.7W1%
	R244	2K.7W1%	15K.7W1%	2K.7W1%
	R245	1K.7W1%	7K5.7W1%	1K.7W1%
	R246	10K.7W1%	12K.7W1%	4K7.7W1%
	R247	7K87.7W1%	60K4.7W1%	7K87.7W1%
	R248	4K.7W1%	30K.7W1%	4K.7W1%
	R249	2K.7W1%	15K.7W1%	2K.7W1%
	R250	1K.7W1%	7K5.7W1%	1K.7W1%
	R270	-	-	19K6.7W1%
	R271	-	-	6K8.7W1%
	R273	-	-	6K8.7W1%
	R274	-	-	30K.7W1%
	R275	-	-	19K6.7W1%
	R276	-	-	4K7.7W1%
	R277	-	-	7K87.7W1%
	R278	-	-	4K.7W1%
	R279	-	-	2K.7W1%
	R280	-	-	1K.7W1%
	R281	-	-	4K7.7W1%
	R282	-	-	7K87.7W1%
	R283	-	-	4K.7W1%
	R284	-	-	2K.7W1%
	R285	-	-	1K.7W1%
	R286	-	-	4K7.7W1%
	R287	-	-	7K87.7W1%

	Position	ACNC-2C	ACNC-2S	ACNC-3C
	R288	-	-	4K.7W1%
	R289	-	-	2K.7W1%
	R290	-	-	1K.7W1%
	R291	-	-	4K7.7W1%
	R292	-	-	7K87.7W1%
	R293	-	-	4K.7W1%
	R294	-	-	2K.7W1%
	R295	-	-	1K.7W1%
	R297	-	-	10K.7W1%
	R298	-	-	10K.7W1%
	R299	-	-	10K.7W1%
	R300	-	-	10K.7W1%
	R301	-	-	2K.7W1%
	R302	-	-	4K.7W1%
	R303	-	-	4K.7W1%
	R304	-	-	2K.7W1%
	R306	-	-	47K.7W1%
	R307	-	-	4K7.7W1%
	R308	-	-	4K7.7W1%
	R312	-	-	100R.7W1%
	R313	-	-	22K.25W5%
	R314	-	-	100R.7W1%
	R508	27R.7W1%	27R.7W1%	R04M.6
	RE3	-	-	PCDPCO1A24V
	S2	R03M.6	R03M.6	DI1-1_EPC
	S7	-	-	SPPJ32F29A_ALP
	S12	-	-	RDHEX
	S13	-	-	RDHEX
	S14	-	-	RDHEX
	S15	-	-	RDHEX
	S16	R03M.6	R03M.6	DI1-1_EPC
	S202	R03M.6	R03M.6	DI1-1_EPC
	S207	-	-	SPPJ32F29A_ALP
	S212	-	-	RDHEX
	S213	-	-	RDHEX
	S214	-	-	RDHEX
	S215	-	-	RDHEX
	S216	R03M.6	R03M.6	DI1-1_EPC
	U4	-	-	LF353
	U8	-	-	LF353
	U9	-	-	LF353
	U10	-	-	LF353
	U13	-	-	NE5532
	U208	-	-	LF353
	U209	-	-	LF353
	U210	-	-	LF353

Description for variant dependent components

Partnumber	Description
100n63VMMK5	Capacitor polyester 100n 63V MMK 5mm

100p200VNP05%5	Capacitor ceramic 100p 200V NP0 5% 5mm
100R.7W1%	Resistor Metal Film 100R.7W1%
10K.7W1%	Resistor Metal Film 10K.7W1%
12K.7W1%	Resistor Metal Film 12K.7W1%
150p500VK20005%5	Capacitor ceramic 150p 500V K2000 5% 5mm
15K.7W1%	Resistor Metal Film 15K.7W1%
19K6.7W1%	Resistor Metal Film 19K6.7W1%
1K.7W1%	Resistor Metal Film 1K.7W1%
1N4148	Diode signal 1N4148
220n63VMMK5	Capacitor polyester 220n 63V MMK 5mm
22K.25W5%	Resistor Carbon Film 22K.25W5%
27R.7W1%	Resistor Metal Film 27R.7W1%
2K.7W1%	Resistor Metal Film 2K.7W1%
30K.7W1%	Resistor Metal Film 30K.7W1%
330n63VMMK5	Capacitor polyester 330n 63V MMK 5mm
470p200VNP05%5	Capacitor ceramic 470p 200V NP0 5% 5mm
47K.7W1%	Resistor Metal Film 47K.7W1%
47p100VNP05%5	Capacitor ceramic 47p 100V NP0 5% 5mm
47u25V	Capacitor electrolytic 47u 25V 5mm
4K.7W1%	Resistor Metal Film 4K.7W1%
4K7.7W1%	Resistor Metal Film 4K7.7W1%
60K4.7W1%	Resistor Metal Film 60K4.7W1%
680p400VK20005%5	Capacitor ceramic 680p 400V K2000 5% 5mm
68n63VMMK5	Capacitor polyester 68n 63V MMK 5mm
6K8.7W1%	Resistor Metal Film 6K8.7W1%
6n8250VMMK5	Capacitor polyester 6n8 250V MMK 5mm
7K5.7W1%	Resistor Metal Film 7K5.7W1%
7K87.7W1%	Resistor Metal Film 7K87.7W1%
DI1-1_EPC	Switch DIL single pole double through EPCOS C42315A1347-A212
LF353	IC Operational amplifier LF353
NC3MA-H_NEU	Connector XLR 3pole male 90dg NEUTRIK NC3MA-H
NE5532	IC Operational amplifier NE5532
PCDPCO1A24V	Relay PCB double pole change over 1A 24V
R03M.6	Resistor jumper 0R 3modules D.6mm
R04M.6	Resistor jumper 0R 4modules D.6mm
RDHEX	Switch rotary DIL HEX
SPPJ32F29A_ALP	Switch inter locking PCB DPDT ALPS SPPJ32F29A
VR10KLIN2_TOK	Potentiometer 10K LIN 2step TOKOS B103 TP96N01 RY5194A
VR47KLY2X3M	Trimpotentiometer 47K lying 2x3modules

Sparepart list for ACN-C

Mecanical parts

Partnumber	Description
TCACNC	Top cover
BCACNC	Bottom cover
FP-ACN2C	Front panel ACN 2C
FP-ACN2S	Front panel ACN 2S
FP-ACN3C	Front panel ACN 3C
RP-ACN2C	Rear panel ACN 2C
RP-ACN2S	Rear panel ACN 2S
RP-ACN3C	Rear panel ACN 3C
SPACNC	Side panel
KNBD18.5_TAI	Level potentiometer knob
KNB5x5GRY	Mute switch knob

Screws

Partnumber	Description
MK6S3x10SV	Hexagon socket screw, button head, M3x10, black
RTS-HST2.9x9.5SV	Self tapping screw, pan head, torx, 2.9x9.5mm, black
RXS-HST2.9x6.5SV	Self tapping screw, pan head, phillips, 2.9x6.5mm, black
RXS-HST3.5x13SV	Self tapping screw, pan head, phillips, 3.5x13mm, black