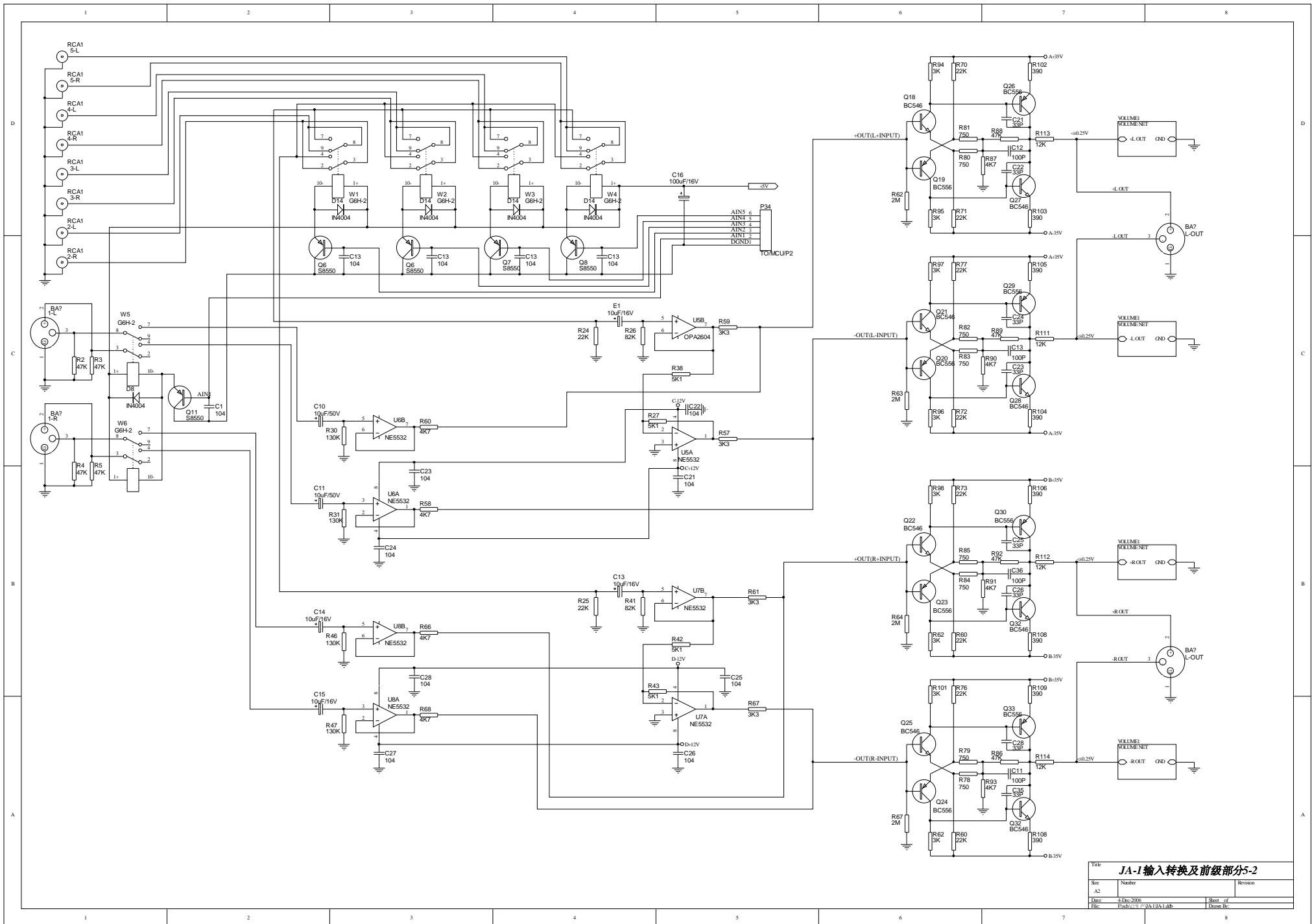
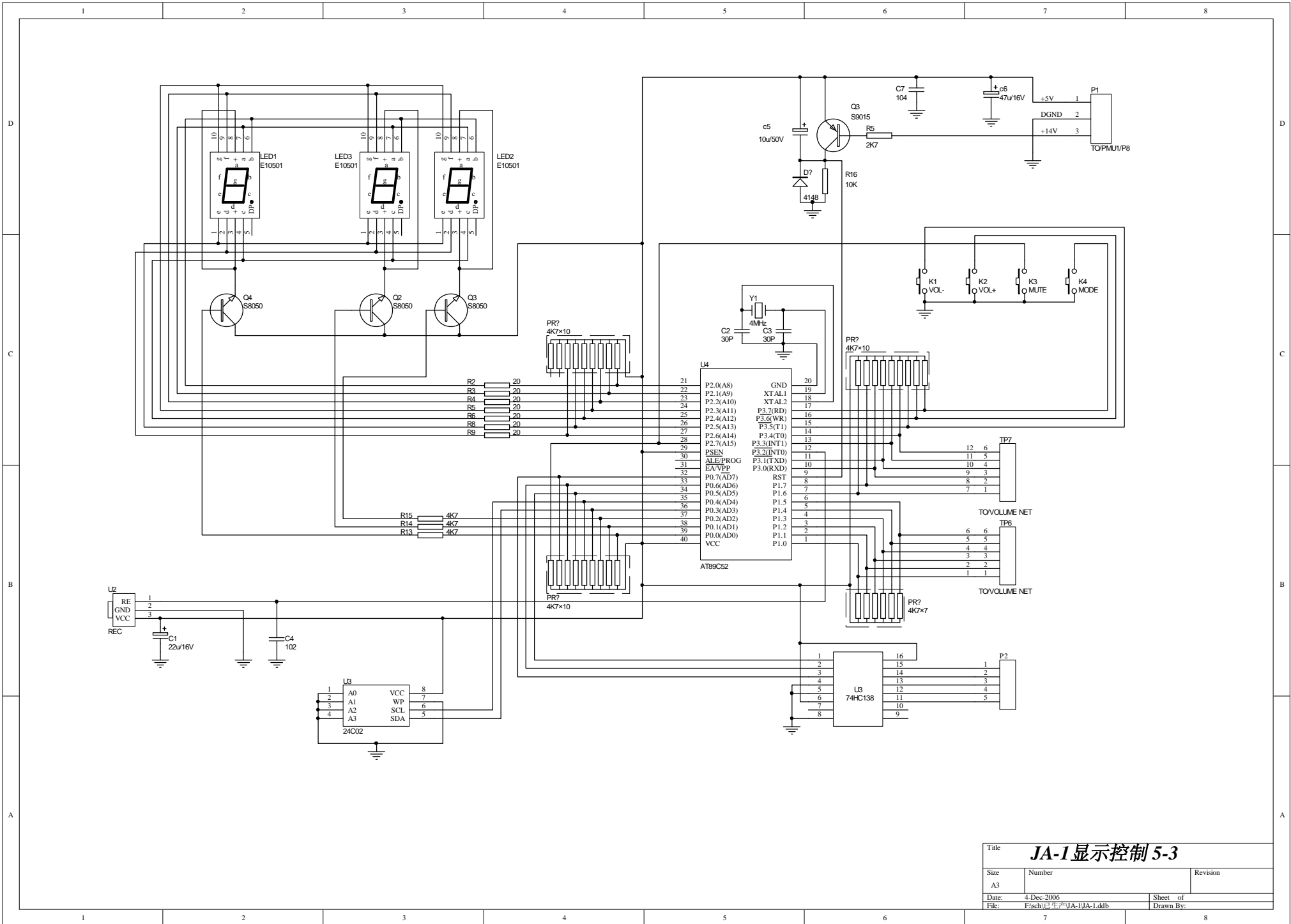


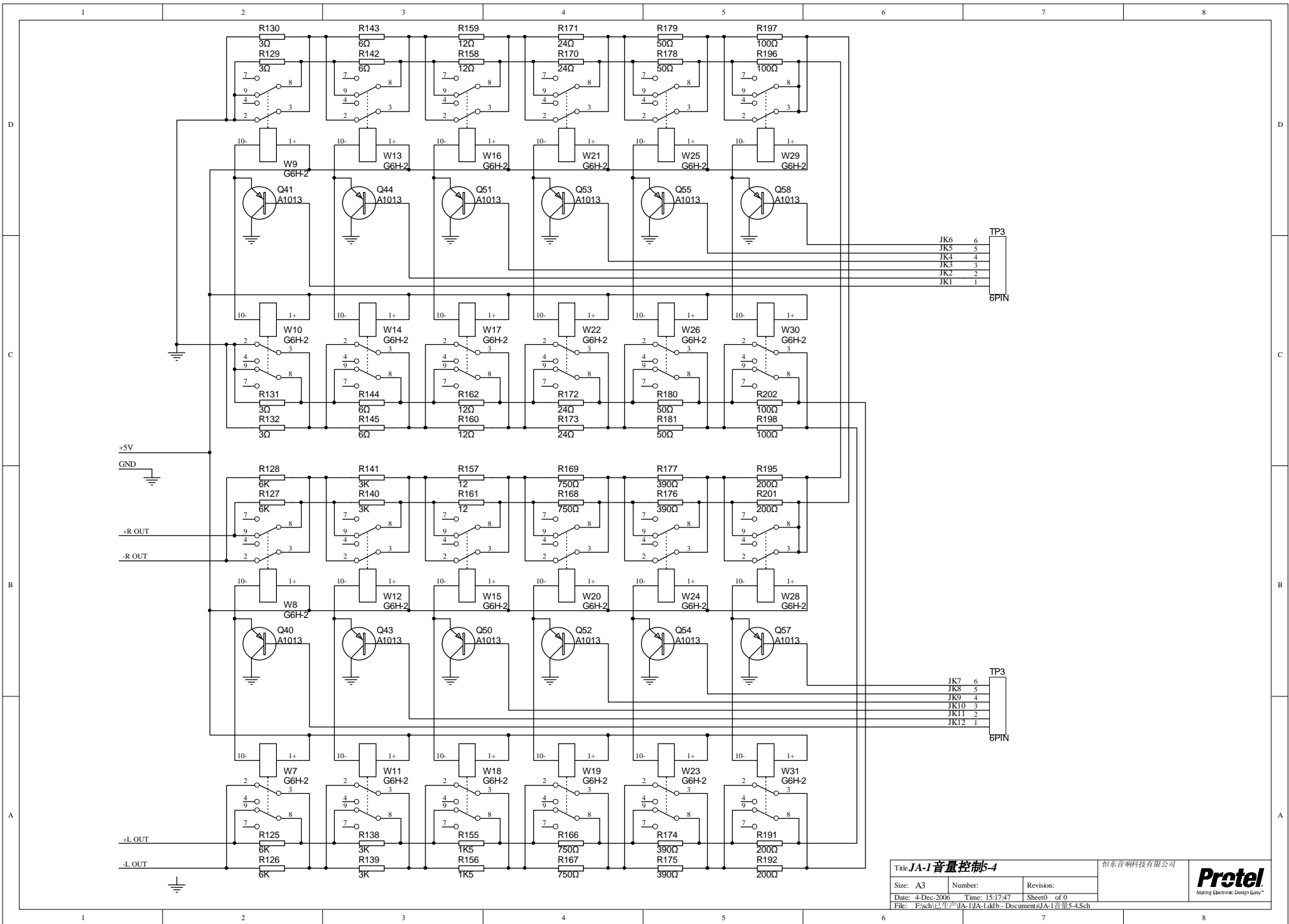
Title: JA-1 电源 5-1			
Size	Number	Revision	
A2			
Date: 4 Dec 2006	Sheet: 1 of 1		Draw: Bc
File: D:\pcb\177\JA1\1\1.dtb			



Title			JA-1输入转换及前级部分5-2		
Size	Number	Revision			
A2					
Date	4 Dec 2006	Sheet	of		
File	Posh-1-7-1A11A1.dtb	Drawn	by		



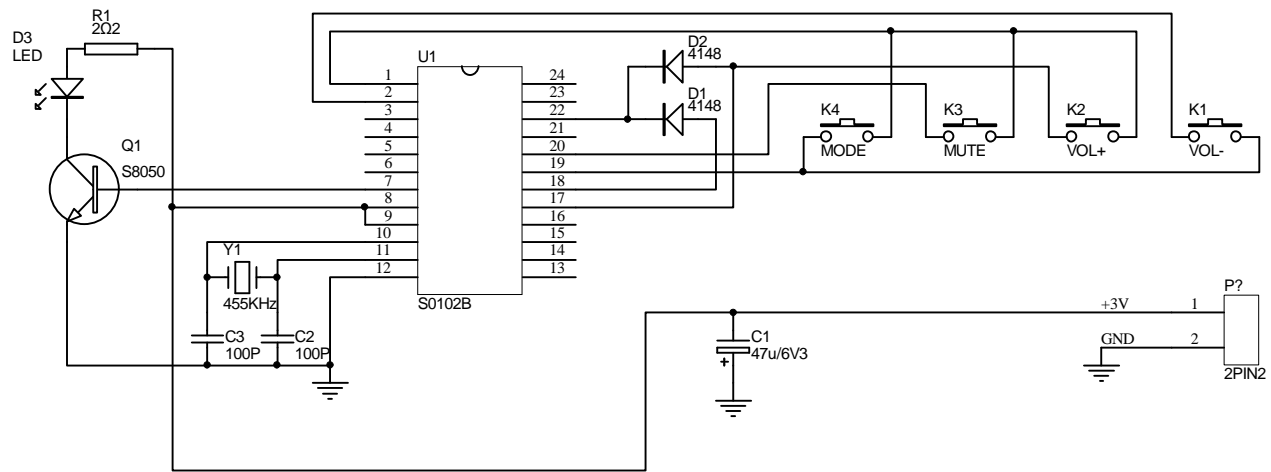
Title: JA-1显示控制 5-3		
Size: A3	Number:	Revision:
Date: 4-Dec-2006	Sheet of:	Drawn By:
File: F:\sch\工程\JA-1\JA-1.dtb		



Title: JA-1 音量控制5-4		
Size: A3	Number:	Revision:
Date: 4-Dec-2006	Time: 15:17:47	Sheet0 of 0
File: F:\sch\生产\JA-1\JA-1.dtb - Documents\JA-1音量5-4.Sch		

恒东音响科技有限公司





Title		
JA-1遥控器5-5		
Size	Number	Revision
A4		
Date:	4-Dec-2006	Sheet of
File:	F:\sch\已生产\JA-1\JA-1.ddb	Drawn By: