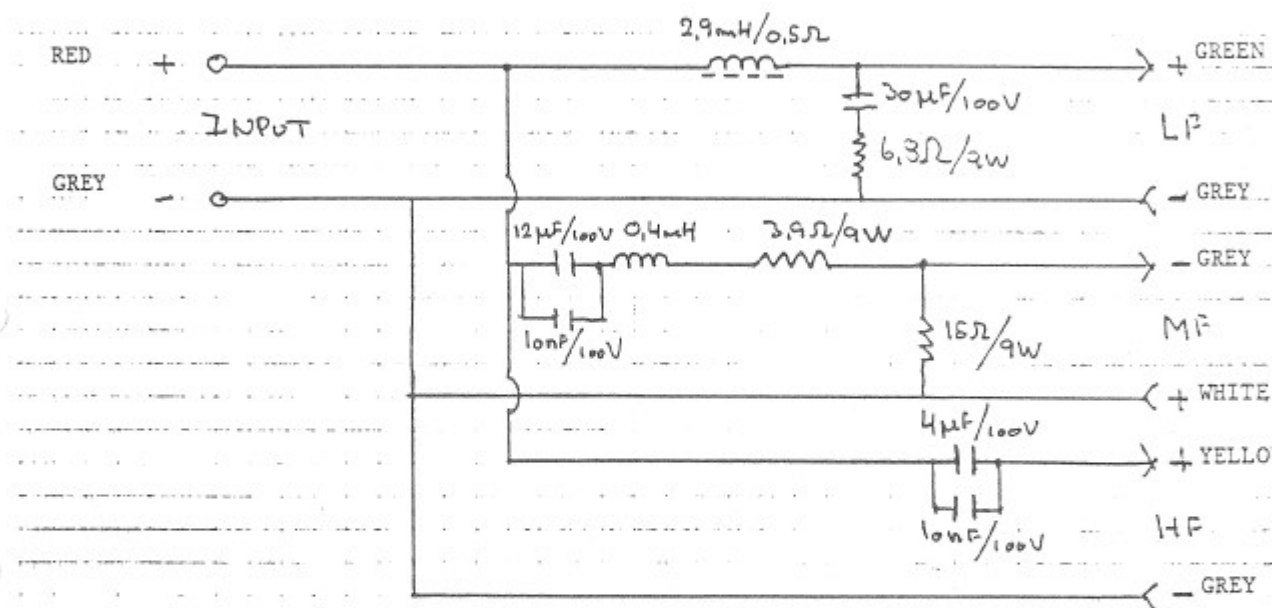


NTLX6

CROSSOVER NETWORK AND PARTS LIST:

JBL TLX6



TYPE:

1 pc	4 uF-100V, alum.
1 pc	12 uF-100V, alum.
1 pc	30 uF-100V, alum.
2 pcs	10 NF-100V, Polypropolyne
1 pc	3.9 ohm - 9W
1 pc	6.8 ohm - 9W
1 pc	15 ohm - 9W
1 pc	0.4 MH
1 pc	2.9 MH
1 pc	Twin wire, red/grey
1 pc	Twin wire, green/grey
1 pc	Twin wire, white/grey
1 pc	Twin wire, yellow/grey
1 pc	Print 30127

OUR INDEX NO.

505.030
505.039
505.047
505.076
630.024
630.026
630.029
680.010
680.034
175.012
175.014
175.023
175.024
261.015