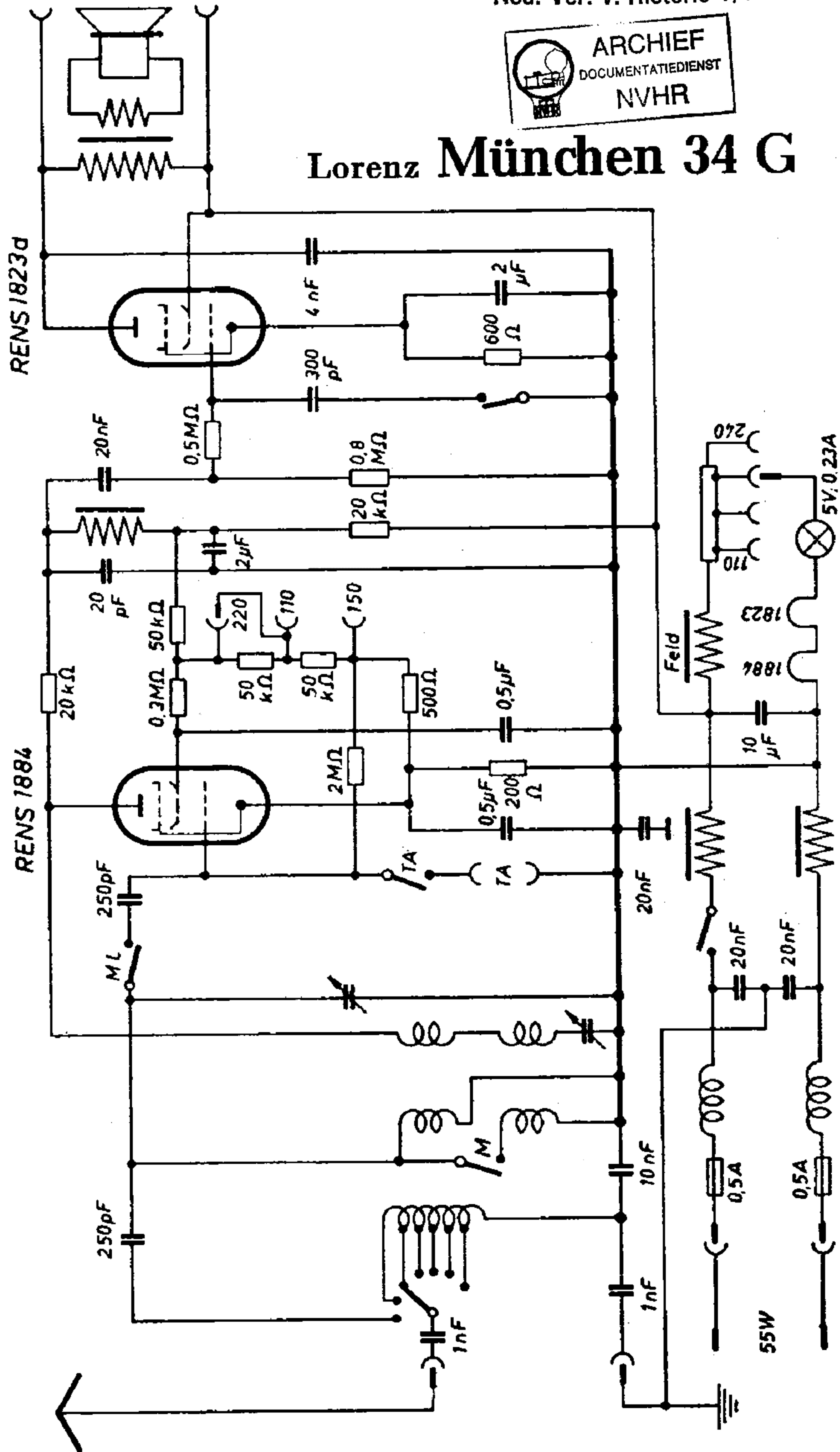




# Lorenz München 34 G



RENS 1823d

RENS 1884

55W

5V 0.23A