

SERVICE

MANUAL

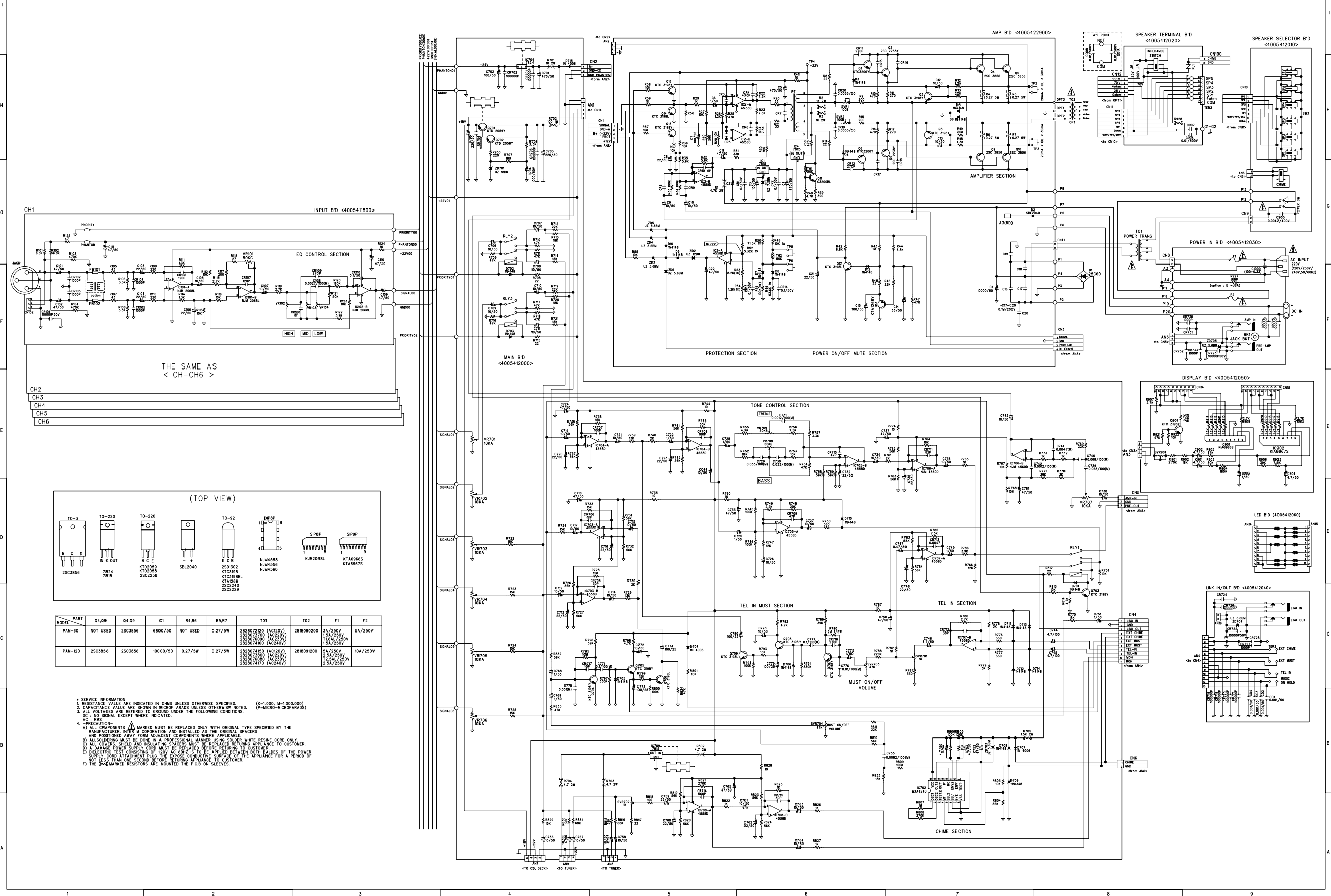
AMPLIFIER

PAM-60/120

interM

| | | | | | | | |
|---------------|----------|-----------|-------------------------|-------|---------|----------|------|
| COMPANY | INTER.M | APPLICANT | REVISED NUMBER AND DATE | DRAWN | CHECKED | APPROVED | NOTE |
| TYPE CODE | | | 1. 14. 17. | | | | |
| APPROVED DATE | 03.12.17 | | 2. 5. 8. | | | | |
| | | | 3. 6. 9. | | | | |

SIZE SHEET NO. A1 1/1
 WIRING DIAGRAM
 MODEL : PAM-60/120



ELECTRICAL PARTS LIST (PAM-60/120)

| Ref No. | Part No. | Description | Value | Qty | Remark |
|--|--------------------------|-------------------------------------|---------------|-----|--------|
| MAIN P.C. Board (4005412000) | | | | | |
| IC709 | 2168640988 7505299340 | IC 7815 SAMSUNG HEAT SINK EQ-131 | 7815 45MM | 1 | |
| IC701 | 2128610400 7505299340 | IC 7824 COMMON HEAT SINK EQ-131 | 7824 45MM | 1 | |
| CN13 | 4428592520 | WAFER BOX TPHB03-1419-20A | LW20P | 1 | |
| CN2 | 4428595004 | LW5267/LWB0640/2.5MM-04P | MH5264 | 1 | |
| AN7 | 4428595005 | LW5267/LWB0640/2.5MM-05P | MH5264 | 1 | |
| IC702 | 2128740208 | IC BXA 4240 | BXA4240 | 1 | |
| CR713 | 3539472331-A | CAP CE X 4700PF 16V M AXIAL | 0.0047 | 1 | |
| CR701-704 | 3529104531-A | CAP CE F 100000PF 50V Z | 100000P | 4 | |
| CR707-708 | 3509101231-A | CAP CE B 100PF 50V K AXIAL | 100P | 2 | |
| CR717 | 3529100311-A | CAP CE SL 10PF 50V J AXIAL | 10P | 1 | |
| CR716 | 3509271231-A | CAP CE B 270PF 50V K AXIAL | 270P | 1 | |
| CR705-706 CR712 CR715 | 3529300311-A | CAP CE SL 30PF 50V J AXIAL | 30P | 4 | |
| CR709-710 | 3529470311-A | CAP CE SL 47PF 50V J AXIAL | 47P | 2 | |
| CR714 | 3509561231-A | CAP CE B 560PF 50V K AXIAL | 560P | 1 | |
| CR711 | 3509820231-A | CAP CE B 82PF 50V K AXIAL | 82P | 1 | |
| CN5 | 4428595003 | LW5267/LWB0640/2.5MM-03P | 5267-03A | 1 | |
| AN1 | 4355856210 | CON ASSY 5P | CON5P | 1 | |
| AN8-9 | 4428598304 | WAFER LW-0640-4P | WAF04P | 2 | |
| D704 D707 D715 | 2058100996 | DIODE RECTIFIER LT1N4006(4007) | 1N 4006 | 3 | |
| D701-703 D705-706 D708-714 | 2058304100 | DIODE IN4148M | 1N4148 | 12 | |
| C747 | 3409247871-T | CAP AF RSG 0.47UF 50V 5 P | 0.47/50 | 1 | |
| C722 C725 C728 C749 C751 C768-769 C775 | 3409210971-T | CAP AF RSG 1UF 50V 5 P | 1/50 | 8 | |
| C706-712 C714-715 C717 C719 C721 C726-727 C734 C736 C738 C743 C756-758 C761 C763-764 C766-767 C772 C778 CC44 | 3409210071-T | CAP AF RSG 10UF 50V 5 P | 10/50 | 29 | |
| C773-774 C779-780 | 3409210141-T | CAP AF RSG 100UF 25V 6 P | 100/25 | 4 | |
| C702 | 3409210171-T | CAP AF RSG 100UF 50V 8 P | 100/50 | 1 | |
| C704 | 3409210231 | | 1000/50V | 1 | |
| C713 C716 C720 C723 C732 C735 C748 C760 C762 | 3409222071-T | CAP AF RSG 22UF 50V 5 P | 22/50 | 9 | |
| C703 C705 | 3409222171-T | CAP AF RSG 220UF 50V SG 10 P | 220/50 | 2 | |
| C759 | 3409233071-T | CAP AF RSG 33UF 50V 6 P | 33/50 | 1 | |
| C744-745 | 3409247991-T | CAP AF RSG 4.7UF 100V 5 P | 4.7/100 | 2 | |
| C746 C753-754 | 3409247971-T | CAP AF RSG 4.7UF 50V 5 P | 4.7/50 | 3 | |
| C718 C724 C733 C737 C750 C752 C765 C781 | 3409247071-T | CAP AF RSG 47UF 50V 6 P | 47/50 | 8 | |
| C701 | 3419547177 | CAP E SD 470UF 50V (10P) | 470/50 | 1 | |
| C770 | 3609102120-T | CAP MA 0.001UF 100V | 0.001(M) | 1 | |
| C731 C742 | 3609122120-T | CAP MA 0.0012UF 100V J | 0.0012/100(M) | 2 | |
| C741 | 3609472120-T | CAP MA 0.0047UF 100V J | 0.0047(M) | 1 | |
| C755 | 3609822120-T | CAP MA 0.0082UF 100V | 0.0082/100(M) | 1 | |
| C776 | 3609103120-T | CAP MA 0.01UF 100V | 0.01/100(M) | 1 | |
| C729-730 | 3609333120-T | CAP MA 0.033UF 100V J | 0.033/100(M) | 2 | |
| C739-740 | 3609683120-T | CAP MA 0.068UF 100V J | 0.068/100(M) | 2 | |
| C771 C777 | 3609104122-T | CAP MA 0.1UF 100V J SMALL | 0.1/100(M) | 2 | |
| CN6 | 4428595002 | LW5267/LWB0640/2.5MM-02P | CN/2P | 1 | |
| IC703-705 IC707-708 | 2118010590 | IC NJM4558D JRC | 4558D | 5 | |
| IC706 | 2118012032 | IC NJM4560D JRC | NJM 4560D | 1 | |
| R705 | 3039152575-T | RES MO 1.5K 2W J RADIAL | 1.5K 2W | 1 | |
| R818 | 3009101973 | RES CF 100 1/5W J N | 100 | 1 | |
| R702 | 3039101472-T | RES MO 100 1W T | 100 1W | 1 | |
| R745-746 R794 R800 R805-806 R809 | 3009104973 | RES CF 100K 1/5W J N | 100K | 7 | |
| R735 R744 R760 R774 R787 R828 | 3009100973 | RES CF 10 1/5W J N | 10 | 6 | |

| | | | | | |
|--|--------------------------|--|-----------|----|--|
| R701 | 3039100575-T | RES MO 10 2W JR | 10 2W | 1 | |
| R751-753 R767-768 R801 R803 R813 | 3009103973 | RES CF 10K 1/5W J N | 10K | 8 | |
| R795 | 3009106973 | RES CF 10M 1/5W J N | 10M | 1 | |
| R747 R766 | 3009123973 | RES CF 12K 1/5W J N | 12K | 2 | |
| R729 R739 | 3009133973 | RES CF 13K 1/5W J N | 13K | 2 | |
| R714 R721-725 R728 R733-734 R738 R793 R799 R829 | 3009153973 | RES CF 15K 1/5W J N | 15K | 13 | |
| R707 | 3009181973 | RES CF 180 1/5W J N | 180 | 1 | |
| R713 R720 R764 R775 R833 | 3009183973 | RES CF 18K 1/5W J N | 18K | 5 | |
| R765 R772-773 R782 R924-926 R822 R825-827 | 3009102973 | RES CF 1K 1/5W J N | 1K | 11 | |
| R807 | 3009105973 | RES CF 1M 1/5W J N | 1M | 1 | |
| R749 | 3009222973 | RES CF 2.2K 1/5W J N | 2.2K | 1 | |
| R790 | 3009225973 | RES CF 2.2M 1/5W J N | 2.2M 1/5W | 1 | |
| R780 | 3009272973 | RES CF 2.7K 1/5W J N | 2.7K | 1 | |
| R748 | 3009203973 | RES CF 20K 1/5W J N | 20K | 1 | |
| R930 | 3009221973 | RES CF 220 1/5W J N | 220 | 1 | |
| R788 | 3009224973 | RES CF 220K 1/5W J N | 220K | 1 | |
| R708 R715 R812 | 3009220973 | RES CF 22 1/5W J N | 22 | 3 | |
| R712 R719 R769 R811 | 3009223973 | RES CF 22K 1/5W J N | 22K | 4 | |
| R808 R821 | 3009274973 | RES CF 270K 1/5W J N | 270K | 2 | |
| R730 R740 R761 | 3009202973 | RES CF 2K 1/5W J N | 2K | 3 | |
| R706 R757 | 3009332973 | RES CF 3.3K 1/5W J N | 3.3K | 2 | |
| R786 | 3009392973 | RES CF 3.9K 1/5W J N | 3.9K | 1 | |
| R743 | 3009303973 | RES CF 30K 1/5W J N | 30K | 1 | |
| R776-777 R781 | 3009331973 | RES CF 330 1/5W J N | 330 | 3 | |
| R791 R797 | 3009334973 | RES CF 330K 1/5W J N | 330K | 2 | |
| R817 | 3009330973 | RES CF 33 1/5W J N | 33 | 1 | |
| R771 R789 R796 R815 R830 | 3009393973 | RES CF 39K 1/5W J N | 39K | 5 | |
| R770 R778-779 | 3009302973 | RES CF 3K 1/5W J N | 3K | 3 | |
| R703-704 R802 | 3039479575-T | RES MO 4.7 2W J RADIAL | 4.7 2W | 3 | |
| R755 R792 R798 R814 | 3009472973 | RES CF 4.7K 1/5W J N | 4.7K | 4 | |
| R709-711 R716-718 R754 R834-835 | 3009473973 | RES CF 47K 1/5W J N | 47K | 9 | |
| R750 | 3009561973 | RES CF 560 1/5W J N | 560 | 1 | |
| R726-727 R731-732 R736-737 R741-742 R758-759 R762-763 R783-784 R804 R810 R819-820 R823-824 R832 | 3009563973 | RES CF 56K 1/5W J N | 56K | 21 | |
| R816 R831 | 3009683973 | RES CF 68K 1/5W J N | 68K | 2 | |
| R756 R785 | 3009752973 | RES CF 7.5K 1/5W J N | 7.5K | 2 | |
| RLY1-3 | 5528999700 | RELAY 876AN2-2C-S 24VDC | RLY8P | 3 | |
| SVR703-704 | 3248347320-T | RH063MCS4R | 47K | 2 | |
| SVR701-702 | 3248310220-T | RH063MC13R | 1K | 2 | |
| Q706 Q709 | 2008606101-T | KTC3198L-BL-AT | KTC 3198L | 2 | |
| Q703-705 Q707-708 | 2008606104-T | TR NPN KTC3198-Y-AT TO-92 | KTC 3198Y | 5 | |
| Q702 | 2028406113 | KTD2058-Y-U | KTD 2058Y | 1 | |
| Q701 | 2028406114 7505299310 | TR KTD2059-Y-U HEAT SINK(30MM) REG TR | KTD 2059Y | 1 | |
| VR701-707 | 3228074710 | VR RK11K112010713A (ROG72) | 10KA | 7 | |
| VR708-709 | 3238089910 | VR RK11K116010753B (ROG63) | 50KB | 2 | |
| CN4 | 4428598311 | CONNECTOR WAFER LW-0640-11P | WAF11P | 1 | |
| ZD701 | 2058502180 | DIODE ZENER UZ-188M(1N5248B) | UZ 188M | 1 | |
| ZD703 | 2058502056 | DIODE ZENER UZ-5.6BM(1N5232B) | UZ 5.6BM | 1 | |
| G1 Q2(B,C,R) | 4355829706 | CON ASSY 1P (GND) | 1P 1P | 1 | |
| (B,C) | 4835002010 | CAPACITOR TUBE | CAP-TUBE | 1 | |

SPEAKER SEL. P.C. Board (4005412010)

| | | | | | |
|------|------------|-------------------------------|--------------|---|--|
| C905 | 3549472407 | CAP DE2E3KH472MA4B | 0.0047/400V | 1 | |
| CN9 | 4428593603 | LOCK WAFER 2 LW-1143-03P | CON2P | 1 | |
| AN6 | 4355857810 | CON ASSY 2P | CON2P | 1 | |
| SW3 | 4628984010 | SW PUSH JPJ061-306DT-01 JAEIL | SW/36P | 1 | |
| SW4 | 4628098520 | SW PUSH SPUN19X1M031 (SUI52) | SPUN19X1M031 | 1 | |
| SW1 | 4648098410 | SW PS-5-W7AV | 220V/110V | 1 | |

| | | | | | |
|--------|------------|------------------------|----------|---|--|
| P12-13 | 4465998210 | TERMINAL(250)PCB TAB | TERMINAL | 2 | |
| CN10 | 4428596607 | LOCK WAFER LW-1143-07P | WAF2P | 1 | |

SPEAKER TER. P. C. Board (4005412020)

| | | | | | |
|----------------|--------------|--------------------------------|-----------|---|---|
| C907 | | | NOT USED! | 1 | |
| C906 C908 C913 | 3509103450-T | CAP CE 0.01UF 500V Z | 0.01/500V | 3 | |
| C906 C908-C913 | 3509103450-T | CAP CE 0.01UF 500V Z | 0.01/500V | 7 | R |
| CN12 | 4428596605 | LOCK WAFER LW-1143-05P | WAF-5P | 1 | |
| TER3 | 4465997606 | SCREW TERMINAL 6P(D) | TERMINAL | 1 | |
| G1-G2 | 4355829706 | CON ASSY 1P (GND) | CON1P | 1 | R |
| PL1 | 5410000300 | SURGE PROTECTOR DSP-301N | DSP-301N | 1 | |
| J5-6 | 1508400501 | JUMP WIRE(0.5/52M/M) | JUMP | 2 | |
| CN100 | 4428595002 | LW5267/LWB0640/2.5MM-02P | CN/2P | 1 | |
| R928 | | | NOT USED! | 1 | |
| SW2 | 4618006510 | SW VOL SELE SDJL4SBKP011(SP087 | VOL | 1 | |
| CN11 | 4428596607 | LOCK WAFER LW-1143-07P | WAF2P | 1 | |

POWER IN P. C. Board (4005412030)

| | | | | | |
|-------------|--------------|--------------------------------|-------------------|---|------|
| CR731-732 | | | NOT USED! | 2 | |
| C1000 | 3549333001 | CAP ECQ-J0187W (0.033UF 250V) | (100+0.33) | 1 | |
| CR724-725 | 3529104531-A | CAP CE F 100000PF 50V Z | 100000P | 2 | |
| CR723 | 3529103531-A | CAP CE F 10000PF 50V Z | 10000P50V | 1 | |
| CR730 CR733 | 3539102231-A | CAP CE YP 1000PF 50V K AXIAL | 1000P | 2 | R |
| A3 - A4 | 4355838503 | GND TERMINAL GLY to CH GND | GND TER | 2 | |
| A4 | 4355838503 | GND TERMINAL GLY to CH GND | GND TER | 1 | R |
| CN8 | 4428596604 | LOCK WAFER LW-1143-04P | CN2P-1 | 1 | |
| P20 | 4355833514 | CON ASSY 1P (BLK) | CON1P | 1 | |
| P19 | 4355833618 | CON ASSY 1P (RED) | CON1P | 1 | |
| AN5 | 4355855917 | CON ASSY 3P | CON3P | 1 | |
| DC-IN | 4438094610 | DC TERMINAL 2P | DC IN | 1 | |
| F1-2 | 4458999210 | FAU-0031.3577 SCHURTER PU-3210 | FUSE | 2 | |
| (F1/F2 cap) | 4458999310 | FUSE CARRIER FEK-0031.1661 SUT | FUSE | 2 | |
| (F1/F2 cap) | 4458999410 | FUSE CARRIER FEU0031.1663 SUT | FUSE | 2 | R ,C |
| AC-IN | 4448599010 | AC INLET (B'D IN TYPE) | AC INPUT | 1 | |
| BK1 | 6505959710 | JACK B. K. T | JACK BKT | 1 | |
| JACK1-2 | 4438097310 | JACK PHONE 4P | JACK | 2 | |
| R927 | 3009225973 | RES CF 2.2M 1/5W J N | 2.2M 1/5W JUMP | 1 | E |
| R927(E) | 3069225370 | RES 2.2M 1/2W J N | 2.2M 1/2W | 1 | |
| P17-18 | 4465998210 | TERMINAL(250)PCB TAB | TERMINAL | 2 | |
| ZD705 | 2058502056 | DIODE ZENER UZ-5.6BM(1N5232B) | UZ 5.6BM | 1 | |

LINK IN/OUT P. C. Board (4005412040)

| | | | | | |
|-------------------|--------------|-------------------------------|------------|---|---|
| CR728-729 | | | NOT USED! | 2 | |
| CO1-4 | 3509102530-T | CAP CE B 0.001UF 50V J | 0.001/50 | 4 | |
| CR718-721 | 3529104531-A | CAP CE F 100000PF 50V Z | 100000P | 4 | |
| CR722 | 3529103531-A | CAP CE F 10000PF 50V Z | 10000P50V | 1 | |
| CR726-727 | 3539102231-A | CAP CE YP 1000PF 50V K AXIAL | 1000P | 2 | R |
| AN4 | 4355855816 | CON ASSY 13P | CON13P | 1 | |
| AN4(E) AN3() | 4355830303 | CON GND TERMINAL 1P Y/G | GND 1P(E) | 1 | |
| AN16 | 4355958211 | CON ASSY 2P 130MM CA-6210 | CON2P | 1 | |
| BK2 | 6505959710 | JACK B. K. T | JACK BKT | 1 | |
| JACK3-4 | 4438097310 | JACK PHONE 4P | AM-8003 | 2 | |
| TER2 | 4465997604 | SCREW TERMINAL 4P(D) | TER4P | 1 | |
| ZD704 | 2058502056 | DIODE ZENER UZ-5.6BM(1N5232B) | UZ 5.6BM | 1 | |

DISPLAY P. C. Board (4005412050)

| | | | | | |
|-------------------|--------------|--------------------------|----------|----|--|
| CN14-15 | 4428594010 | WAFER 5532-10A J.MOLEX | ASSY 10P | 2 | |
| AN3 | 4355855319 | CON ASSY 4P | CON4P | 1 | |
| C903 | 3409210971-T | CAP AF RSG 1UF 50V 5 P | 1/50 | 1 | |
| C901-902 C904 | 3409247971-T | CAP AF RSG 4.7UF 50V 5 P | 4.7/50 | 3 | |
| IC902 | 2118040105 | KIA6967S | KIA6967S | 1 | |
| IC901 | 2118030405 | KIA6966S | KIA6966S | 1 | |
| R910-914 R916-920 | 3009122973 | RES CF 1.2K 1/5W J N | 1.2K | 10 | |
| R922 | 3009103973 | RES CF 10K 1/5W J N | 10K | 1 | |
| R904 | 3009184973 | RES CF 180K 1/5W J N | 180K | 1 | |
| R902 | 3009183973 | RES CF 18K 1/5W J N | 18K | 1 | |
| R907-909 R915 | 3009272973 | RES CF 2.7K 1/5W J N | 2.7K | 4 | |
| R901 | 3009274973 | RES CF 270K 1/5W J N | 270K | 1 | |
| R903 | 3009303973 | RES CF 30K 1/5W J N | 30K | 1 | |
| R906 | 3009393973 | RES CF 39K 1/5W J N | 39K | 1 | |

| | | | | | |
|-----------|--------------|---------------------------|-----------|---|--|
| R905 R921 | 3009473973 | RES CF 47K 1/5W J N | 47K | 2 | |
| R923 | 3009752973 | RES CF 7.5K 1/5W J N | 7.5K | 1 | |
| Q901 | 2008606104-T | TR NPN KTC3198-Y-AT TO-92 | KTC 3198Y | 1 | |
| SVR901 | | | NOT USED! | 1 | |

LED P.C. Board (4005412060)

| | | | | | |
|--------------|------------|--------------------------|---------|---|--|
| AN14-15 | 4428593910 | WAFER 5533-10APB J.MOLEX | CON10P | 2 | |
| LED3-11 | 2300032105 | LED LTL-1CHG-021A LITEON | SLR34MG | 9 | |
| LED1-2 LED12 | 2300030105 | LED LTL-1CHE-021A LITEON | SLR34VC | 3 | |

AMP P.C. Board (4005411900)

| | | | | | |
|-------------------|--------------|--------------------------------|------------|---|--|
| IC1 IC4 | 2168640988 | IC 7815 SAMSUNG | 7815 | 2 | |
| C19 CR15-18 | | | NOT USED! | 5 | |
| CR19-20 | 3509332530-T | CAP CE B 0.0033UF 50V K | 0.0033/50 | 2 | |
| CR1-2 CR13-14 | 3539104531-A | CAP CE Y 10000PF 50V Z AXIAL | 0.1/50V | 4 | |
| CR11-12 | 3509271130-T | CAP CE SL 270PF 50V J | 270P | 2 | |
| CR4 | 3509471130-T | CAP CE SL 470PF 50V J | 470P | 1 | |
| CR10 | 3509509030-T | CAP CE SL 5PF 50V J | 5P | 1 | |
| IPT | 2808098300 | TRANSFORMER INPUT (PA-9324) | COIL(6P) | 1 | |
| P1 P3 | 4355833403 | CON ASSY 1P (YEL) | CON(1P) | 2 | |
| P2 | 4355833503 | CON ASSY 1P (BLK) | CON1P | 1 | |
| CN1 | 4428598305 | CONNECTOR WAFER LW-0640-5P | CON-5P | 1 | |
| AN2 | 4355886605 | CON ASSY 4P | CON-3P | 1 | |
| P4 | 4355833603 | CON ASSY 1P (RED) | CON(1P) | 1 | |
| A3(RD) | 4355855407 | CON ASSY 1P | CON1P | 1 | |
| SVR1-2 | 3248310120-T | RH063MC12R | 100B | 2 | |
| D3-10 D12 | 2058304100 | DIODE IN4148M | 1N4148 | 9 | |
| D2 | 2058300998 | DIODE SCHOTTKY SBL2040/SR2040 | SBL2040 | 1 | |
| C2 | | | NOT USED! | 1 | |
| C6 | 3409210971-T | CAP AF RSG 1UF 50V 5 P | 1/50 | 1 | |
| C9-10 C12-13 | 3409210071-T | CAP AF RSG 10UF 50V 5 P | 10/50 | 4 | |
| C7 | 3409210141-T | CAP AF RSG 100UF 25V 6 P | 100/25 | 1 | |
| C3 C15 | 3409210171-T | CAP AF RSG 100UF 50V 8 P | 100/50 | 2 | |
| C1(PAM-60) | 3419568224 | CAP AF HS 6800UF 50V 30 P LUG | 6800/50 | | |
| C1(PAM-120) | 3419510378 | CAP AF HS 10000UF 50V 30 P LUG | 10000/50 | 1 | |
| C8 C21 | 3409222071-T | CAP AF RSG 22UF 50V 5 P | 22/50 | 2 | |
| C14 | 3409233071-T | CAP AF RSG 33UF 50V 6 P | 33/50 | 1 | |
| C11 C22 | 3409247071-T | CAP AF RSG 47UF 50V 6 P | 47/50 | 2 | |
| C4-5 | 3408247171 | CAP RSA 470UF 50V SNAP 13 P | 470/50 | 2 | |
| IC2 | 2118010932 | IC NJM 4556AD | 4556D | 1 | |
| IC3 | 2118010590 | IC NJM4558D JRC | 4558D | 1 | |
| C16-18 C20 | 3609104140-T | CAP MA 0.1UF 200V J | 0.1/200(M) | 4 | |
| CR3 CR5-9 | | | NOT USED! | 6 | |
| CNT1 | 4678699420 | CNT PLUG 2P | PLUG-2P | 1 | |
| R56 | | | NOT USED! | 1 | |
| R5 R7(PAM-60) | | | | 2 | |
| R4-7(PAM-120) | 3059278783 | RES CE 0.27 5W J T | 0.27 5W | 4 | |
| R54 | 3003120953 | RES CF 1.2K 1/5W FN | 1.2K(1%) | 1 | |
| R26 | 3009122973 | RES CF 1.2K 1/5W J N | 1.2K | 1 | |
| R12 R18 | 3009132973 | RES CF 1.3K 1/5W J N | 1.3K | 2 | |
| R51 | 3001100953 | RES CF 100K 1/5W F N | 100K(1%) | 1 | |
| R33-34 | 3009104973 | RES CF 100K 1/5W J N | 100K | 2 | |
| R41 | 3009100973 | RES CF 10 1/5W J N | 10 | 1 | |
| R48 | 3002100953 | RES CF 10K 1/5W F N | 10K 1% | 1 | |
| R27-28 R36-37 R55 | 3009103973 | RES CF 10K 1/5W J N | 10K | 7 | |
| R57-58 | | | | | |
| R29 R59 | 3009102973 | RES CF 1K 1/5W J N | 1K | 2 | |
| R2-3 | 3039102572-F | RES MO 1K 2W J N | 1K 2W | 2 | |
| R43 | 3009105973 | RES CF 1M 1/5W J N | 1M | 1 | |
| R9 R15 | 3009201973 | RES CF 200 1/5W | 200 | 2 | |
| R13 R19 | 3009203973 | RES CF 20K 1/5W J N | 20K | 2 | |
| R8 R14 | 3009220973 | RES CF 22 1/5W J N | 22 | 2 | |
| R46 | 3009223973 | RES CF 22K 1/5W J N | 22K | 1 | |
| R11 R17 | 3009271973 | RES CF 270 1/5W J N | 270 | 2 | |
| R52 | 3003332953 | RES CF 3.32K 1/5W F N | 3.32K 1% | 1 | |
| R31 | 3009331973 | RES CF 330 1/5W J N | 330 | 1 | |
| R20-21 R45 | 3009330973 | RES CF 33 1/5W J N | 33 | 3 | |
| R39 | 3009391973 | RES CF 390 1/5W J N | 390 | 1 | |
| R40 | 3009472973 | RES CF 4.7K 1/5W J N | 4.7K | 1 | |
| R1 | 3039472572-F | RES MO 4.7K 2W J N | 4.7K 2W | 1 | |
| R10 R16 R38 R47 | 3009471973 | RES CF 470 1/5W J N | 470 | 4 | |

| | | | | | |
|---|--------------|-------------------------------|------------|--------|--|
| R25 | 3009473973 | RES CF 47K 1/5W J N | 47K | 1 | |
| R32 R35 | 3009562973 | RES CF 5.6K 1/5W J N | 5.6K | 2 | |
| R49 | 3002536953 | RES CF 53.6K 1/5W F N | 53.6K 1% | 1 | |
| R60 | 3009561973 | RES CF 560 1/5W J N | 560 | 1 | |
| R42 R44 | 3009682973 | RES CF 6.8K 1/5W J N | 6.8K | 2 | |
| R22-24 | 3009752973 | RES CF 7.5K 1/5W J N | 7.5K | 3 | |
| R50 | 3002715953 | RES CF 71.5K 1/5W FN | 71.5K 1% | 1 | |
| R53 | 3003820953 | RES CF 8.2K 1/5W FN | 8.2K(1%) | 1 | |
| R30 | 3009911973 | RES CF 910 1/5W J N | 910 | 1 | |
| OPT1/2/3 | 4355855509 | CON ASSY 4P | SW-6P | 1 | |
| P5-8 | 4465998210 | TERMINAL(250)PCB TAB | TER | 4 | |
| TH1-2 | 4428595002 | LW5267/LWB0640/2.5MM-02P | 50K | 2 | |
| Q2 Q7 | 2028407118 | KTC2238A-Y-U | 2SC 2238Y | 2 | |
| Q5 Q10(PAM-60) Q4-5 Q9-10(PAM-120) | 2028427998 | TR 2SC 3856 W/ACC | 2SC 3856 | 2 4 | |
| Q11 | 2008606108-T | KTC3200-BL-AT | KTC3200BL | 1 | |
| Q12 Q14 | 2008606999-T | KTC3198-BL-AT | KTC 3198BL | 2 | |
| Q3 Q8 Q15-16 | 2008606104-T | TR NPN KTC3198-Y-AT TO-92 | KTC 3198Y | 4 | |
| Q1 Q6 | 2008606107-T | KTC3206-Y-AT | KTC3206Y | 2 | |
| Q13 | 2008606105-T | TR NPN KTA1266-Y-AT TO-92 | KTA1266Y | 1 | |
| CN3 | 4428598304 | WAFER LW-0640-4P | WAF-4P | 1 | |
| ZD2 | 2058502120 | DIODE ZENER UZ-12BM(1N5242B) | UZ 12BM | 1 | |
| ZD3-6 | 2058502056 | DIODE ZENER UZ-5.6BM(1N5232B) | UZ 5.6BM | 4 | |
| ZD1 | 2058501076 | DIODE ZENER UZ-7.5B(1N5236B) | UZ 7.5BM | 1 | |
| GND | 4235007210 | GND TERMINAL (POWER BD) | GND TER | 1 | |
| A1 A2 A3 A4 | 4355855407 | CON ASSY 1P | 1P 1P | 2 | |
| OPT1-3 | 4355855509 | CON ASSY 4P | 4P | 1 | |
| PAM-60/120 | 7502093410 | HEAT SINK | | 1 | |

INPUT P.C. Board (4005411800)

| | | | | | |
|--------------------|--------------|--------------------------------|---------------|---|--|
| CR110 | 3509101231-A | CAP CE B 100PF 50V K AXIAL | 100/50 | 1 | |
| CR101 | 3529103531-A | CAP CE F 10000PF 50V Z | 10000P50V | 1 | |
| CR102-105 | 3539102231-A | CAP CE YP 1000PF 50V K AXIAL | 1000P | 4 | |
| CR106-107 | 3509121231-A | CAP CE B 120PF 50V K AXIAL | 120P | 2 | |
| CR109 | 3509271231-A | CAP CE B 270PF 50V K AXIAL | 270P | 1 | |
| CR108 | 3529050311-A | CAP CE SL 5P 50V C AXIAL | 5P | 1 | |
| C105 C107 | 3409210071-T | CAP AF RSG 10UF 50V 5 P | 10/50 | 2 | |
| C103-104 C106 | 3409222071-T | CAP AF RSG 22UF 50V 5 P | 22/50 | 3 | |
| C101-102 C109-111 | 3409247071-T | CAP AF RSG 47UF 50V 6 P | 47/50 | 5 | |
| FB101-102 | 2648609900 | FERITE BEAD H5B | FER | 2 | |
| JACK1 | 4438193710 | XLR JACK(F) 3P(E303A0070N) | JACK3P | 1 | |
| C108 | 3609272120-T | CAP MA 0.0027UF 100V J | 0.0027/100(M) | 1 | |
| CN101 | 4428592820 | WAFER BOX 20P TPHAB03-1419-20A | 20P | 6 | |
| CN102 | 4428595003 | LW5267/LWB0640/2.5MM-03P | MH5264 | 1 | |
| IC101 | 2168220989 | IC NJM 2068L JRC | NJM 2068L | 1 | |
| IC102 | 2168220989 | IC NJM 2068L JRC | NJM 2068L | 1 | |
| BK101 | 6505946710 | PCB BKT PAC-60/120 | PCB BKT | 1 | |
| SW102 | 4628992410 | SW PUSH SPUN19X1M011 (SUA29) | SW2P | 1 | |
| R111 R114 | 3009132973 | RES CF 1.3K 1/5W J N | 1.3K | 2 | |
| R124 | 3009100973 | RES CF 10 1/5W J N | 10 | 1 | |
| R112-113 R116 R123 | 3009103973 | RES CF 10K 1/5W J N | 10K | 4 | |
| R121 | 3009154973 | RES CF 150K 1/5W J N | 150K | 1 | |
| R120 | 3009184973 | RES CF 180K 1/5W J N | 180K | 1 | |
| R115 R119 | 3009272973 | RES CF 2.7K 1/5W J N | 2.7K | 2 | |
| R117 | 3009201973 | RES CF 200 1/5W | 200 | 1 | |
| R109-110 | 3009221973 | RES CF 220 1/5W J N | 220 | 2 | |
| R118 | 3009270973 | RES CF 27 1/5W J N | 27 | 1 | |
| R106 R108 | 3009332973 | RES CF 3.3K 1/5W J N | 3.3K | 2 | |
| R122 | 3009392973 | RES CF 3.9K 1/5W J N | 3.9K | 1 | |
| R105 R107 | 3009430973 | RES CF 43 1/5W J N | 43 | 2 | |
| R103-104 | 3009474973 | RES CF 470K 1/5W J N | 470K | 2 | |
| R125 | 3009470973 | RES CF 47 1/5W J N | 47 | 1 | |
| R101-102 | 3009682973 | RES CF 6.8K 1/5W J N | 6.8K | 2 | |
| VR101 | 3228074810 | VR RK09K1110201 53C (ROG67) | 50KC | 1 | |
| VR102-104 | | | NOT USED! | 3 | |

ASSY

| | | | | | |
|-----|--------------------------|--|------|--------|--|
| OPT | 2818089800 2818089600 | TRANS OUTPUT(PAM-120) DOM,D,E TRANS OUTPUT PAM-120 (230V) | C ,R | 1 2 | |
| PT | 2828073800 2828074150 | TRANSFORMER POWER PAC-120 TRANS POWER (120V) PAM-120 | E | 1 1 | |

| | | | | | |
|---------------------|------------|--------------------------------|------|---|--|
| | 2828074170 | POWER TRANS (240V) PAC-120 | D | 1 | |
| | 2828076080 | POWER TRANS PAC-120 230V | C ,R | 2 | |
| PT(for PAM-60) | 2828073700 | TRANSFORMER POWER PAC-60 | | 1 | |
| | 2828074140 | TRANS POWER (120V) PAM-60 | E | 1 | |
| AC CORD | 4308997310 | AC CORD DOME 3-CORES | | 1 | |
| | 4308999410 | AC CORD V+VII6A-250VHOVV-F3G | R | 1 | |
| | 4308999310 | AC CORD UL 3 (INLET) | E | 1 | |
| | 4308998000 | AC CORD POWER FOR SAA | D | 1 | |
| | 4308996710 | AC CORD (WITHOUT PLUG) | C | 1 | |
| AC CORD(for PAM-60) | 4308997310 | AC CORD DOME 3-CORES | | 1 | |
| | 4308999310 | AC CORD UL 3 (INLET) | E | 1 | |
| FUSE | 5508222830 | FUSE NB 31.8MM 2.5A/250V KS | | 1 | |
| | 5508223333 | FUSE NB 31.8MM 5A/250V U/C | E | 1 | |
| | 5508222833 | FUSE NB 31.8MM 2.5A/250V U/C | D | 1 | |
| | 5508213839 | FUSE#234F 20MM 10A/250V UCKJ | C ,R | 2 | |
| | 5508223830 | FUSE NB 31.8MM 10A/250V KS | | 1 | |
| | 5508223831 | FUSE NB 31.8MM 10A/250V UL | D ,E | 2 | |
| | 5508412839 | FUSE#218T 20MM 2.5A/250V UCSKJ | C ,R | 2 | |
| FUSE(for PAM-60) | 5508222530 | FUSE NB 31.8MM 1.5A/250V KS | | 1 | |
| | 5508222933 | FUSE NB 31.8MM 3A/250V U/C | E | 1 | |
| | 5508223330 | FUSE NB 31.8MM 5A/250V KS | | 1 | |
| | 5508223333 | FUSE NB 31.8MM 5A/250V U/C | E | 1 | |