

SERVICE

MANUAL

G R A P H I C

EQUALIZER

EQ-9131/9231

interM

ELECTRICAL PARTS LIST (EQ - 9131 / 9231)

Ref No.	Part No.	Description	Value	Qty	Remark
MAIN B'D (4003493400)					
B1-2	6505961810	JACK B.K.T EQ-131.231.215	JA BKT	2	
C115 C129	3509151231-A	CAP CE B 150PF 50V K AXIAL	150P	2	
C109-111 C116 C125	3409210071-T	CAP AF RSG 10UF 50V 5 P	10/50	5	
C119-120	3409210141-T	CAP AF RSG 100UF 25V 6 P	100/25	2	
C108 C112 C114 C117	3409222071-T	CAP AF RSG 22UF 50V 5 P	22/50	4	
C113	3409247071-T	CAP AF RSG 47UF 50V 6 P	47/50	1	
C105-106 C121 C740	3609103120-T	CAP MA 0.01UF 100V	0.01(M)	4	
C104 C721 C732 C737	3639104111-T	CAP ECQ-V 1H104JL2 0.1UF 50V	0.1/50	4	
C752	3609222120-T	CAP MA 0.0022UF 100V J	0.0022	1	
C701 C703 C705	3409222979-T	ECAP SG 50V 2.2UF K	2.2/50	3	
C722 C724 C745 C747	3609223120-T	CAP MA 0.022UF 100V J	0.022	4	
C720 C733 C735	3609333120-T	CAP MA 0.033UF 100V J	0.033	3	
C748	3609392120-T	CAP MA 0.0039UF 100V J	0.0039	1	
C736 C757	3609472120-T	CAP MA 0.0047UF 100V J	0.0047	2	
C718 C726 C741	3609473120-T	CAP MA 0.047UF 100V	0.047	3	
C761 C734	3609562120-T	CAP MA 0.0056UF 100V	0.0056	2	
C742 C755	3609682120-T	CAP MA 0.0068UF 100V J	0.0068	2	
C744 C753	3609822120-T	CAP MA 0.0082UF 100V	0.0082	2	
C760 C758	3609102120-T	CAP MA 0.001UF 100V	0.001	2	
C751	3609123120-T	CAP MA 0.012UF 100V J	0.012	1	
C762 C756	3609152120-T	CAP MA 0.0015UF 100V J	0.0015	2	
C738 C749	3609153120-T	CAP MA 0.015UF 100V J	0.015	2	
C754	3609182120-T	CAP MA 0.0018UF 100V J	0.0018	1	
C707	3409215979-T	CAP.E.SG 1.5UF 50V, K	1.5/50	1	
C746 C759	3609332120-T	CAP MA 0.0033UF 100V	0.0033	2	
C714 C716 C728 C739 C743	3609683120-T	CAP MA 0.068UF 100V J	0.068	5	
C708 C727	3639334111-T	CAP ECQ-V 1H334JL2 0.33UF 50V	0.33/50	2	
C750	3609272120-T	CAP MA 0.0027UF 100V J	0.0027	1	
C711 C709	3639105111-T	CAP ECQ-V 1H105JL2 1UF 50V	1/50	2	
C712 C723 C730	3639154111-T	CAP ECQ-V 1H154JL2 0.15UF 50V	0.15/50	3	
C719	3639184111-T	CAP ECQ-V 1H184JL2 0.18UF 50V	0.18/50	1	
C710 C717	3639224111-T	CAP ECQ-V 1H224JL2 0.22UF 50VJ	0.22/50	2	
C725	3639274111-T	CAP ECQ-V 1H274JL2 0.27UF 50V	0.27/50	1	
C702 C704 C706 C713 C715	3639474111-T	CAP ECQ-V 1H474JL2 0.47UF 50V	0.47/50	5	
C731	3639684111-T	CAP ECQ-V 1H684JL2 0.68UF 50V	0.68/50	1	
C729	3639824111-T	CAP ECQ-V 1H824JL2 0.82UF 50V	0.82/50	1	
C130-131	3509471231-A	CAP CE B 470PF 50V K AXIAL	470P	2	
C133 C136 C137-138 C134-135	3539102231-A	CAP CE YP 1000PF 50V K AXIAL	1000P	6	
C118 C132 C133	3509101231-A	CAP CE B 100PF 50V K AXIAL	100P	3	
C768-770	3529220311-A	CAP CE SL 22PF 50V J AXIAL	22P	3	
C102-103 C123 C122 C126	3539104531-A	CAP CE Y 100000PF 50V Z AXIAL	0.1/50	5	
C101 C107 C124 C127-128 C763-764 C766-767	3539103531-A	CAP CE 0.01uH 50V	0.01/50	10	
CL102-103	2648699890	COIL INDUCTOR 100UH	100uH	2	
CON101-108	4428594508	WAFER (53014-0810)/2MM/MH51004	8P	4	

CON001-002	4355955320	CON ASS'Y 2P 130MM	ASS'Y 2P	2	
CON110 CON205	4428595002	LW5267/LWB0640/2.5MM-02P	WAFER/2P	2	
CON109-B	4428594502	WAFER (53014-0210)/2MM/MH51004	WAFER/2P	1	
CON109-A	4428594503	WAFER (53014-0310)/2MM/MH51004	WAFER/3P	1	
CON201	4428598304	WAFER LW-0640-4P	LW-0640-4P	1	
CON301	4428598306	CONNECTOR WAFER LW-0640-6P	LW-0640-6P	1	
D103	2058100996	DIODE RECTIFIER LT1N4006(4007)	1N 4006	1	
D101-102	2058304100	DIODE IN4148M	1N 4148	2	
ZD104-105	2058502082	DIODE ZENER UZ-8.2BM(1N5237B)	UZ 8.2BM	2	
FB101-103	2648609970	EMI BEAD FILTER BFS2550 AOF	BEAD COIL	3	
GND	4235007210	GND TERMINAL (POWER B'D)	GND	1	
IC104	2128514003	IC NJU4066BD JRC	4066B	1	
IC105	2118010332	IC NJM 5532DD JRC	5532D	3	
IC107 IC109					
IC103 IC108	2118010590	IC NJM4558D JRC	NJM4558D	2	
IC101-102	2118010432	IC NJM2068DD JRC	2068D	2	
IC401-415	2168220984	IC NJM 2043D JRC	2043D	15	
JK102 JK104	4438097310	JACK PHONE 4P	PHONEJACK	2	
JK101	4438193710	XLR JACK(F) 3P(E303A0070N)	XLR(FEMALE)	2	
JK103	4408194610	XLR JACK (M) (E403A0090N)	XLR (MALE)	2	
Q101-102	2008606104-T	TR NPN KTC3198-Y-AT TO-92	KTC 3198	2	
R145	3009182973	RES CF 1.8K 1/5W J N	1.8K	1	
R157	3009100973	RES CF 10 1/5W J N	10	1	
R121 R124 R129 R144	3009104973	RES CF 100K 1/5W J N	100K	4	
R122 R125 R127 R138	3009103973	RES CF 10K 1/5W J N	10K	4	
R101 R105	3009113973	RES CF 11K 1/5W J N	11K	2	
R102 R106	3009123973	RES CF 12K 1/5W J N	12K	2	
R116 R123 R146	3009102973	RES CF 1K 1/5W J N	1K	3	
R148	3009105973	RES CF 1M 1/5W J N	1M	1	
R109-110	3009203973	RES CF 20K 1/5W J N	20K	2	
R104 R108 R117-120 R126 R133 R140-141 R143 R152-153	3009223973	RES CF 22K 1/5W J N	22K	13	
R114	3009274973	RES CF 270K 1/5W J N	270K	1	
R147	3009273973	RES CF 27K 1/5W J N	27K	1	
R103 R107 R132	3009202973	RES CF 2K 1/5W J N	2K	3	
R134 R136	3009332973	RES CF 3.3K 1/5W J N	3.3K	2	
R131	3009331973	RES CF 330 1/5W J N	330	1	
R149	3009333973	RES CF 33K 1/5W J N	33K	1	
R112	3009473973	RES CF 47K 1/5W J N	47K	1	
R128 R130 R150	3009562973	RES CF 5.6K 1/5W J N	5.6K	3	
R111	3009561973	RES CF 560 1/5W J N	560	1	
R113	3009563973	RES CF 56K 1/5W J N	56K	1	
R135 R137	3009682973	RES CF 6.8K 1/5W J N	6.8K	2	
R115	3009684973	RES CF 680K 1/5W J N	680K	1	
R139 R142	3009680973	RES CF 68 1/5W J N	68	2	
R151	3009821973	RES CF 820 1/5W J N	820	1	
R718 R738 R750	3001102953	RES CF 102K 1/5W F N	102K	3	
R716 R720 R728 R736	3001105953	RES CF 105K 1/5W F N	105K	4	
R724 R730 R744 R752	3001110953	RES CF 110K 1/5W F N	110K	4	
R708 R756	3001115953	RES CF 115K 1/5W FN	115K	2	
R722 R726 R742	3001120953	RES CF 120K 1/5W FN	120K	3	
R704	3001124953	RES CF 124K 1/5W FN	124K	1	
R732 R748	3001127953	RES CF 127K 1/5W FN	127K	2	
R754	3001130953	RES CF 130K 1/5W FN	130K	1	
R712 R734 R740	3001143953	RES CF 143K 1/5W FN	143K	3	
R710	3001158953	RES CF 158K 1/5W FN	158K	1	
R714	3001178953	RES CF 178K 1/5W FN	178K	1	
R702	3001196953	RES CF 196K 1/5W FN	196K	1	
R758	3002715953	RES CF 71.5K 1/5W FN	71.5K	1	

R706	3002787953	RES CF 78.7K 1/5W FN	78.7K	1	
R746 R762	3002820953	RES CF 82K 1/5W FN	82K	2	
R760	3002887953	RES CF 88.7K 1/5W FN	88.7K	1	
R753	3004205953	RES CF 205 1/5W FN	205	1	
R759	3004210953	RES CF 210 1/5W FN	210	1	
R755	3004215953	RES CF 215 1/5W FN	215	1	
R751	3004220953	RES CF 220 1/5W FN	220	1	
R747 R757	3004232953	RES CF 232 1/5W FN	232	2	
R761	3004237953	RES CF 237 1/5W FN	237	1	
R717 R733	3004242953	RES CF 242 1/5W FN	242	2	
R721 R749	3004243953	RES CF 243 1/5W FN	243	2	
R735	3004249953	RES CF 249 1/5W FN	249	1	
R719 R737 R739 R741 R745	3004255953	RES CF 255 1/5W FN	255	5	
R743	3004261953	RES CF 261 1/5W FN	261	1	
R725 R727	3004267953	RES CF 267 1/5W F N	267	2	
R707 R723	3004280953	RES CF 280 1/5W FN	280	2	
R729 R709 R713	3004287953	RES CF 287 1/5W FN	287	3	
R731 R711 R715	3004294953	RES CF 294 1/5W FN	294	3	
R705	3004301953	RES CF 301 1/5W FN	301	1	
R701	3004309953	RES CF 309 1/5W FN	309	1	
R703	3004316953	RES CF 316 1/5W FN	316	1	
R155-156	3009750973	RES CF 75 1/5W JN	75	2	
RLY101	5528999700	RELAY 876AN2-2C-S 24VDC	24VDC	1	
SP101-104	5410000300	SURGE PROTECTOR DSP-301N	DSP-301N	4	
C1			Cxxx	1	
C2			Cyyy	1	
C3			Cwww	1	
C4			Cvvv	1	
CON7			CONyyy	1	
IC2			ICxxx	1	
RX1			Rxxx	1	
RY1			Ryyy	1	

POWER B'D (4003507210)

C210	3509221231-A	CAP CE B 220PF 50V K AXIAL	220P	1	
C209	3409222071-T	CAP AF RSG 22UF 50V 5 P	22/50	1	
C205-208	3409222141-T	CAP AF RSG 220UF 25V J 8 P	220/25	4	
C211	3409247071-T	CAP AF RSG 47UF 50V 6 P	47/50	1	
C203-204	3408247161	CAP RSA 470UF 35V SNAP 13 P	470/35	2	
C201-202	3408210261	CAP RSG 1000UF 35V SNAP 16 P	1000/35	2	
C212	3509103530-T	CAP CE F 0.01UF 50V Z	0.01/50	1	
C213	3609124122-T	CAP MA 0.12UF 100V MINI	0.12/100(M)	1	
CON203 (EQ-9231)	4355949606	CON ASS'Y 2P 130MM	ASS'Y 2P	1	
CON203	4355949611	CON ASS'Y 2P PP-821A	ASS'Y 2P		
CON204 (EQ-9231)	4355949606	CON ASS'Y 2P 130MM	ASS'Y 2P	1	
CON202 (EQ-9231)	4455483303	CON ASS'Y 4P 100MM	ASS'Y 4P	1	
CON201	4455483314	CON ASS'Y 4P	ASS'Y 4P	1	
CON205	4428596603	LOCK WAFER LW-1143-03P	LW-1143-03P	1	
D201-1-4	2058100996	DIODE RECTIFIER LT1N4006(4007)	1N 4006	4	
D202-203	2058100996	DIODE RECTIFIER LT1N4006(4007)	1N 4006	2	
D206-207	2058304100	DIODE IN4148M	1N 4148	2	
D204-205	2058502180	DIODE ZENER UZ-18BM(1N5248B)	UZ 18BM	2	
GND	4235007210	GND TERMINAL (POWER B'D)	GND	1	
Q201	2028406113 8195000310 7505299340 7505299320	KTD2058-Y-U HEAT SINK SCREW HEAT SINK EQ-131 HEAT SINK(45MM) REG TR	KTD 2058Y EQ-9131 EQ-9231	1	
Q202	2028117992 7505299340	KTB1366-Y-U HEAT SINK EQ-131	KTB1366 EQ-9131	1	

	7505299320	HEAT SINK(45MM) REG TR	EQ-9231		
Q203-204	2008606104	DEL TR NPN KTC1815Y (KTC3198)	KTC 3198	2	
R205-206	3009122973	RES CF 1.2K 1/5W J N	1.2K	2	
R210	3009104973	RES CF 100K 1/5W J N	100K	1	
R201	3039100575-T	RES MO 10 2W JR	10 2W	1	
R202	3039220575-T	RES MO 22 2W J RADIAL	22 2W	1	
R203-204	3039271575-T	RES MO 270 2W J RADIAL	270 2W	2	
R211-212	3039479572-F	RES MO 4.7 2W J N	4.7 2W	2	
R208	3009472973	RES CF 4.7K 1/5W J N	4.7K	1	
R209	3009561973	RES CF 560 1/5W J N	560	1	
R207	3009682973	RES CF 6.8K 1/5W J N	OPEN	1	
SW201	4618006610	SW SELECTOR(SDJL2SBKP011)SPO91	SW	1	

FADER B'D (4003504401)

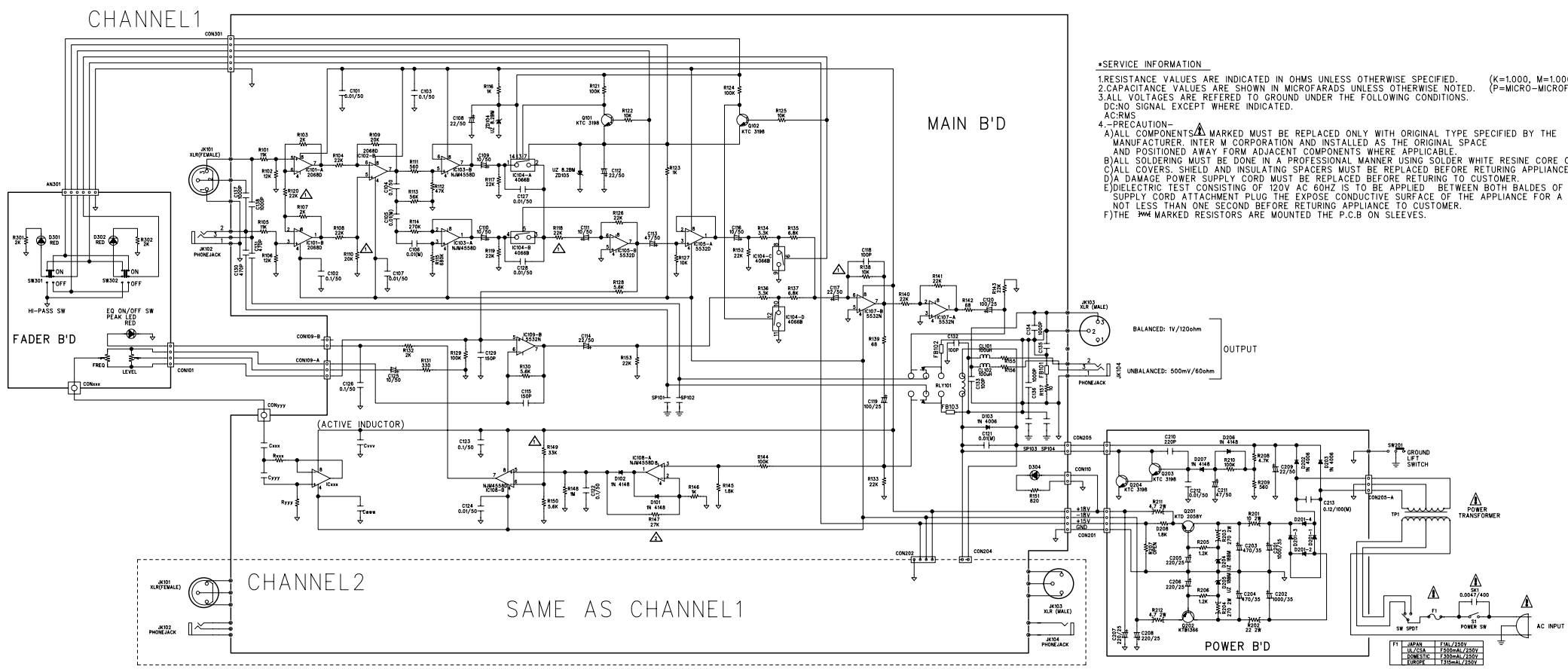
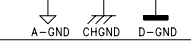
AN301				1	
BK1	6505953310	HOLDER BRACKET EQ-9231		1	
CON101-109	4428594504	WAFER (53014-0410)/2MM/MH51004	WAFER-4P	9	
CON110	4428595702	53015-0210/2MM/MH51004	WAFER-2P	1	
CON301-302	4428595703	53015-0310/2MM/MH51004	WAFER-3P	2	
CON25			CONxxx	1	
D301-303	2300030100 6535996940	LED LTL-1CHE LITEON LED LIMIT HOLDER	RED	3	
D304	2300050100	LED LTL-307E LITEON	LED(RED)	1	
R301-302	3009202973	RES CF 2K 1/5W J N	2K	2	
SW301-302	4628991710	SW PUSH SPEC122SC011(SUB98)	SW SLIDE	2	
VR1			LEVEL	1	
VR2			FREQ	1	
VR301-332	3238094710	VR RS20111C600223W (RSC39)	20KW	32	

ASSY

AC CORD	4308997310 4308996710 4353997820 4308998000 4308999310 4308993510 4308999410	AC CORD DOME 3-CORES AC CORD (WITHOUT PLUG) XLR CORD AC CORD POWER FOR SAA AC CORD UL 3 (INLET) AC CORD KKP-210/KKS-16T (JIS) AC CORD V+VII6A-250VHOVV-F3G	C D E J R		
AC INLET	4448996810 4448997110	AC INLET 31.8MM AC INLET NO.KE-10.2100.151	C , R	1	AC1
CON	4355934703 4355473415 4355473515 4355473819 4355473919 4355903726 4355903819 4355903919 4355932816	187T & TUBE CON ASS'Y Y-GRE CON ASSY 8P 330MM CON ASSY 8P 330MM CON ASSY 8P 450MM CON ASSY 8P 450MM CON ASSY 4P CON ASSY 2P CON ASSY 6P 187T & TUBE CON ASSY			
FUSE	4448996911 5508220933 5508411039 5508221330 4448997120 5508221333 5508221233 5508311439 5508221733 5508222233	FUSE DRAWER(31.8MM) FUSE NB 31.8MM 150MA/250V U/C FUSE#218T 20MM 160MA/250V UCSK FUSE NB 31.8MM 300MA/250V KS FUSE DRAWER NO.4305.0001(20MM) FUSE NB 31.8MM 300MA/250V U/C FUSE NB 31.8MM 250MA/250V U/C FUSE#218T 20MM 315MA/250V UCSK FUSE NB 31.8MM 500MA/250V U/C FUSE NB 31.8MM 1A/250V U/C	(EQ-9131) EQ-9131(C , R) (EQ-9231) C , R EQ-9131(E , J) EQ-9131(J) EQ-9231(C , R) EQ-9231(E) EQ-9231(J)	1	F1
PT	2828076340 2828083610 2828076300	POWER TRANS EQ-9131 TRANS POWER EQ-9231 TRANSFORMER POWER 100V EQ-9131	(EQ-9131) (EQ-9231) EQ-9131(J)	1	TP1

	2828059200	TRANS POWER EQ-9231 100V	EQ-9231(J)		
SW	4648099110	SW PUSH JPJ010-301DT-41	(EQ-9131)	1	S1
	4628992310	SWITCH POWER PS3-22-W3AZ	(EQ-9231)		
POWER SW	4835002710	INSULATION POWER SWITCH	EQ-9131(C , J , R) EQ-9231(J)		
VOL.	4448996914	VOLTAGE SELECTOR 220V ONLY			
	4448997112	VOLTAGE 4305.0048.17(115/230)	C , R		
	4448996916	VOLTAGE SELECTOR 120/240V	D , E		
	4448996917	VOLTAGE SELECTOR 100V ONLY	J		
	3549472407	CAP DE2E3KH472MA4B		1	SK1

1			2			3			4			5			6			7			8			9		
COMPANY	INTER.M	APPLICANT	REVISED NUMBER AND DATE			DESIGNED	CHECKED	APPROVED	NOTE															SHEET NO.		
TYPE CODE			1.	4.	7.	D	G																	SCHEMATIC DIAGRAM		
APPROVED DATE	990623		2.	5.	8.																			MODEL : EQ-9231/Q-231		

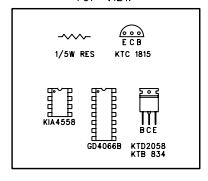


***SERVICE INFORMATION**
1. RESISTANCE VALUES ARE INDICATED IN OHMS UNLESS OTHERWISE SPECIFIED. (K=1,000, M=1,000,000)
2. CAPACITANCE VALUES ARE SHOWN IN MICROFARADS UNLESS OTHERWISE NOTED. (P=MICRO-MICROFARADS)
3. ALL VOLTAGES ARE REFERED TO GROUND UNDER THE FOLLOWING CONDITIONS.
DC: NO SIGNAL EXCEPT WHERE INDICATED.
AC: RMS
4. PRECAUTION—
A) ALL COMPONENTS MARKED WITH Δ MUST BE REPLACED ONLY WITH ORIGINAL TYPE SPECIFIED BY THE MANUFACTURER, INTER M CORPORATION AND INSTALLED AS THE ORIGINAL SPACE AND POSITIONED AWAY FROM ADJACENT COMPONENTS WHERE APPLICABLE.
B) ALL SOLDERING MUST BE DONE IN A PROFESSIONAL MANNER USING SOLDER WHITE RESINE CORE ONLY. CALL COVERS, SHIELD AND INSULATING SPACERS MUST BE REPLACED BEFORE RETURNING APPLIANCE TO CUSTOMER.
C) DAMAGE POWER SUPPLY CORD MUST BE REPLACED BEFORE RETURNING TO CUSTOMER.
D) DIELECTRIC TEST CONSISTING OF 120V AC 60HZ IS TO BE APPLIED BETWEEN BOTH BALDES OF THE POWER SUPPLY CORD ATTACHMENT PLUG THE EXPOSE CONDUCTIVE SURFACE OF THE APPLIANCE FOR A PERIOD OF NOT LESS THAN ONE SECOND BEFORE RETURNING APPLIANCE TO CUSTOMER.
E) THE Δ MARKED RESISTORS ARE MOUNTED THE P.C.B ON SLEEVES.

Parts value for Active Inductor

Freq.	V _{Rxx}	IC _{xxx}	C _{xxx}	C _{yyy}	C _{vvv}	C _{www}	R _{xxx}	R _{yyy}	CON _{xxx}	CON _{yyy}
20Hz	VR101	IC407b	C701: 2.2u	C702: 0.47u	C764	C765	R701: 309	R702: 196K	CON101	CON102
20Hz	VR102	IC407a	C703: 2.2u	C704: 0.47u			R703: 316	R704: 124K	CON102	CON102
32Hz	VR103	IC402b	C705: 2.2u	C706: 0.47u			R705: 301	R706: 78.7K	CON102	CON102
40Hz	VR104	IC402a	C707: 1.5u	C708: 0.33u			R707: 280	R708: 115K	CON102	CON102
50Hz	VR105	IC403b	C709: 1u	C710: 0.22u			R709: 287	R710: 158K	CON103	CON103
63Hz	VR106	IC403a	C711: 1u	C712: 0.15u			R711: 294	R712: 143K	CON103	CON103
80Hz	VR107	IC408b	C729: 0.82u	C730: 0.15u			R729: 287	R730: 115K	CON103	CON103
100Hz	VR108	IC408a	C731: 0.82u	C732: 0.1u			R731: 294	R732: 127K	CON103	CON103
125Hz	VR109	IC404b	C713: 0.47u	C714: 0.088u			R713: 287	R714: 178K	CON104	CON104
160Hz	VR110	IC404a	C715: 0.47u	C716: 0.068u			R715: 294	R716: 110K	CON104	CON104
200Hz	VR111	IC409a	C725: 0.27u	C726: 0.047u			R725: 267	R726: 120K	CON104	CON104
250Hz	VR112	IC409b	C727: 0.33u	C728: 0.068u			R727: 267	R728: 105K	CON104	CON104
315Hz	VR113	IC405b	C717: 0.22u	C718: 0.047u			R717: 242	R718: 102K	CON105	CON105
400Hz	VR114	IC405a	C719: 0.18u	C720: 0.033u			R719: 255	R720: 105K	CON105	CON105
500Hz	VR115	IC410a	C723: 0.15u	C724: 0.022u			R723: 280	R724: 110K	CON105	CON105
630Hz	VR116	IC410b	C721: 0.1u	C722: 0.022u			R721: 243	R722: 120K	CON105	CON105
800Hz	VR117	IC406b	C737: 0.1u	C738: 0.015u	C765	C767	R737: 255	R738: 102K	CON106	CON106
1K	VR118	IC406a	C739: 0.088u	C740: 0.01u			R739: 255	R740: 143K	CON106	CON106
1.25K	VR119	IC411a	C743: 0.068u	C744: 0.0082u			R743: 261	R744: 110K	CON106	CON106
1.6K	VR120	IC411b	C745: 0.047u	C746: 0.0068u			R745: 255	R746: 120K	CON106	CON106
2K	VR121	IC407b	C733: 0.033u	C734: 0.0068u			R733: 242	R734: 143K	CON107	CON107
2.5K	VR122	IC407a	C735: 0.033u	C736: 0.0047u			R735: 249	R736: 105K	CON107	CON107
3.15K	VR123	IC412a	C747: 0.022u	C748: 0.0039u		C766	R747: 232	R748: 127K	CON107	CON107
4K	VR124	IC412b	C749: 0.022u	C746: 0.0033u			R749: 255	R746: 82K	CON107	CON107
5K	VR125	IC413a	C749: 0.015u	C750: 0.0027u			R749: 243	R750: 110K	CON108	CON108
6.3K	VR126	IC413a	C751: 0.012u	C752: 0.0022u			R751: 220	R752: 110K	CON108	CON108
8K	VR127	IC414a	C753: 0.0082u	C754: 0.0016u			R753: 205	R754: 130K	CON108	CON108
10K	VR128	IC414a	C755: 0.0068u	C756: 0.0015u			R755: 215	R756: 115K	CON108	CON108
12.5K	VR129	IC402a	C761: 0.0056u	C762: 0.0015u			R761: 237	R762: 82K	CON109	CON109
16K	VR130	IC415a	C757: 0.0047u	C758: 0.001u			R757: 294	R758: 71.5K	CON109	CON109
20K	VR131	IC415a	C759: 0.0033u	C760: 820P			R759: 261	R760: 88.7K	CON109	CON109

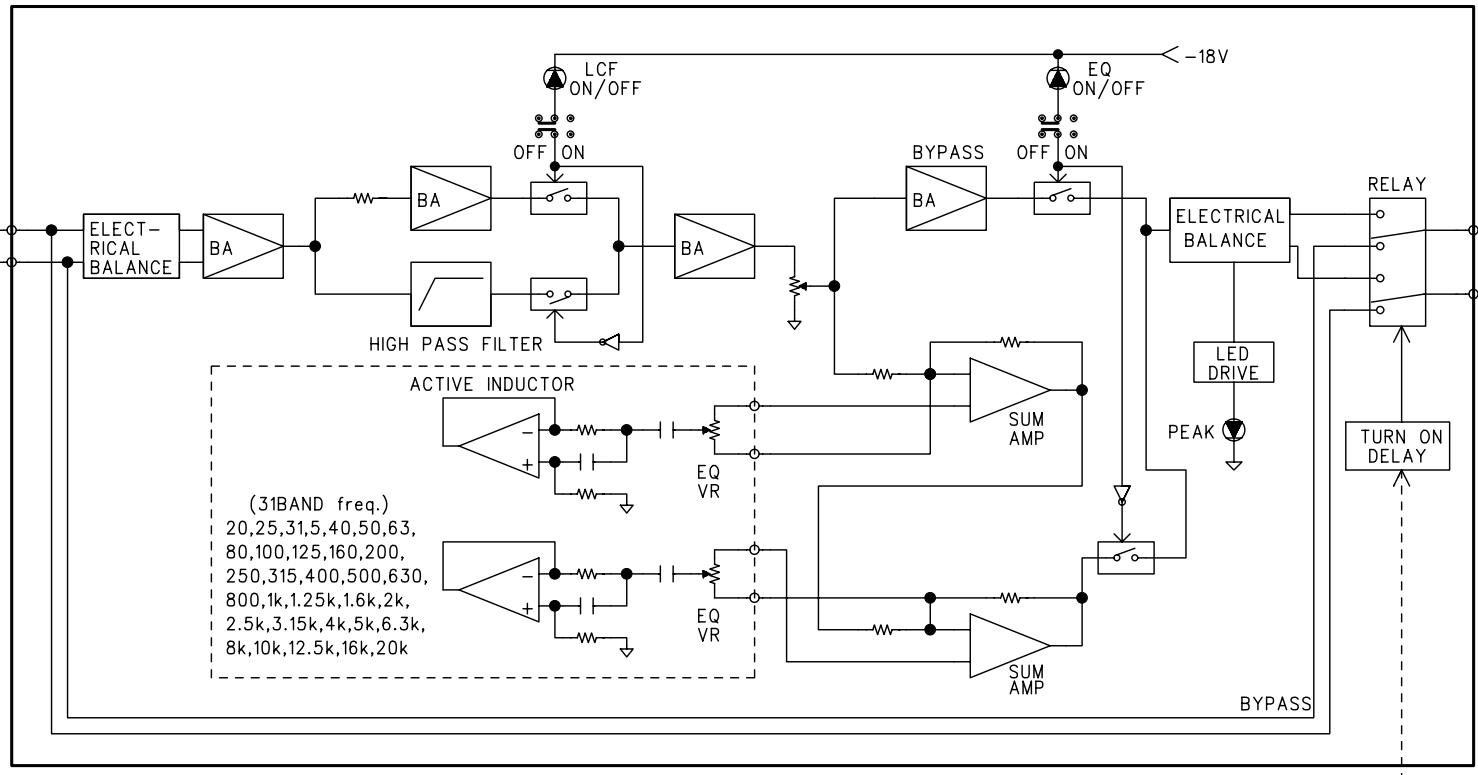
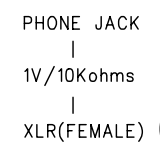
(NOTE)
TOP VIEW



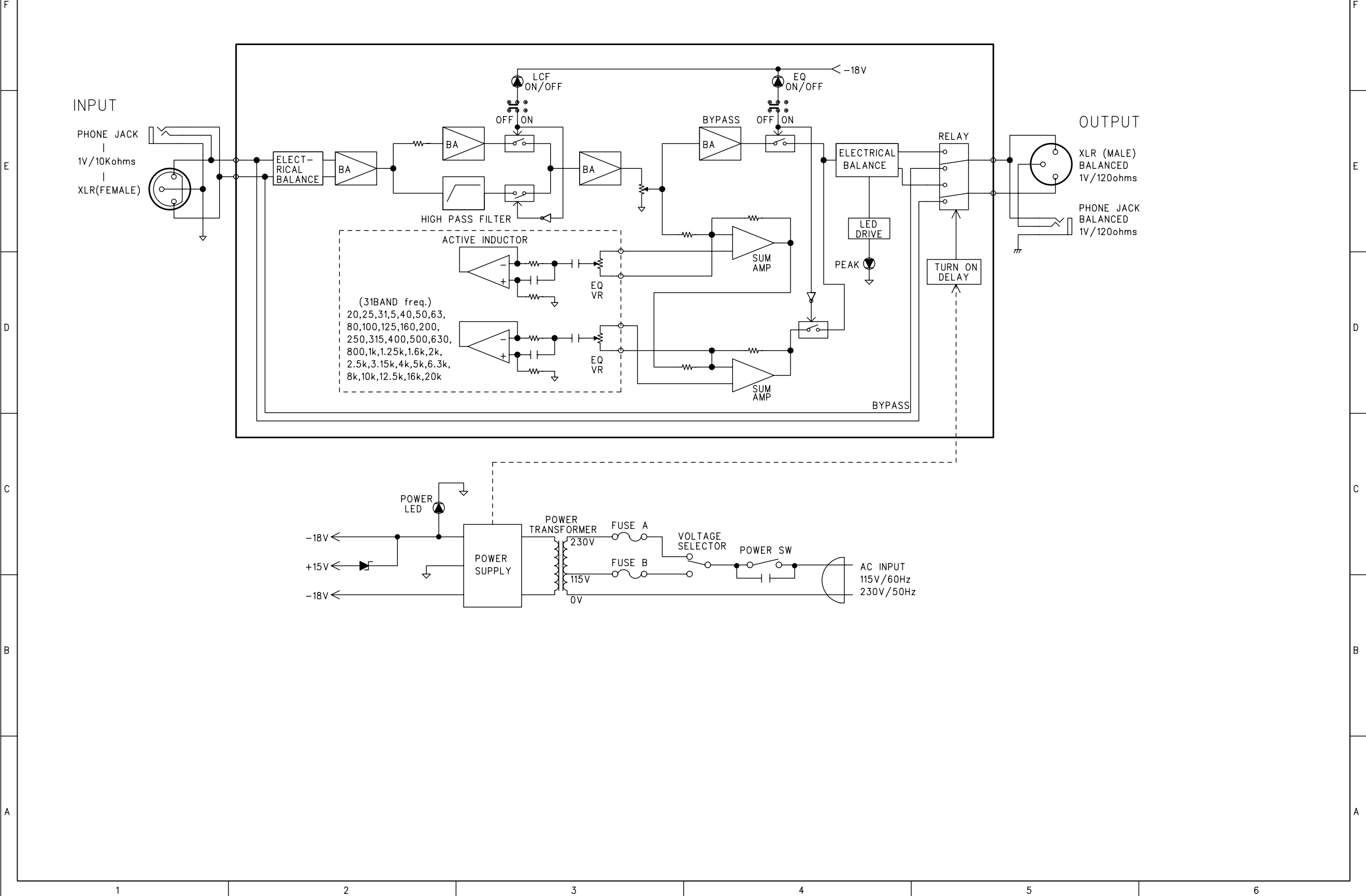
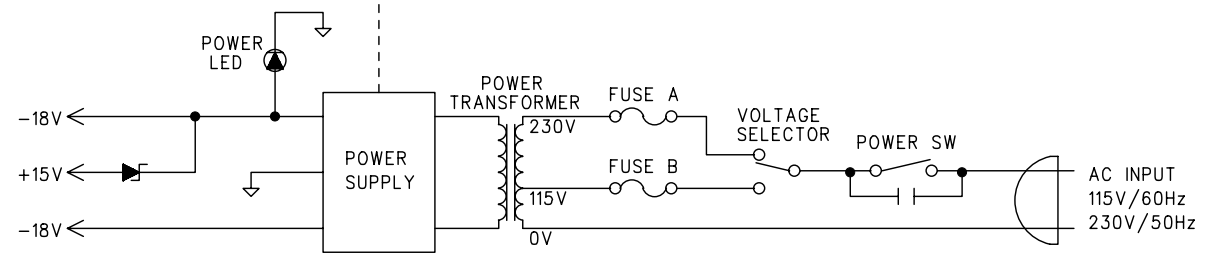
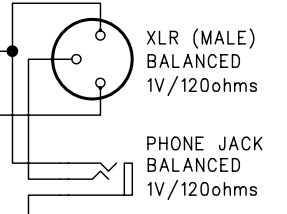
JAPAN : 100V/50Hz
US/CSA : 100V/60Hz
DOMESTIC : 230V/50Hz
EUROPE : 230V/50Hz

1		2			3		4		5		6	
COMPANY	INTER.M	APPLICANT	REVISED NUMBER AND DATE			SIGN	DRAWN	CHECKED	APPROVED	NOTE	SHEET NO.	BLOCK DIAGRAM
TYPE CODE			1.	4.	7.		M Y PARK					MODEL : EQ-9131 Q-131
APPROVED DATE			2.	5.	8.							
			3.	6.	9.							

INPUT

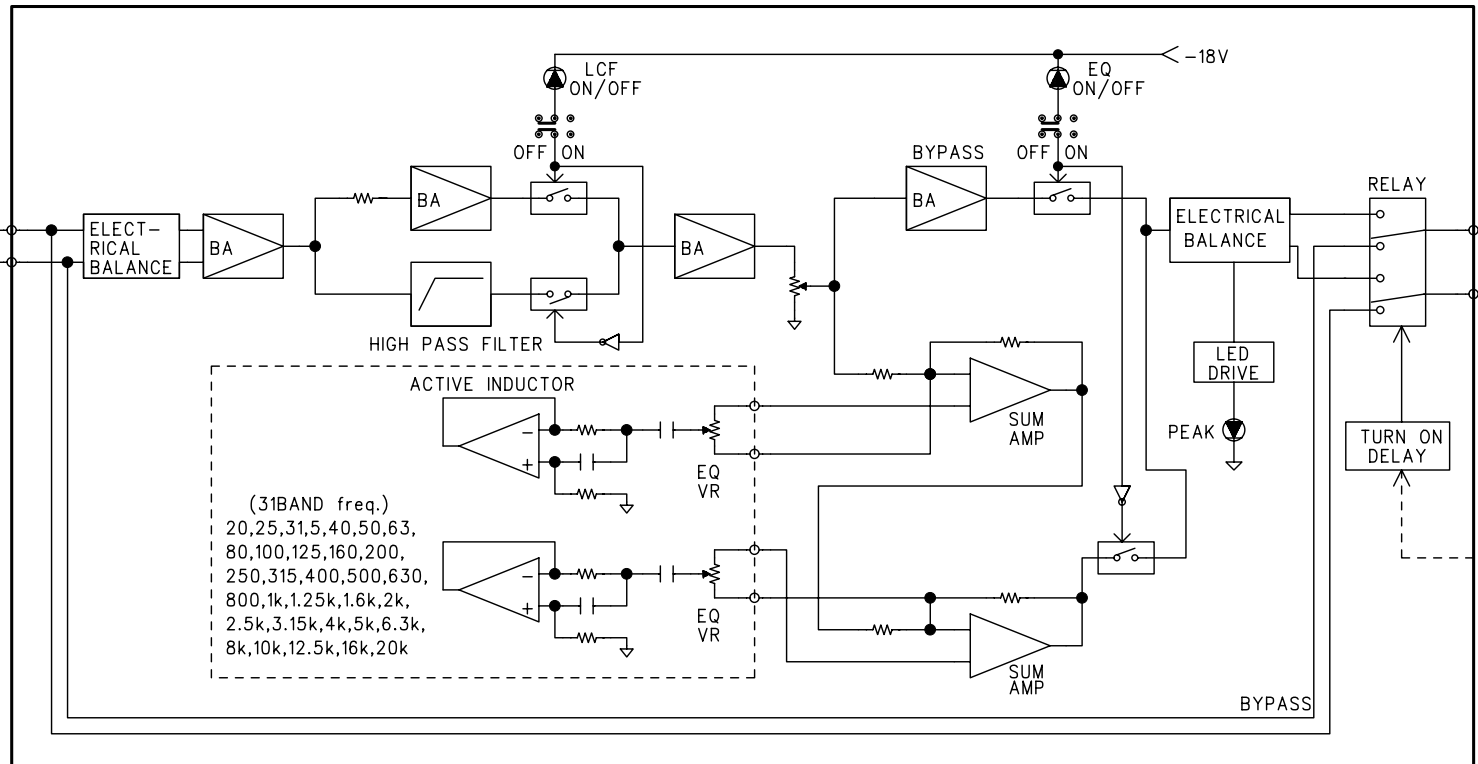
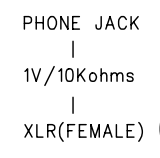


OUTPUT

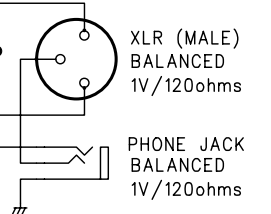


1		2			3		4		5		6	
COMPANY	INTER.M	APPLICANT	REVISED NUMBER AND DATE			SIGN	DRAWN	CHECKED	APPROVED	NOTE	SHEET NO.	BLOCK DIAGRAM
TYPE CODE			1.	4.	7.		M Y PARK					MODEL : EQ-9231 Q-231
APPROVED DATE			2.	5.	8.							
			3.	6.	9.							

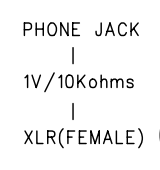
CH1
INPUT



OUTPUT



CH2
INPUT



OUTPUT

