

SERVICE

MANUAL

M O N O P O W E R E D

MIXER

CA-8130D

interM

ELECTRICAL PARTS LIST (CA - 8130D)

Ref No.	Value	Qty
CHANNEL B'D		
R33 R127 R32 R128-129	10	5
C6 C104 C106 C116 C205 C208 C114	10/25	7
C23-24 C61 C117 C124 C127-128 C142 C209 C226-227	100/25	11
C157 C145 C156 C229-230 C16 C213 C10 C20 C147 C121 C216 C150 C122	47/25	14
C7	470P	1
C155	47/16(BP)	1
R13 R26 R103 R106 R108 R112 R115 R117 R121 R133 R139 R143 R202 R206 R210 R212 R415	100K	17
R11 R21 R27 R105 R29 R107 R114 R116 R120 R130-132 R138 R140 R142 R201 R204-205 R211 R303 R134	10K	20
R203	2.4K	1
R19 R18 R104 R113 R123 R136 R215	12K	7
R101-102 R110-111 R22	8.2K	5
R23 R25 R28 R125	18K	4
R7-8 R209	1K	3
D1-7	1N4148	7
C8 C19 C101 C103 C113 C120 C144 C154 C202 C204 C111	22/25	11
C151 C214 C210	22/25(N)	3
C119 C126	22P	2
R20 R24 R1001 R1002-1005	220	7
C118 C125 C211 C206	220P	4
R6 R17 R414	33K	3
R109 R118 R207 R227	22K	4

R31 R302	3.3K	2
R14	13K	1
R119 R213	30K	2
R208	27K	1
C9 C11 C102 C112	100P	4
C12 C17 C105 C115 C143 C149 C152 C207 C212 C215 C203	33P	11
C123	10P	1
C141	390P	1
C148 C153	4.7/50(N)	2
R12 R30 R126	4.7K	3
R301	47	1
C1-2	47/63	2
C228	100/63	1
C4-5	47P	2
R122 R135	47K	2
R15-16	5.6K	2
C107-110 C201	560P	5
R9	56K	1
R1-2	6.8K	2
R124 R137 R214	75	3
J101-102	RCA JACK	2
SW301	PUSH SW	1
U3	KIA6900P	1
Q1	KTC3198	1
C146	M102	1
C15	M152	1
C21-22 C129-130	M104	4
C138	M123	1
C140	M122	1
C135	M223	1
C13-14	M273	2
C137	M393	1
C139	M392	1
C132	M684	1
C133	M224	1
C134	M683	1
C136	M682	1
U1	NJM2068L	1
U2 U101-105	NJM4558D	8
U201-202		
J2 J103-105 J201-202	PHONE JACK	6
VR1-2	B100K	2
VR3-5 VR101-102	A20K	7

VR201 VR203		
VR105-108 VR104	W100K	5
VR103 VR202 VR109	A10K	3
J1	XLR JACK	1
LD1 LD303	KLR124	2
LD302	KLG124	1
LD301	KLY124	1

MAIN AMP B'D

C302	10/25(N)	1
R382	10	1
R376	120K	1
R377	27K	1
C340-341	4.7/50	2
C303	47/16(N)	1
CON5-6	5267-2P	2
CON7	8P	1
CON1 CON9-10	5237-3P	3
AC1	AC230/240V 50-60HZ	1
FS301	AC100.120V :51M 250V 10A	1
Q503-504	ICP-N38	2
BD301	KBM25J	1
BD302-303	KBPC103	2
C301 C306	M102	2
C307-308	M223	2
C309 C331-332 C338	M104	4
C323 C319 C322	100P	3
C326 C325	M473	2
C324 C339	103P	2
C318	47P	1
C344-345	220P	2
C346	5P	1
C304 C310	100/50	2
C305 C314 C516	47/50	3
C313	0.47/50	1
C311	1/50	1
C315 C312	22/50	2
C320-321	0.22/50	2
C327-328	10000/80	2
C329-330	2200/25	2
C333-334	220/25	2
C335	470/63	1
C336	47/63	1
C337	100/63	1
C514	470/25	1
C515 C316	10/50	2
CON3	TRANS_IN	1

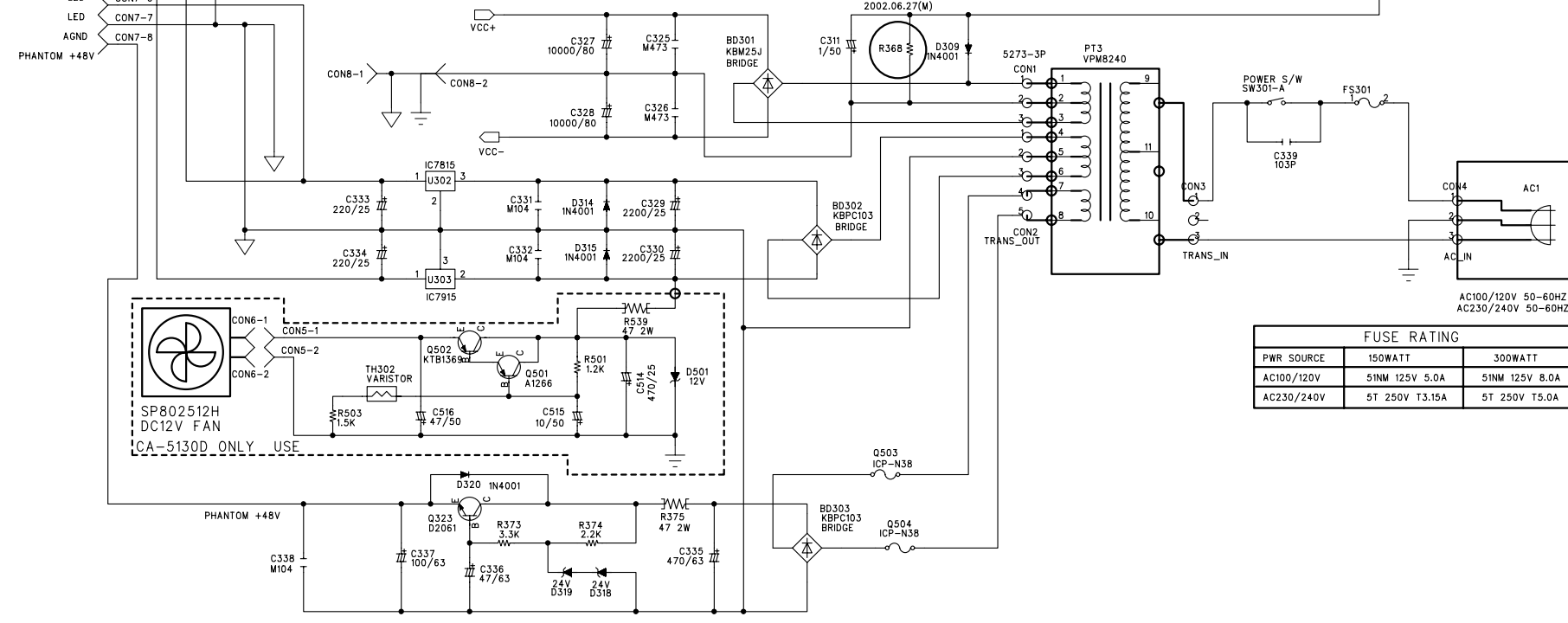
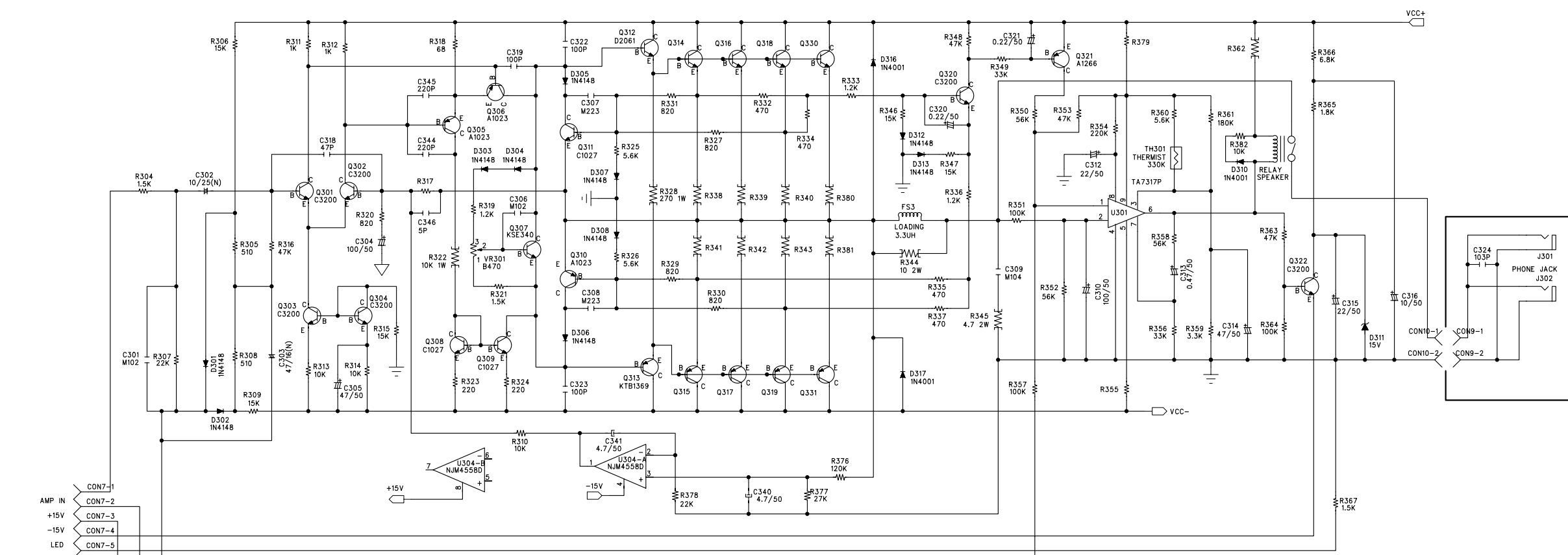
CON4	AC_IN	1
CON2	TRANS_OUT	1
D301-308 D312-313	1N4148	10
D309-310 D314-317 D320	1N4001	7
CON8		1
U302	7815	1
U303	7915	1
J301-302	PHONE JACK	2
FS3	3.3UH	1
U304	NJM4558D	1
PT1		1
FS4	SPEAKER	1
R304 R321 R367 R503	1.5K	4
R308 R305	510	2
R311-312	1K	2
R310 R313-314	10K	3
R315 R309 R346-347 R306	15K	5
R320 R327 R329-331	820	5
R326 R325 R360 R368	5.6K	4
R316 R348 R353 R363	47K	4
R335 R337 R332 R334	470	4
R318	68	1
R336 R333 R319 R501	1.2K	4
R352 R358 R350	56K	3
R355 R317	18K	2
R357 R364 R351	100K	3
R323-324	220	2
R356 R349	33K	2
R365	1.8K	1
R366	6.8K	1
R354	220K	1
R361	180K	1
R373 R359	3.3K	2
R378-379 R307	22K	3
R374	2.2K	1
R322	10K 1W	1
R328	270 1W	1
R338-343 R380-381	0.5 5W	8
R362	2K 1W	1
R375 R539	47 2W	2
R345	4.7 2W	1
R344	10 2W	1
SW301	POWER S/W	1
U301	TA7317P	1

TH301	330K	1
TH302	VARISTOR	1
Q301-304 Q320 Q322	C3200	6
Q307	KSE340	1
Q311 Q308-309	C1027	3
Q316 Q318 Q314 Q330	C5242	4
Q323 Q312	D2061	2
Q305-306 Q310	A1023	3
Q313 Q502	KTB3169	2
Q315 Q317 Q319 Q331	A1962	4
Q321 Q501	A1266	2
VR301	B470	1
D311	15V	1
D318-319	24V	2
D501	12V	1
DC FAN	SP802512H	1

DSP B'D

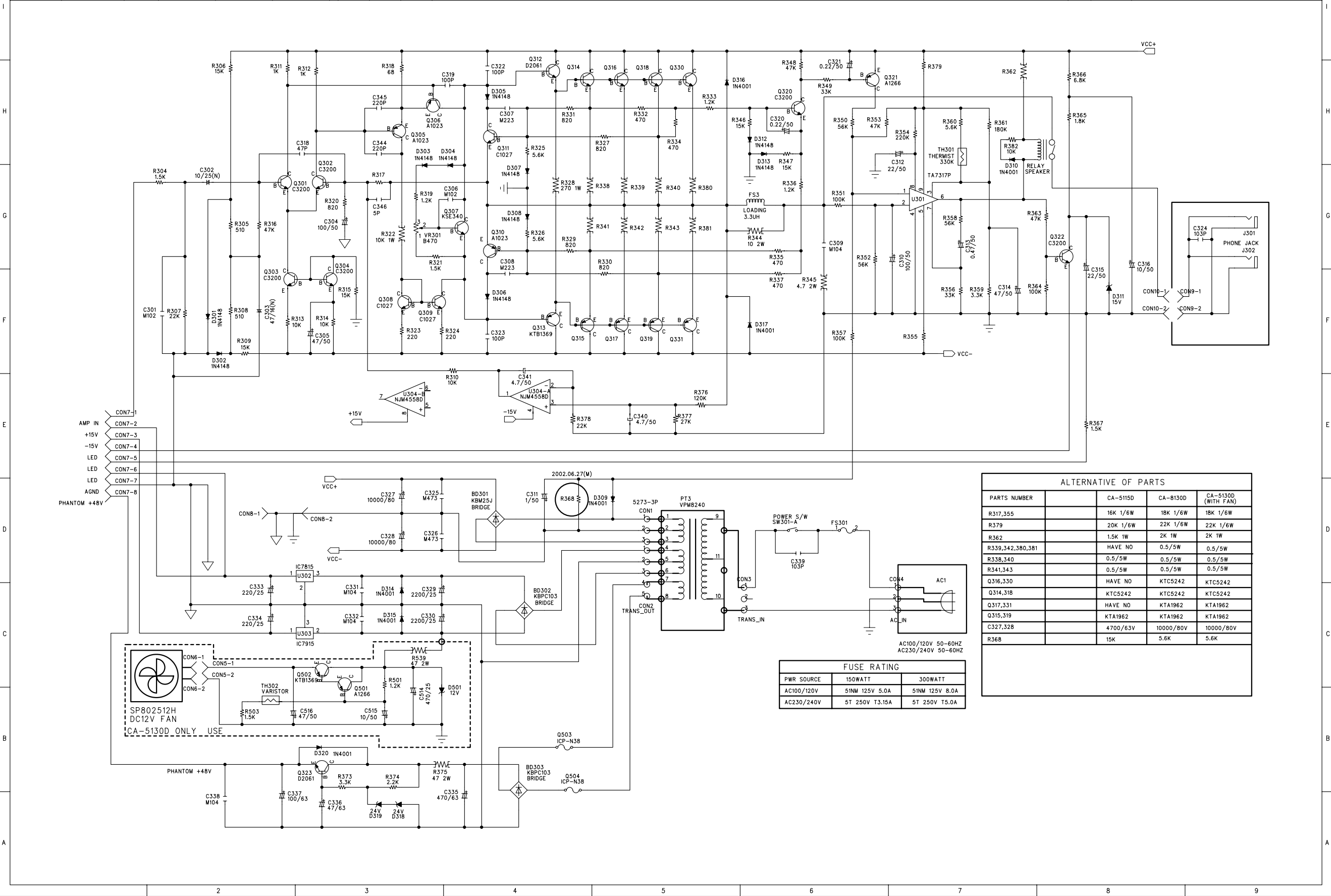
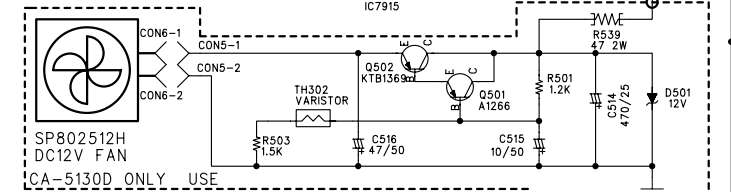
R469	1.5K	1
R441 R443	1.5M	2
C401 C412 C419	1/50	3
C402	1/50	1
R447 R473-474 R476	10	4
R438-439	100	2
C431 C440	100/25	2
C411 C418 C442 C446 C451	100P	5
R471 R475	100K	2
R402-403 R405-406 R412 R416 R426 R430 R444-445 R454-455 R458 R463 R472 R477 R478-479	10K	18
R440 R442	150K	2
R408-411 R422-425	15K	8
R413 R427	18K	2
R460 R465	1K	2
R446 R462 R467	1M	3
D402-403	1N4148	2
R418-419 R432-433	2.2K	4
R414-415 R428-429	2.7K	4
R459 R464	20K	2
C406 C430 C439	22/25	3
C443 C447	22/25	2
C432-433	27P	2
Q402-403	2SJ103	2
R435	33	1

R404	3K	1
R407 R420-421 R434	4.7K	4
R457	47(2W)	1
C441	47/25	1
C423 C452 C454	47/50	3
R417 R431	33K	2
R468 R470	51K	2
CN403-404	5045-3P	2
CN401	5045-5P	1
C405 C408 C415	560P	3
R450 R452	680K	2
R449 R451	68K	2
R401 R436	7.5K	2
R437	75K	1
IC406	M65841SP	1
FL401	FER/BEAD	1
SW401	VOCAL	1
SW402-403	JPS2281EA	2
SW404	EFX-FOOT SW	1
Q405	A1268GR	1
Q406	C3198GR	1
C404 C409 C416 C426-428 C425-427 C422 C435 C437	M103	10
C429 C453 C455	M104	3
C421	0.33/50	1
C434 C436	M333	2
C407 C414 C448-450 C420 C413	M473	7
C403	M562	1
U401	NJM7805	1
IC401-402 IC404-405 IC407 IC403	NJM2068L	6
X401	4MHZ	1
LD401	EFX ON/OFF	1



ALTERNATIVE OF PARTS			
PARTS NUMBER	CA-5115D	CA-8130D	CA-5130D (WITH FAN)
R317,355	16K 1/6W	18K 1/6W	18K 1/6W
R379	20K 1/6W	22K 1/6W	22K 1/6W
R362	1.5K 1W	2K 1W	2K 1W
R339,342,380,381	HAVE NO	0.5/5W	0.5/5W
R338,340	0.5/5W	0.5/5W	0.5/5W
R341,343	0.5/5W	0.5/5W	0.5/5W
Q316,330	HAVE NO	KTC5242	KTC5242
Q314,318	KTA1962	KTC5242	KTC5242
Q317,331	HAVE NO	KTA1962	KTA1962
Q315,319	KTA1962	KTA1962	KTA1962
C327,328	4700/63V	10000/80V	10000/80V
R368	15K	5.6K	5.6K

FUSE RATING		
PWR SOURCE	150WATT	300WATT
AC100/120V	51NM 125V 5.0A	51NM 125V 8.0A
AC230/240V	5T 250V T3.15A	5T 250V T5.0A

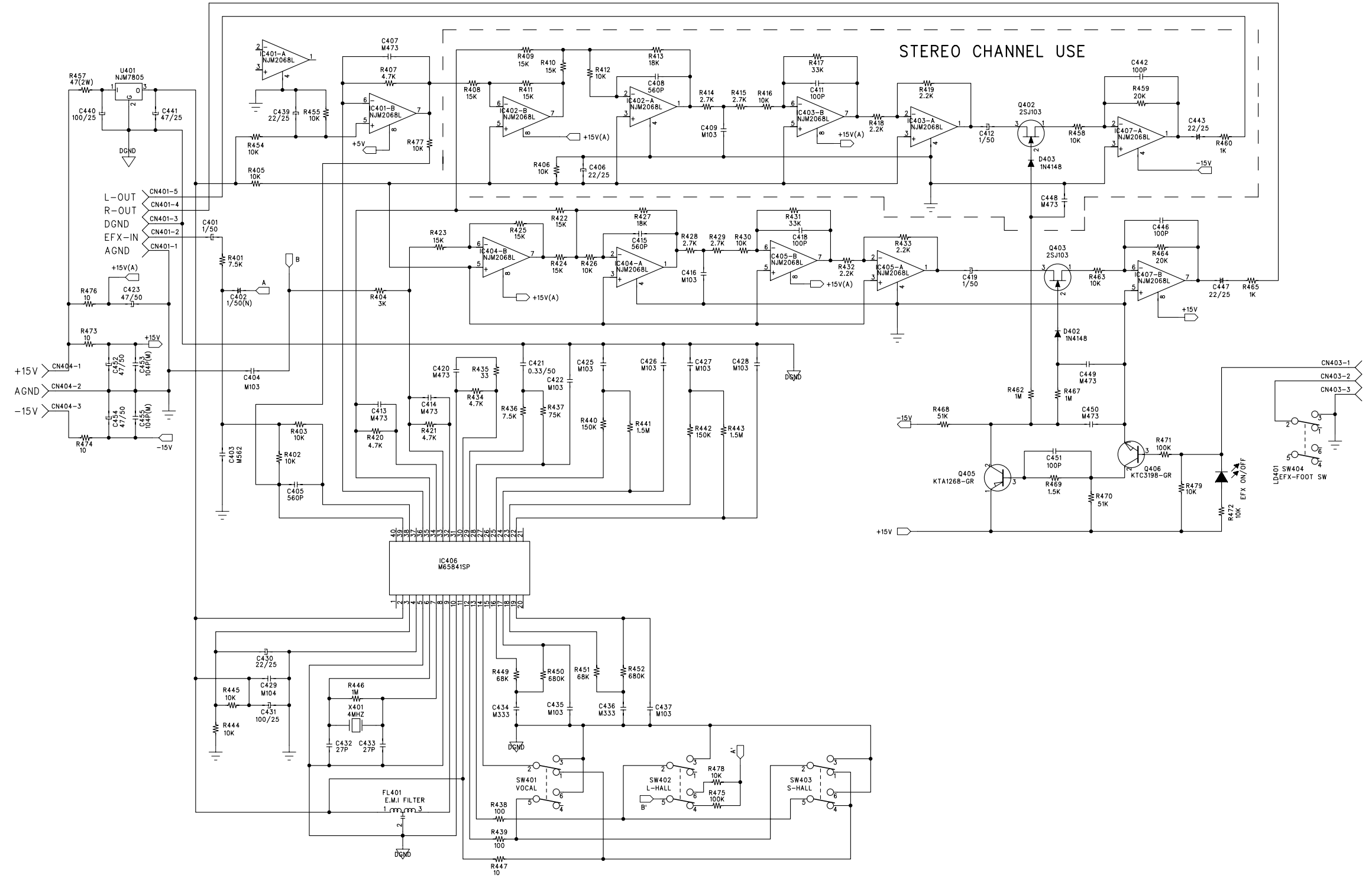


1	2	3	4	5	6	7	8	9
COMPANY	INTER.M	APPLICANT	REVISED NUMBER AND DATE	DRAWN	CHECKED	APPROVED	NOTE	
TYPE CODE			1. 4. 7.					
APPROVED DATE			2. 5. 8.					
			3. 6. 9.					

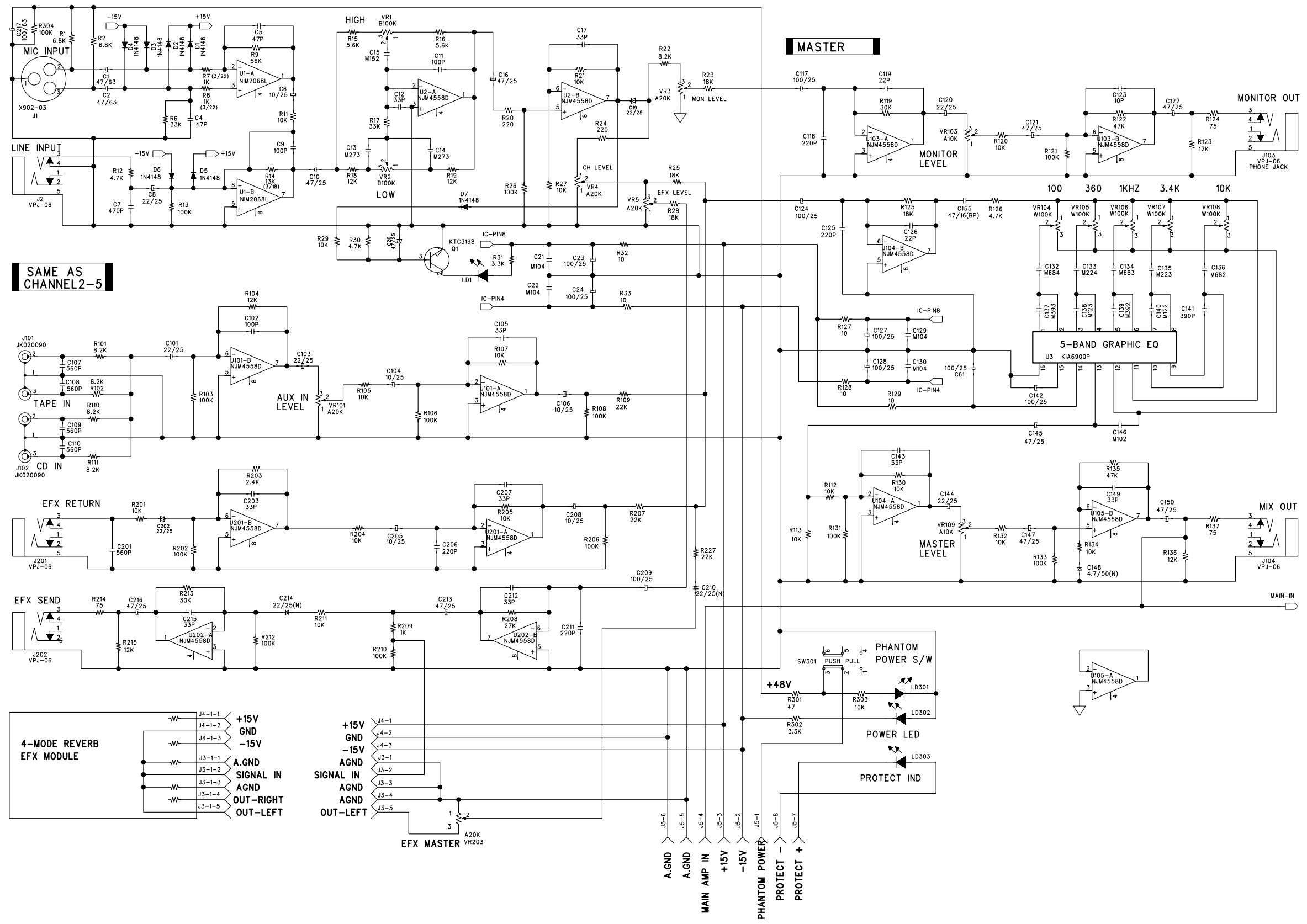
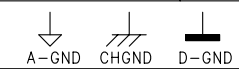
SIZE: A2 SHEET NO.: 1/1

 SCHEMATIC DIAGRAM

 MODEL : CA-5115D/5130D



COMPANY	INTER.M	APPLICANT	REVISED NUMBER AND DATE						DRAWN	CHECKED	APPROVED	NOTE	SIZE	SHEET NO.	SCHEMATIC DIAGRAM
TYPE CODE			1.	4.	7.								A2	1/1	MODEL : CA-5115D/5130D
APPROVED DATE			2.	5.	8.										
			3.	6.	9.										



SAME AS CHANNEL 2-5

