

SERVICE

MANUAL

S T E R E O P O W E R E D

MIXER

CA-6220/8220

interM

ELECTRICAL PARTS LIST (CA-6220-8220)

Ref No.	Part No.	Description	Value	Qty
INPUT B'D (4003494500)				
C106-107	3609333120-T	CAP MA 0.033UF 100V J	M333	2
C108	3609122120-T	CAP MA 0.0012UF 100V J	M122	1
C109	3609222120-T	CAP MA 0.0022UF 100V J	M222	1
C110	3609562120-T	CAP MA 0.0056UF 100V	M562	1
C114	3609473120-T	CAP MA 0.047UF 100V	M473	1
CR117 CR113-112 CR118-119 C20	3529103531-A	CAP CE F 10000PF 50V Z	0.01	6
CR105-106	3539102231-A	CAP CE YP 1000PF 50V K AXIAL	1000P	2
CR107-108	3509221231-A	CAP CE B 220PF 50V K AXIAL	220P	2
CR109 CR101 CR103	3509151231-A	CAP CE B 150PF 50V K AXIAL	150P	3
CR110 CR105 CR111 CR114	3529220311-A	CAP CE SL 22PF 50V J AXIAL	22P	4
CR119 CR102 CR104 C5	3509101231-A	CAP CE B 100PF 50V K AXIAL	100P	4
C101-102	3409247081-T	CAP AF SG 47UF 63V 8 P	47/63	2
C103 C105 C111 C113	3409247071-T	CAP AF RSG 47UF 50V 6 P	47/50	4
C112	3409210059-T	CAP RG 10UF 50V 105C	10/50	1
C104	3409210221-T	CAP AF RSG 1000UF 6.3V 10 P	1000/6.3	1
CN101	4428592514	WAFER BOX PIN (14P) PC-1635	WAFER 14P	1
D101	2058304100	DIODE IN4148M	1N4148	1
U101-102	2118010590	IC NJM4558D JRC	4558D	2
JK102	4438097310	JACK PHONE 4P	PHONE JACK	1
JK101	4438193710	XLR JACK(F) 3P(E303A0070N)	XLR JACK	1
LD101	2300030105	LED LTL-1CHE-021A LITEON	16KHR-021A	1
R105-106 R132 R152	3009682973	RES CF 6.8K 1/5W J N	6.8K	4
R109-110 R134 R136 R143-147	3009183973	RES CF 18K 1/5W J N	18K	9
R118 R120	3003220953	RES CF 2.2K 1/5W F N	2.2K	2
R119 R117	3003820953	RES CF 8.2K 1/5W FN	8.2K	2
R122 R121	3009681973	RES CF 680 1/5W J N	680	2
R124-125	3009273973	RES CF 27K 1/5W J N	27K	2
R126 R139	3009101973	RES CF 100 1/5W J N	100	2
R128 R131 R133 R135 R102 R104	3009103973	RES CF 10K 1/5W J N	10K	6
R111-112 R115-116	3009100973	RES CF 10 1/5W J N	10	4
R138 R107	3009104973	RES CF 100K 1/5W J N	100K	2
R140 R142 R113-114 R127	3009473973	RES CF 47K 1/5W J N	47K	5
R129	3009333973	RES CF 33K 1/5W J N	33K	1
R137	3009470973	RES CF 47 1/5W J N	47	1
R123	3005430953	RES CF 43 1/5W FN	43	1
R148	3009222973	RES CF 2.2K 1/5W J N	2.2K	1
R149	3009474973	RES CF 470K 1/5W J N	470K	1
R150	3009184973	RES CF 180K 1/5W J N	180K	1
R151	3009182973	RES CF 1.8K 1/5W J N	1.8K	1
R108	3079470275	RES ERD-2FCVG 470T 1/4W R	4.7 1/4W	1
R101 R103	3009153973	RES CF 15K 1/5W J N	15K	2
R141	3009220973	RES CF 22 1/5W J N	22	1
R130	3009472973	RES CF 4.7K 1/5W J N	4.7K	1
Q103 Q104	2008606108	KTC3200-BL-AT	C 3220BL	2
Q105	2008613000-T	TR NPN 2SD1111 (SANYO,NEC)	2SD 1111	1
Q101-102	2008207100-T	TR PNP 2SA 970BL-TPE2	2SA 970BL	2
VR102-104	3238092410	VR RK11K116010653B	50KB	3
VR105-106	3238092210	VR RK11K112000323A	20KAC	1
VR101	3238092110	VR RK11K112000223G	20KRD	1
VR108	3228079920	VR RK11K112010613A	10KW	1
VR107	3238092010	VR RK14K126000123Z	20KAC	1
LINE L B'D (4003494320)				
CR301	3509221231-A	CAP CE B 220PF 50V K AXIAL	220P	1
CR302	3529330311-A	CAP CE SL 33PF 50V J AXIAL	33P	1
CR303-304 CR306-308	3529103531-A	CAP CE F 10000PF 50V Z	0.01	5
CR305 CR310	3509820231-A	CAP CE B 82PF 50V K AXIAL	82P	2
CR309	3509101231-A	CAP CE B 100PF 50V K AXIAL	100P	1
C301	3409222141-T	CAP AF RSG 220UF 25V J 8 P	220/25	1
C302-304	3409222071-T	CAP AF RSG 22UF 50V 5 P	22/50	3
C305	3409247071-T	CAP AF RSG 47UF 50V 6 P	47/50	1
CN301	4428592514	WAFER BOX PIN (14P) PC-1635	WAFER 14P	1
CN302	4428592012	WAFER 2DC LA-2680-12P	WAFER LA 12P	1
CN31 CN81	4428594902	LA5268/LAB0640/2.5MM-02P	WAFER LA 2P	2
CN91	4428598703	CONNECTOR WAFER LA-0640-3P	WAFER LA 3P	1

U301	2118010590	IC NJM4558D JRC	4558D	1
U302	2118220988	IC NJM 4580D	4580D	1
JK301-302	4438097310	JACK PHONE 4P	JACK PHONE 4P	2
R306	3009473973	RES CF 47K 1/5W J N	47K	1
R301	3009273973	RES CF 27K 1/5W J N	27K	1
R302-303	3009103973	RES CF 10K 1/5W J N	10K	2
R304	3009104973	RES CF 100K 1/5W J N	100K	1
R305	3009101973	RES CF 100 1/5W J N	100	1
R307	3009153973	RES CF 15K 1/5W J N	15K	1
R308	3009113973	RES CF 11K 1/5W J N	11K	1
R309	3009331973	RES CF 330 1/5W J N	330	1
VR301	3228079920	VR RK11K112010613A	10KA	1

LINE R B'D (4003494210)

CR401	3509221231-A	CAP CE B 220PF 50V K AXIAL	220P	1
CR402	3529330311-A	CAP CE SL 33PF 50V J AXIAL	33P	1
CR403-404 CR406-408	3529103531-A	CAP CE F 10000PF 50V Z	0.01	5
CR405 CR410	3509820231-A	CAP CE B 82PF 50V K AXIAL	82P	2
CR409	3509101231-A	CAP CE B 100PF 50V K AXIAL	100P	1
C401	3409222141-T	CAP AF RSG 220UF 25V J 8 P	220/2	1
C402-404	3409222071-T	CAP AF RSG 22UF 50V 5 P	22/50	3
C405	3409247071-T	CAP AF RSG 47UF 50V 6 P	47/50	1
CN182	4428592514	WAFER BOX PIN (14P) PC-1635	WAFER 14P	1
CN172	4428592012	WAFER 2DC LA-2680-12P	WAFER LA 12P	1
CN41 CN82	4428594902	LA5268/LAB0640/2.5MM-02P	WAFER LA 2P	2
CN92	4428598703	CONNECTOR WAFER LA-0640-3P	WAFER 3P	1
U401	2118010590	IC NJM4558D JRC	4558D	1
U402	2118220988	IC NJM 4580D	4580D	1
JK401-402	4438097310	JACK PHONE 4P	JACK PHONE 4P	2
R401	3009273973	RES CF 27K 1/5W J N	27K	1
R402-403	3009103973	RES CF 10K 1/5W J N	10K	2
R404	3009104973	RES CF 100K 1/5W J N	100K	1
R405	3009101973	RES CF 100 1/5W J N	100	1
R406	3009473973	RES CF 47K 1/5W J N	47K	1
R407	3009153973	RES CF 15K 1/5W J N	15K	1
R408	3009113973	RES CF 11K 1/5W J N	11K	1
R409	3009331973	RES CF 330 1/5W J N	330	1
VR401	3228079920	VR RK11K112010613A	10KA	1

TAPE B'D (4003494240)

CR701-704	3509101231-A	CAP CE B 100PF 50V K AXIAL	100P	4
CR705-707	3529103531-A	CAP CE F 10000PF 50V Z	0.01	3
C701-704	3409222071-T	CAP AF RSG 22UF 50V 5 P	22/50	4
CN183	4428592514	WAFER BOX PIN (14P) PC-1635	WAFER	1
CN151	4428598304	WAFER LW-0640-4P	WAFERNLW 4P	1
U701	2118010590	IC NJM4558D JRC	4558D	1
JK701	4438193410	JACK RCA 2P(JK0200500N)	JACK RCA 2P	1
R718	3009273973	RES CF 27K 1/5W J N	27K	1
R716	3009363973	RES CF 36K 1/5W J N	36K	1
R701-702 R705-706	3009101973	RES CF 100 1/5W J N	100	4
R703-704 R713-714	3009473973	RES CF 47K 1/5W J N	47K	4
R709-710	3009103973	RES CF 10K 1/5W J N	10K	2
R711-712	3009153973	RES CF 15K 1/5W J N	15K	2
R707-708	3009183973	RES CF 18K 1/5W J N	18K	2
R715	3009273973	RES CF 27K 1/5W J N	27K	1
R717	3009363973	RES CF 36K 1/5W J N	36K	1
VR4 VR701	3228080410	VR RK14K122010623A	20KA	2

REC B'D (4003494250)

C1101-1102	3409210142	CAP AF SE 100UF 25V 8X5(2.5MM)	100/25	2
CN184	4428592514	WAFER BOX PIN (14P) PC-1635	WAFER 14P	1
CN173	4428592012	WAFER 2DC LA-2680-12P	WAFER LA 12P	1
AN150	4355822501	CON ASSY 4P	CON ASSY	1
JK1101	4438193410	JACK RCA 2P(JK0200500N)	JACK RCA2P	1
R1101-1102	3009152973	RES CF 1.5K 1/5W J N	1.5K	2
R1103-1104	3009122973	RES CF 1.2K 1/5W J N	1.2K	2
R1105-1108	3009363973	RES CF 36K 1/5W J N	36K	4
VR1101	3228080410	VR RK14K122010623A	20KA	1
VR1102	3238090710	VR RK14K122010652A	5KA	1

RET1 B'D (4003494220)

CR501-504	3509101231-A	CAP CE B 100PF 50V K AXIAL	100P	4
CR505-507 CR510-511	3529103531-A	CAP CE F 10000PF 50V Z	0.01	5
CR508	3509221231-A	CAP CE B 220PF 50V K AXIAL	220P	1
CR509	3529220311-A	CAP CE SL 22PF 50V J AXIAL	22P	1
CR513	3529330311-A	CAP CE SL 33PF 50V J AXIAL	33P	1
C501-502	3409222071-T	CAP AF RSG 22UF 50V 5 P	22/50	2
C505 C508	3409222141-T	CAP AF RSG 220UF 25V J 8 P	220/25	2

CN185	4428592514	WAFER BOX PIN (14P) PC-1635	WAFER 14P	1
AN120	4355822007	CON ASSY 2P	CON ASSY 2P	1
CN141	4428598705	CONNECTOR WAFER LA-0640-5P	WAFER 5P	1
C503-504 C506-507	3409210071-T	CAP AF RSG 10UF 50V 5 P	10/50	4
U501	2118010590	IC NJM4558D JRC	4558D	1
U502	2118220988	IC NJM 4580D	4580D	1
JK501-503	4438094210	JACK PHONE (DAE RYUNG 3P)	PHONE JACK	3
R501-502 R505-508	3009220973	RES CF 22 1/5W J N	22	6
R503-504	3009223973	RES CF 22K 1/5W J N	22K	2
R509-510 R517	3009104973	RES CF 100K 1/5W J N	100K	3
R512 R511	3009433973	RES CF 43K 1/5W JN	43K	2
R514	3009183973	RES CF 18K 1/5W J N	18K	1
R515	3009333973	RES CF 33K 1/5W J N	33K	1
R516	3009750973	RES CF 75 1/5W JN	75	1
R513	3009363973	RES CF 36K 1/5W J N	36K	1
SW501	4628985310	SW ROTARY 4-BIT 288S0198 CTS	SW ROTARY	1
SW502	4628992410	SW PUSH SPUN19X1M011	PUSH SWICH	1
VR501	3228080410	VR RK14K122010623A	20KA	1
VR502	3228079920	VR RK11K112010613A	10KA	1

RET2 B'D (4003494230)

C610 CR605-607 CR611	3529103531-A	CAP CE F 10000PF 50V Z	0.01	5
CR601-604	3509101231-A	CAP CE B 100PF 50V K AXIAL	100P	4
CR609	3529220311-A	CAP CE SL 22PF 50V J AXIAL	22P	1
CR608	3509221231-A	CAP CE B 220PF 50V K AXIAL	220P	1
CR613	3529330311-A	CAP CE SL 33PF 50V J AXIAL	33P	1
C601-602	3409222071-T	CAP AF RSG 22UF 50V 5 P	22/50	2
C605 C608	3409222141-T	CAP AF RSG 220UF 25V J 8 P	220/25	2
CN186	4428592514	WAFER BOX PIN (14P) PC-1635	WAFER 14P	1
CN121	4428594902	LA5268/LAB0640/2.5MM-02P	WAFER LA 2P	1
AN160	4355822501	CON ASSY 4P	CON ASSY	1
CN131	4428598704	CONNECTOR WAFER LA-0640-4P	WAFER 4P	1
CN142	4428598705	CONNECTOR WAFER LA-0640-5P	WAFER 5P	1
D601	2058100996	DIODE RECTIFIER LT1N4006(4007)	1N4006	1
C603-604 C606-607	3409210071-T	CAP AF RSG 10UF 50V 5 P	10/50	4
U601	2118010590	IC NJM4558D JRC	4558D	1
U602	2118220988	IC NJM 4580D	4580D	1
JK601-603	4438094210	JACK PHONE (DAE RYUNG 3P)	PHONE JACK	3
R601-602 R605-608	3009220973	RES CF 22 1/5W J N	22	6
R603-604	3009223973	RES CF 22K 1/5W J N	22K	2
R609-610 R617	3009104973	RES CF 100K 1/5W J N	100K	3
R612 R611	3009433973	RES CF 43K 1/5W JN	43K	2
R614	3009183973	RES CF 18K 1/5W J N	18K	1
R615	3009333973	RES CF 33K 1/5W J N	33K	1
R616	3009750973	RES CF 75 1/5W JN	75	1
R613	3009363973	RES CF 36K 1/5W J N	36K	1
R618	3009473973	RES CF 47K 1/5W J N	47K	1
R619	3009103973	RES CF 10K 1/5W J N	10K	1
R620	3009561973	RES CF 560 1/5W J N	560	1
RY601	5528009960	RELAY RZ-12 RY-12W	RELAY	1
SW601	4628985310	SW ROTARY 4-BIT 288S0198 CTS	SW ROTARY	1
Q602	2008606105-T	TR NPN KTA1266-Y-AT TO-92	KTA 1266Y	1
VR601	3228080410	VR RK14K122010623A	20KA	1
VR602	3228079920	VR RK11K112010613A	10KA	1

MONI B'D (4003494200)

D1001	2300032105	LED LTL-1CHG-021A LITEON	16KG-021A	1
CR1001-1006	3509101231-A	CAP CE B 100PF 50V K AXIAL	100P	6
CR1007-1008	3539102231-A	CAP CE YP 1000PF 50V K AXIAL	0.001	2
CR1009-1010 CR1013 CR1015-1016	3529103531-A	CAP CE F 10000PF 50V Z	0.01	5
CR1014	3529470311-A	CAP CE SL 47PF 50V J AXIAL	47P	1
CR1012	3529680311-A	CAP CE SL 68PF 50V J AXIAL	68P	1
CR1011	3509221231-A	CAP CE B 220PF 50V K AXIAL	220P	1
C1001-1002 C1008-1009	3409222071-T	CAP AF RSG 22UF 50V 5 P	22/50	4
C1005-1006	3409210142	CAP AF SE 100UF 25V 8X5(2.5MM)	100/25	2
C1007 C1003-1004 C1010	3409222141-T	CAP AF RSG 220UF 25V J 8 P	220/25	4
CN187	4428592514	WAFER BOX PIN (14P) PC-1635	WAFER 14P	1
CN710	4428592012	WAFER 2DC LA-2680-12P	WAFER LA 12P	1
CN93	4428595002	LW5267/LWB0640/2.5MM-02P	CON WAFER 2P	1
CN12	4428594903	LA5268/LAB0640/2.5MM-03P	WAFER LA 3P	1
CN83	4428595003	LW5267/LWB0640/2.5MM-03P	CON WAFER 3P	1
CN161	4428598704	CONNECTOR WAFER LA-0640-4P	WAFER 4P	1
CN11	4428598706	CONNECTOR WAFER LA-0640-6P	WAFER 6P	1

U1001	2118010932	IC NJM 4556AD	IC NJM 4556AD	1
U1002	2118220988	IC NJM 4580D	4580D	1
JK1002	4438094210	JACK PHONE (DAE RYUNG 3P)	PHONE JACK	1
JK1001	4438097310	JACK PHONE 4P	JACK PHONE 4P	1
LD1001	2308237262-T	LED REF SLR 34MG 25	GRE	1
LD1002-1003	2300030105	LED LTL-1CHE-021A LITEON	16KHR-021A	2
FR1001-1002	3079100275	RES ERD-2FCVG 10T 1/4W R	10 1/4W	2
R1001-1002	3009101973	RES CF 100 1/5W J N	100	2
R1003-1004	3009221973	RES CF 220 1/5W J N	220	4
R1007-1008				
R1005-1006	3009183973	RES CF 18K 1/5W J N	18K	4
R1019-1020				
R1011-1012	3009103973	RES CF 10K 1/5W J N	10K	2
R1015-1016 R1023	3009104973	RES CF 100K 1/5W J N	100K	3
R1010 R1009 R1026	3009472973	RES CF 4.7K 1/5W J N	4.7K	3
R1021	3009333973	RES CF 33K 1/5W J N	33K	1
R1024-1025	3009563973	RES CF 56K 1/5W J N	56K	2
R1022	3009750973	RES CF 75 1/5W JN	75	1
R1028-1029	3009102973	RES CF 1K 1/5W J N	1K	2
R1013-1014	3039101472-F	RES MO 100 1W J	100/1W	2
R1027	3039122572-F	RES MO 1.2K 2W J	1.2K 2W	1
SW1001	4628986510	SW SLIDE SV60040-0102-8T-NN	SLIDE SW	1
VR1001 VR1003	3228080410	VR RK14K122010623A	20KA	2
VR1002	3228079920	VR RK11K112010613A	10KA	1

LED B'D (4003494310)

C1201-1208	3409247972-T	CAP AF RSS 4.7UF 50V 5 P	4.7/50	8
CN101 CN111	4428592012	WAFER 2DC LA-2680-12P	WAFER LA 12P	2
AN80	4355822200	CON ASS'Y 5P	ASSY 5P	1
U1201-1202	2118030405	KIA6966S	IC/6966S	2
U1203-1204	2118040105	KIA6967S	IC/6967S	2
LD1201-1216	2300032105	LED LTL-1CHG-021A LITEON	16KG-021A	16
LD1217-1220	2300030105	LED LTL-1CHE-021A LITEON	16KHR-021A	4
R1205-1206	3009104973	RES CF 100K 1/5W J N	100K	4
R1209-1210				
R1207-1208	3009181973	RES CF 180 1/5W J N	180	4
R1203-1204	3009473973	RES CF 47K 1/5W J N	47K	2
R1211-1212	3009563973	RES CF 56K 1/5W J N	56K	2
R1201-1202	3009682973	RES CF 6.8K 1/5W J N	6.8K	2
VR1201-1218	3238086110	VR RS20111CC00114W	10KW	18

EQ B'D (4003494300)

C802 C902	3639184111-T	CAP ECQ-V 1H184JL2 0.18UF 50V	M184	2
C804 C904	3609104122-T	CAP MA 0.1UF 100V J SMALL	M104	2
C806 C906	3609473120-T	CAP MA 0.047UF 100V	M473	2
C808 C908	3609223120-T	CAP MA 0.012UF 100V J	M223	2
C810 C910	3609123120-T	CAP MA 0.0056UF 100V	M123	2
C812 C912	3609562120-T	CAP MA 0.0056UF 100V	M562	2
C814 C914	3609272120-T	CAP MA 0.0027UF 100V J	M272	2
C816 C916	3609152120-T	CAP MA 0.0015UF 100V J	M152	2
C818 C918	3509681130-T	CAP CE B 680PF 50V K	680P	2
C903 C803	3639564111-T	CAP ECQ-V 1H564JL2 0.56UF 50V	M564	2
C905 C805	3639274111-T	CAP ECQ-V 1H274JL2 0.27UF 50V	M274	2
C907 C807	3609154122-T	CAP MA 0.15UF 100V MINI	M154	2
C909 C809	3609683120-T	CAP MA 0.068UF 100V J	M683	2
C911 C811	3609333120-T	CAP MA 0.033UF 100V J	M333	2
C913 C813	3609183120-T	CAP MA 0.018UF 100V	M183	2
C915 C815	3609822120-T	CAP MA 0.0082UF 100V	M822	2
C917 C817	3609472120-T	CAP MA 0.0047UF 100V J	M472	2
CR801-808 CR811-812	3529103531-A	CAP CE F 10000PF 50V Z	0.01	20
CR901-910				
CR809-810	3509101231-A	CAP CE B 100PF 50V K AXIAL	100P	2
C801 C901	3409210971-T	CAP AF RSG 1UF 50V 5 P	1/50	2
C819 C919	3409210142	CAP AF SE 100UF 25V 8X5(2.5MM)	100/25	2
CN100 CN110	4428592112	WAFER 2DC LW-2680-12P	WAFER LW 12P	2
AN90	4355822100	CON ASSY 8P	ASSY 8P	1
U801-804 U806	2118010590	IC NJM4558D JRC	4558D	10
U901-905				
R822 R922	3009104973	RES CF 100K 1/5W J N	100K	2
R14 R802 R804 R806	3009563973	RES CF 56K 1/5W J N	56K	18
R808 R810 R812 R814				
R816 R818 R902 R904				
R906 R908 R910 R912				
R916 R918				
R809 R901 R805 R903	3009561973	RES CF 560 1/5W J N	560	18
R811 R905 R803 R907				
R813 R909 R807 R911				

R815 R913 R915 R801 R917 R817				
R821 R921	3009331973	RES CF 330 1/5W J N	330	2
R820 R919-920 R819	3009272973	RES CF 2.7K 1/5W J N	2.7K	4

DSP B'D (4003485100)

IC3	2128310600	IC EPROM 27C512 ART LONG DELAY	27C512	1
C15-18 C28-29	3509103530-T	CAP CE F 0.01UF 50V Z	0.01/50	6
C7-8 C12 C21-22 C24-25	3509104530-T	CAP CE F 0.1UF 50V Z	0.1/50	7
C30	3509331130-T	CAP CE SL 330PF 50V J	330P	1
C3-4	3509330130-T	CAP CE SL 33PF 50V J	33P	2
CN21	4428598304	WAFER LW-0640-4P	WAFER 4P	1
AN130	4355821811	CON ASSY 5P-4P	CON ASSY 5P	1
AN140	4355821900	CON ASSY 10P	CON ASSY 10P	1
L1	2648699890	COIL INDUCTOR 100UH	100mH	1
X1	3908101070	CRYSTAL 16.000MHZ 49/U 30PF	16MHz	1
CR1-2	2058304100	DIODE IN4148M	1N 4148	2
C1	3409210971-T	CAP AF RSG 1UF 50V 5 P	1/50	1
C11	3409210071-T	CAP AF RSG 10UF 50V 5 P	10/50	1
C23	3409210112-T	CAP AF RSS 100UF 6.3V 6 P	100/6.3	1
C6 C9-10	3409222044	CAP AF RG 22UF 25V 105C	22/25	3
C19-20	3409222071-T	CAP AF RSG 22UF 50V 5 P	22/50	2
C2 C13-14	3409247971-T	CAP AF RSG 4.7UF 50V 5 P	4.7/50	3
C26-27	3409247041-T	CAP AF RSG 47UF 25V 5 P	47/25	2
IC5	2128514056	IC HD74HC30BP HT	74HC30	1
IC2	2128130400	DIG I.C. ASIC ART S-MOS	ASIC S-MOS	1
IC6	2128860000	IC CS4218-KL CRYSTAL	CS4218	1
IC1	2128401300	SRAM K6T 1008C2E-DB70000 32DIP	K6T 1008C2E-DB70000	1
IC4	2128514057	IC HD74HC374BP HT	74HC374	1
IC7	2118010432	IC NJM2068DD JRC	NJM 2068DD	1
R8 R22-23	3009104973	RES CF 100K 1/5W J N	100K	3
R17	3009100973	RES CF 10 1/5W J N	10	1
R1-3 R6-7 R11 R14-15 R30-37	3009103973	RES CF 10K 1/5W J N	10K	16
R5 R9 R12-13 R24-25	3009102973	RES CF 1K 1/5W J N	1K	6
R18 R38-45	3009332973	RES CF 3.3K 1/5W J N	3.3K	9
R19 R46-49	3009472973	RES CF 4.7K 1/5W J N	4.7K	5
R10 R20-21	3009474973	RES CF 470K 1/5W J N	470K	3
R16 R26-27	3009511973	RES CF 510 1/5W JN	510	3
R28-29	3009751973	RES CF 750 1/5W	750	2
Q1-4	2008606108-T	2008606108-T	C3200BL	4
CN3				1

AMP B'D (4003494400)

T101	4355823000	ASSY TERMINAL 1P (RED)	CON ASSY	1
T102	4355822900	ASSY TERMINAL 1P (BLU)	CON ASSY	1
T100 T104	4355823100	ASSY TERMINAL 1P (ORG)	CON ASSY	2
T105-107	4465998210	TERMINAL(250)PCB TAB	250	3
T108 T110	4355823300	ASSY TERMINAL 1P (YEL)	CON ASSY	2
T109	4355823200	ASSY TERMINAL 1P (BLK)	CON ASSY	1
C101-102	3549103107	CAP DE2F3KH103MA4B	103	2
C103-104	3619334153	CAP POLY TM 0.33UF 250V	0.33/250	2
C107-110 C113-114 C117-118 C124-127 C132 C135-138	3509103530-T	CAP CE F 0.01UF 50V Z	0.01	17
C1402 C1502	3688471118	CAP MO SR22C 471JA	470P	2
C1404 C1413-1414 C1403 C1503-1504 C1513-1514	3609104122-T	CAP MA 0.1UF 100V J SMALL	0.1/100	8
C1408 C1508	3678050177	CAP M1 DM10C 050D5	050D	2
C1410 C1409 C1509-1510	3609222120-T	CAP MA 0.0022UF 100V J	222M	4
C1507 C1407	3678220177	CAP M1 DM 10C 220J5	220	2
C1406 C1506	3698152198	CAP NPP POLY 152J 2J	152	2
CR1401 CR1501	3529103531-A	CAP CE F 10000PF 50V Z	10000P	2
C105-106	3419582202	CAP HQ 80V-8200UF	8200/80	2
C111-112	3409247261	CAP AF HC 4700UF 35V 22 P LUG	4700/35	2
C115-116	3409222171-T	CAP AF RSG 220UF 50V SG 10 P	220/50	2
C121-122	3409247137-T	CAP SD 470UF 16V 8P	470/16	2
C123 C140	3409210141-T	CAP AF RSG 100UF 25V 6 P	100/25	2
C129	3409247091-T	CAP E 47UF/100V	47/100	1
C130 C133	3409210181	CAP AF SG 100UF 63V	100/63	2
C131	3409222081-T	CAP AF RSG 22UF 63V 6 P	22/63	1
C134	3408210231	CAP RSA 1000UF 16V SNAP 13 P	1000/16	1
C139	3408222232	CAP E SG 2200UF 16V 13 P	2200/16	1
C128	3409210208	CAP HM 1000UF 80V 20X25	1000/80	1
C1405 C1505	3409810141-T	CAP AF NP 100UF 25V	100/25NP	2

C1412 C1411 C1511-1512	3409247991-T	CAP AF RSG 4.7UF 100V 5 P	4.7/100	4
CN02	4428595013	LW5267/LWB0640/2.5MM-13P	WAFER 13P	1
CN01	4428595005	LW5267/LWB0640/2.5MM-05P	WFAER 5P	1
CN00	4355923603	WAFER 7.62MM B 5	WFAER 3P	1
AN30	4355822423	CON ASS'Y 2P (BLACK)	CON ASSY	1
AN40	4355822323	CON ASSY 2P (RED)	CON ASSY	1
AN20	4355822519	CON ASSY 4P (450MM)	ASSY 4P	1
CN50 CN60 CN70-71	4428596604	LOCK WAFER LW-1143-04P	WAFER 4P	4
AN10	4355822600	CON ASSY 9P	CON ASSY 9P	1
L1401 L1501	2648099940	COIL INDUCTOR 1.2UH	1.2uH	2
D1412-1413 D1512-1513	2058100110	DIODE RL207 PYUNG CHANG	RL207	4
D101	2058100981	DIODE BRIDGE KBU402 PBU402	PBU402	1
D102-108 D114-119	2058100996	DIODE RECTIFIER LT1N4006(4007)	1N4006	13
D109-110 D1401-1411 D1501-1511	2058304100	DIODE IN4148M	1N4148	24
D111	2058503120	DIODE ZENER UZ-12BH(12.0,12.6)	12BH	1
D112	2058500970	DIODE ZENER UZ-36BM (1N5258B)	36BM	1
D113	2058502200	DIODE ZENER UZ-20BM(1N5250B)	20BM	1
C119-120	3409233071-T	CAP AF RSG 33UF 50V 6 P	33/50	2
C1401 C1501	3409547031-T	CAP AF 47UF 16V (MOSE)	47/16	2
U103	2118050410	IC TA7317P TOSHIBA	TA7317P	1
U101	2128610900	IC KA7815 COMMON	KA7815	1
U102	2128610800	IC MC7915 COMMON	MC7915	1
U104	2128611206	IC 7805 G.S	7805	1
R109 R114	3009103973	RES CF 10K 1/5W J N	10K	1
RY1401 RY1501	5528009992	RELAY HR-702NH DC24V(18V)	HR702 24V	2
R101-102 R108 R110 R1446-1447 R1546-1547	3009223973	RES CF 22K 1/5W J N	22K	8
R106	3009104973	RES CF 100K 1/5W J N	100K	1
R111-112	3009221973	RES CF 220 1/5W J N	220	2
R105 R103	3009682973	RES CF 6.8K 1/5W J N	6.8K	2
R1409 R1509	3009102973	RES CF 1K 1/5W J N	1K	2
R115 R1404 R1504	3009123973	RES CF 12K 1/5W J N	12K	3
R1402 R1410-1412 R1502 R1510-1512 R104	3009473973	RES CF 47K 1/5W J N	47K	9
R107	3009822973	RES CF 8.2K 1/5W J N	8.2K	1
R1403 R1407-1408 R1503 R1507-1508	3009561973	RES CF 560 1/5W J N	560	6
R1413 R1513	3009100973	RES CF 10 1/5W J N	10	2
R1415 R1414 R1505 R1515	3002220953	RES CF 22K 1/5W F N	22K 1%	4
R1419 R1519	3009471973	RES CF 470 1/5W J N	470	2
R1421 R1420 R1520-1521	3089100275	RES NFR 10 1/4W J R PHILKO	10 1/4W	4
R1425 R1424 R1524-1525	3089332275	RES NFR 3.3K 1/4W J R PHILKO	3.3K 1/4W	4
R1429-1431 R1422-1423 R1522-1523 R1428 R1528-1531	3089221275	RES NFR 220 1/4W J R PHILKO	220 1/4W	12
R1406 R1506	3009121973	RES CF 120 1/5W J N	120	2
R1514 R1405 R1418 R1518	3009182973	RES CF 1.8K 1/5W J N	1.8K	4
R1416-1417 R1516-1517	3089820275	RES NFR 82 1/4W J R PHILKO	82 1/4W	4
R1450 R1448 R1548 R1550 R113	3009333973	RES CF 33K 1/5W J N	33K	5
R1426-1427 R1526-1527 R1449 R1549	3009563973	RES CF 56K 1/5W J N	56K	6
R1434 R1440-1441 R1534-1535 R1540-1541 R1435	3079101275	RES ERD-2FCVG 101T 1/4W R	100 1/4W	8
R1438 R1538-1539 R1532-1533 R1432 R1439 R1433	3089479275	RES NFR 4.7 1/4W J R PHILKO	4.7 1/4W	8
R1401 R1501	3009271973	RES CF 270 1/5W J N	270	2
R1436-1437 R1442-1443 R1536-1537 R1542-1543	3049478783	RES CE 0.47 5W J T HAN NAE	0.47/5W	8
R1444 R1544	3039479572-F	RES MO 4.7 2W J N	4.7 2W	2
R1445 R1545	3059100772	RES CE 10 5W JN	10 5W	2
P1401 P1501	2438007994	POSISTOR PTFLO4BE471Q2N34B0	BE471TS	2
P1402 P1502	2438007993	POSISTOR PTFM04BE222Q2N34B0	BE222TS	2
Q101-103 Q105 Q1404 Q1408 Q1504 A1508	2008606108-T	KTC3200-BL-AT	KTC 3200BL	8
Q104 Q106 Q1407 Q1410 Q1507 Q1510	2028407990	KTC4370A-Y-U	KTC 4370	6
Q1414 Q1412 Q1514 Q1532	2028427998	TR 2SC 3856 W/ACC	2SC3856	4
Q1506 Q1406	2008405999	TR NPN 2SC4001 NEC	2SC4001	2
Q1401-1403 Q1409 Q1501-1503 Q1509	2008206104-T	KTA1268-BL-AT	2SA970	8
Q1405 Q1505	2008005999	TR PNP 2SA 1546 NEC	2SA1546	2

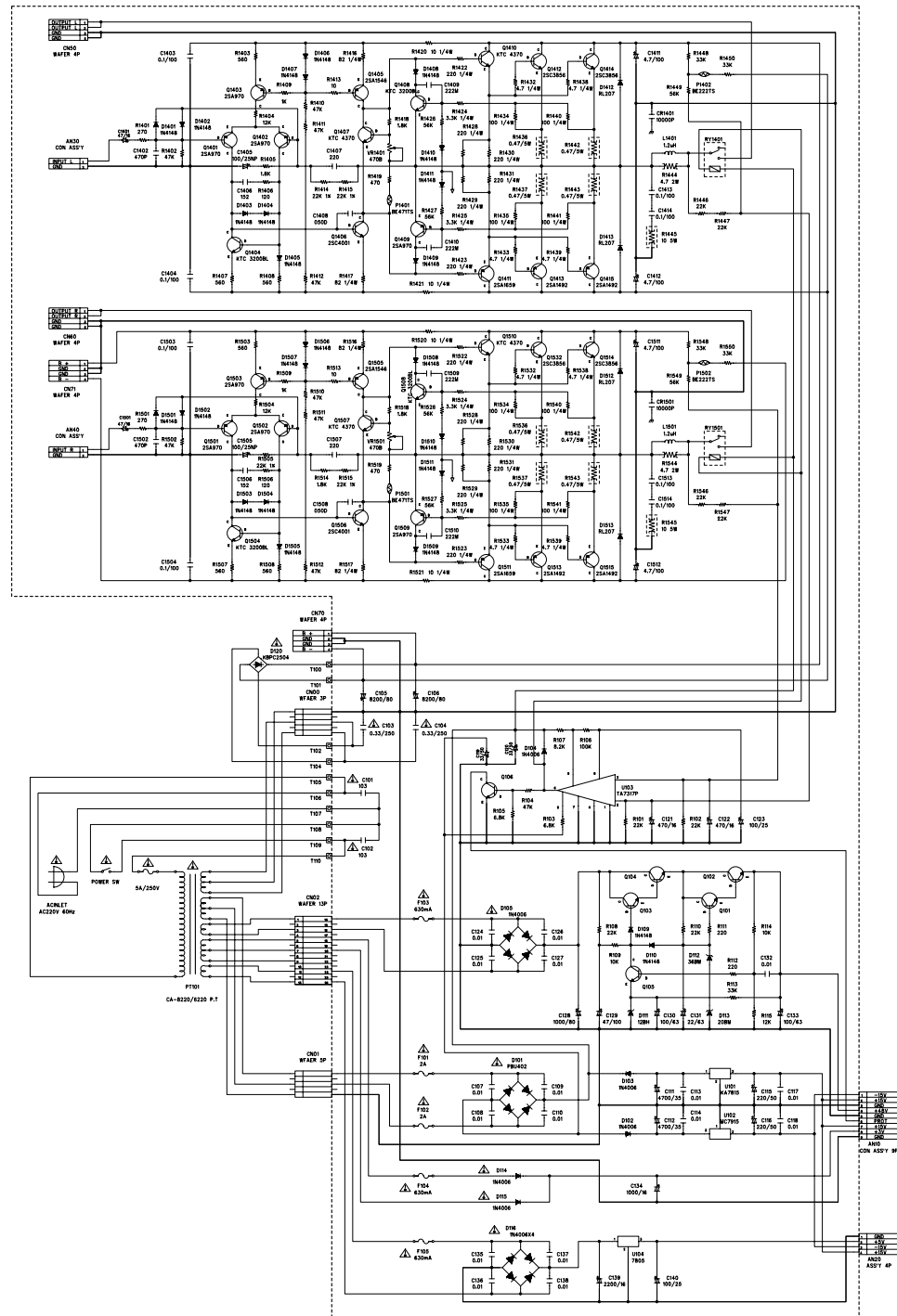
Q1413 Q1415 Q1513 Q1515	2028117994	TR PNP 2SA 1492 W/ACC	2SA1492	4
Q1411 Q1511	2028107984	KTA1659A-Y-U	2SA1659	2
VR1401 VR1501	3248347110	RES SEMI RH0614C100471	470B	2

JACK B'D (4003494300)

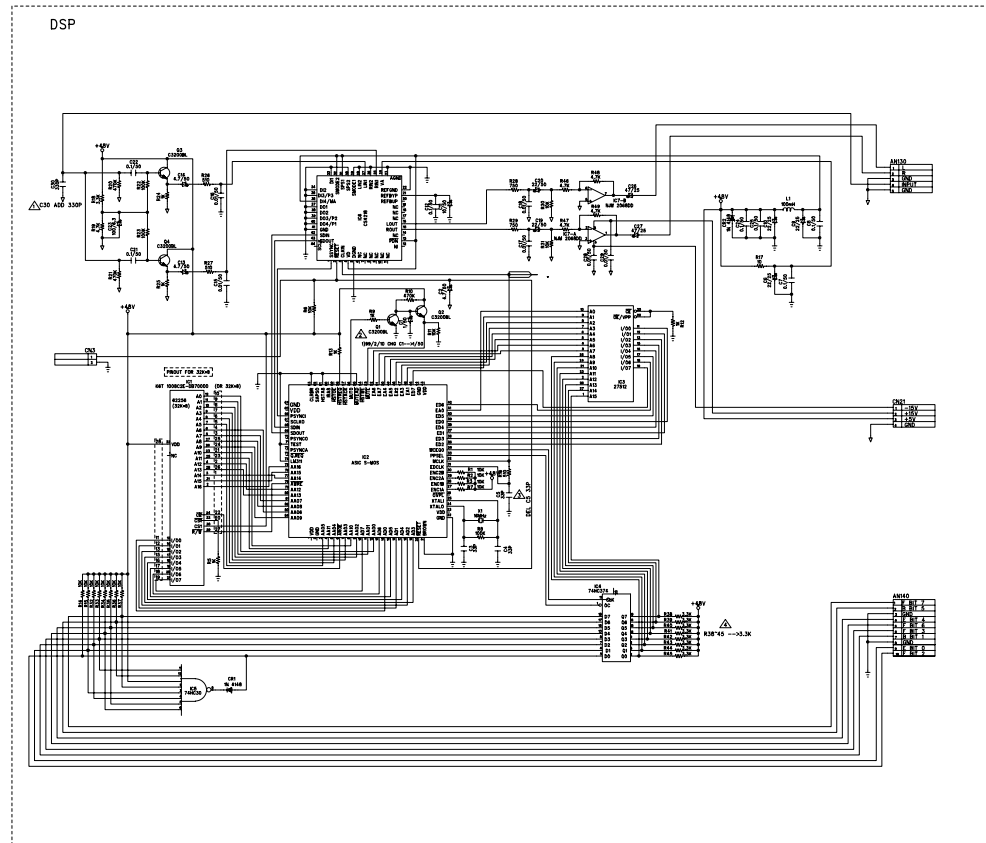
JK401 JK501	4438192310	PHONE JACK 4P MOLD	PHONE JACK 4P MOLD	2
CN41 CN61	4428591902	WAFER LOCK LA-LPHAUB03-02P	CON WAFER LA 2P	2

ASS'Y

CON ASSY	4355823417	CON ASSY 4P WHITE	CON ASSY 4P WHITE	1
CON ASSY	4355823514	CON ASSY 4P (RED)	CON ASSY 4P (RED)	1
CON ASSY	4355821701	CON MASS 12P	CON MASS 12P	1
CON ASSY	4355821709	CON MASS 12P	CON MASS 12P	1
CON ASSY	4355821600	CON MASS 12P*4	CON MASS 12P*4	1
CON ASSY	4355822700	CON MASS 14P (CA-6220)	CON MASS 14P (CA-6220)	1
CON ASSY (for CA-8220)	4355822800	CON MASS 14P CA-8220	CON MASS 14P CA-8220	1
PT	2828072110	POWER TRANS CA-8220/6220 230V		1
AC CORD	4308994110	AC CORD ASSY		1
	4308994910	AC CORD (EUROPE 3 CORES)	B ,R	1
	4308991210	AC CORD EL-210/ENDCUT(UK)	C	1
	4308996110	AC CORD 250T ASSY (UL/CSA)	E	1
	4308999710	CORD AC DOME 3 CORES		1
	4308994920	AC CORD ASSY 250T	B ,R	1
	4308992410	AC CORD ASSY EUROPE (BSI)	C	1
	4308999910	CORD AC UL 3CORES	E	1
AC CORD (for CA-8220)	4308994110	AC CORD ASSY		1
	4308994910	AC CORD (EUROPE 3 CORES)	B ,R	1
	4308991210	AC CORD EL-210/ENDCUT(UK)	C	1
	4308994020	AC CORD ASSY (SAA)	D	1
	4308996110	AC CORD 250T ASSY (UL/CSA)	E	1
	4308997810	CORD AC(SEMKO 3CORD)	F	1
	4308990610	AC CORD ASSY JIS (CMX-2464)	J	1
	4308999710	CORD AC DOME 3 CORES		1
	4308994920	AC CORD ASSY 250T	B ,R	1
	4308992410	AC CORD ASSY EUROPE (BSI)	C	1
	4308999210	AC UP502+OCSA0.75MM2X3C200MM	D	1
	4308999910	CORD AC UL 3CORES	E	1
	4308997820	AC CORD ASSY SACHER	F	1
	4308990710	AC POWER CORD (END CUT) JIS	J	1
SW POWER	4625996610	SW POWER (C1550AT)		1
	4625996611	SW POWER(C1350AT) ARCOLECTRIC	B ,C ,E ,R	1
SW POWER (for CA-8220)	4625996610	SW POWER (C1550AT)		1
	4625996611	SW POWER(C1350AT) ARCOLECTRIC	B ,C ,D ,E ,F ,J ,R	1
FUSE	5508212739	FUSE#217F 20MM 2A/250V UCSKJ		2
	5508412729	FUSE#218T 20MM 2A/250V UCSKJ	B ,C ,R	2
FUSE (for CA-8220)	5508212739	FUSE#217F 20MM 2A/250V UCSKJ		2
	5508412729	FUSE#218T 20MM 2A/250V UCSKJ	B ,C ,F ,R	2



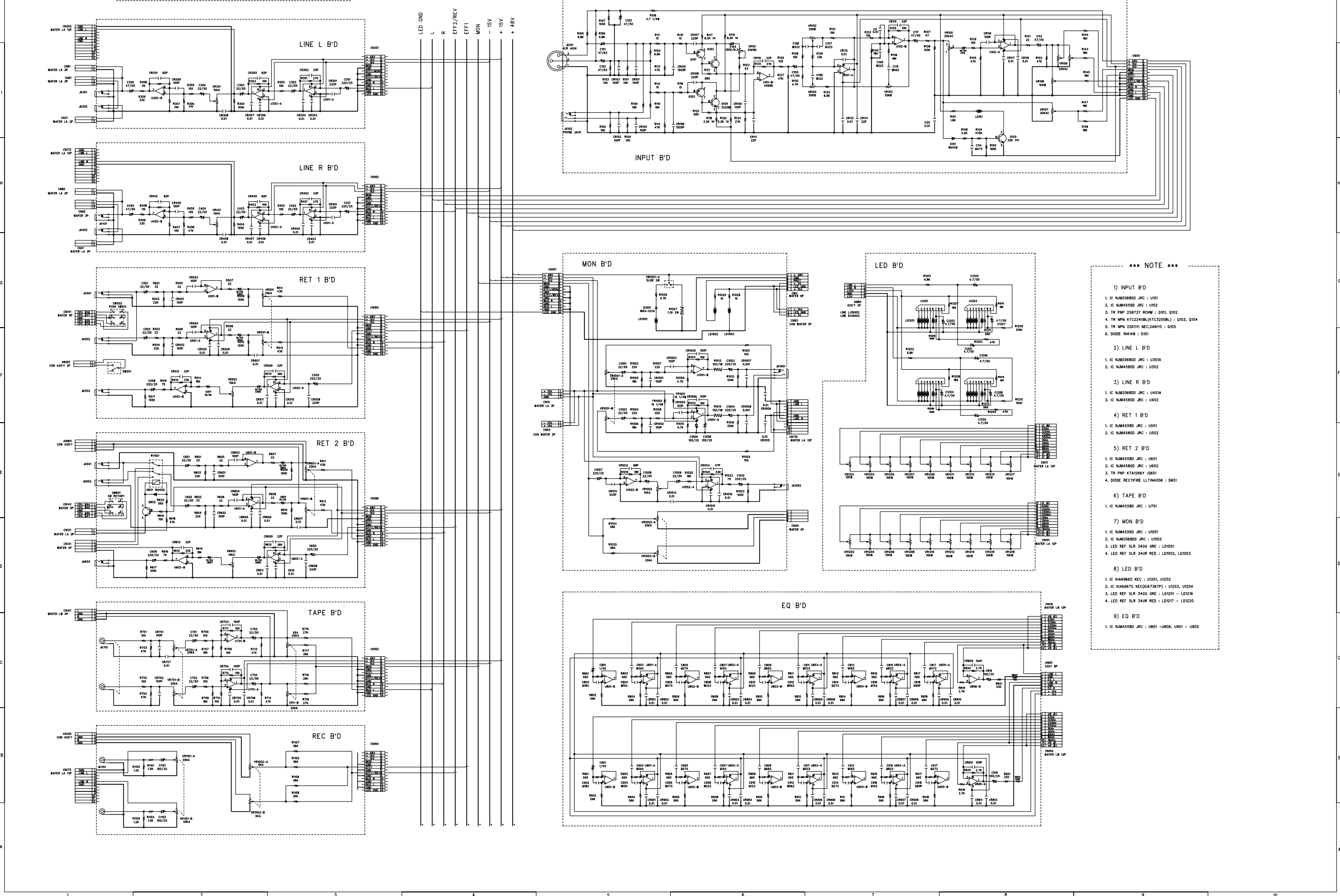
CA-8220/8220 SCHEMATIC DIAGRAM(PART AMP, POWER,DSP)



***** NOTE *****

- | | | |
|---|--|---|
| <p>1) PART OF POWER</p> <ol style="list-style-type: none"> 1. IC KA7815 : U101 2. IC KA7815 : U102 3. IC KA7805 : U104 4. IC TA7377P : U103 5. TR NPN KTC2408L : D101,D103 6. TR NPN 2SC2282A(KTC4370A) : D102,D104,D105,D106 7. DIODE BRIDGE KBM402(PB402) : D101 8. DIODE LT14006 : D102,D103,D104-D107,D113-D119 9. DIODE 1N4148 : D108,D109 10. DIODE ZENER 120M : D110 11. DIODE ZENER 200M : D112 12. DIODE ZENER 360M : D111 | <p>2) PART OF AMP</p> <ol style="list-style-type: none"> 1. TR PNP 2SA970A : Q1401-Q1403,Q1408,Q1501-Q1503,Q1509 2. TR NPN KTC2408L(KTC2208L) : Q1404,Q1408,Q1504,Q1508 3. TR PNP 2SA1546 NEC : Q1405,Q1505 4. IC TA7377P : U103 5. TR NPN 2SA1536A(PA1829A) : Q1411,Q1511 6. TR NPN 2SC2282A(KTC4370A) : Q1407,Q1410,Q1507,Q1510 7. TR PNP 2SA1482 : Q1413,Q1415,Q1513,Q1515 8. TR NPN 2SC3856 : Q1412,Q1414,Q1512,Q1514 9. DIODE PS2010 : D1412,D1413,D1512,D1513 10. DIODE 1N4148 : D1403-D1411,D1503-D1511 11. DIODE ZENER 200M : D112 12. DIODE ZENER 360M : D111 | <p>3)PART OF DSP</p> <ol style="list-style-type: none"> 1. IC NJM 4558D JRC : U1301,U1311,U1312 2. IC TL32008 T.J : U1304 3. IC P320A258 T.J : U1305 4. IC MB8C4256 D-RAM L.G : U1306,U1307 5. IC 74HC04 G.S : U1309 6. IC 74HC74 G.S : U1308 7. IC TM657002 T.J(QSP) : U1310 8. IC PD78014CN-073 NEC(CPU) : U1311 9. IC PC8379 NEC : U1312 10. TR NPN KTC3389Y : Q1301 11. DIODE 1N4148 : D1301,D1302,D1303 |
|---|--|---|

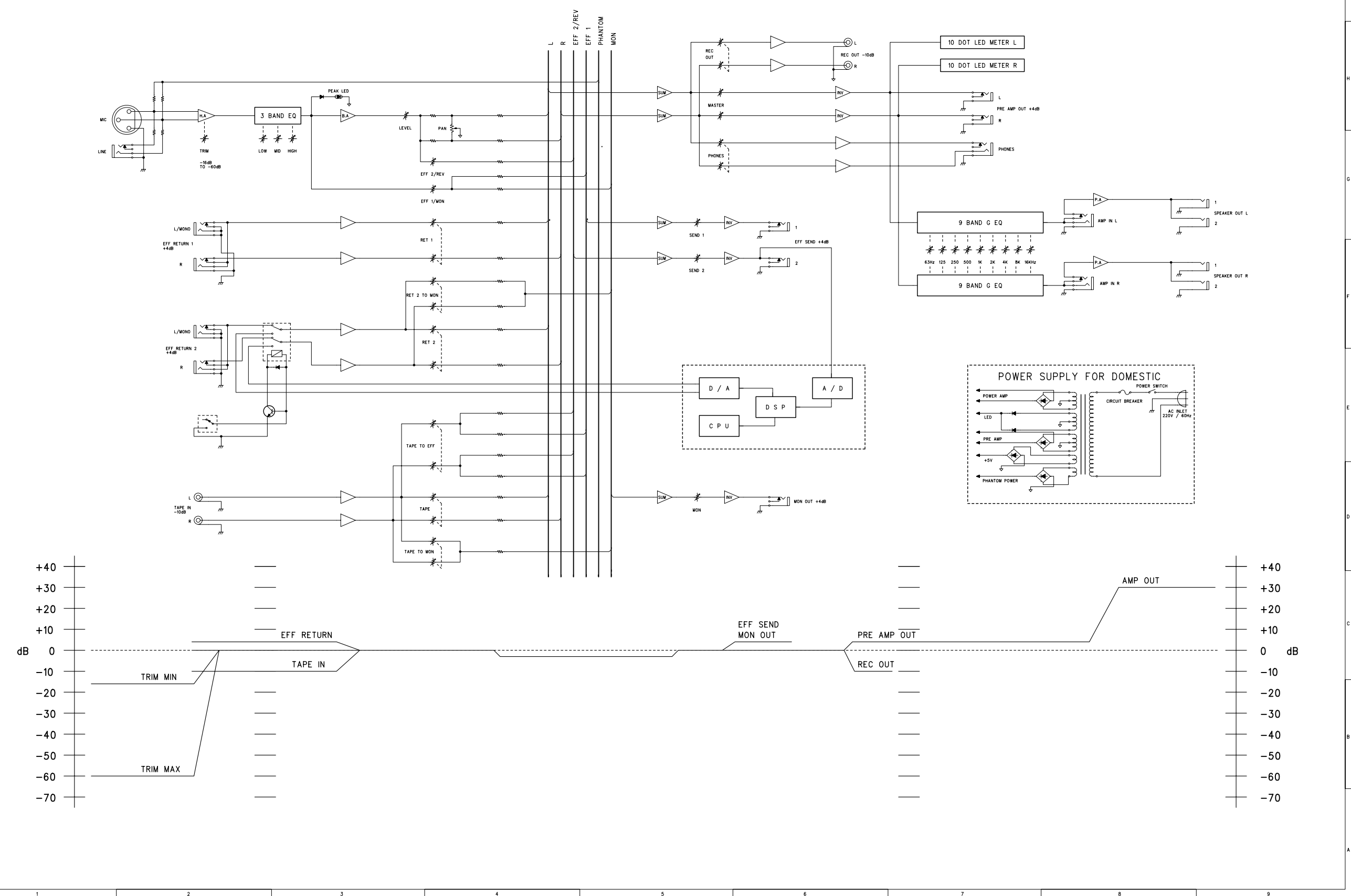
CA-6220/8220 SCHEMATIC DIAGRAM



- *** NOTE ***
- 1) INPUT B'D
 - 1. IC N.M.4068D JRC : U101
 - 2. IC N.M.4580D JRC : U102
 - 3. TR PNP 258737 ROM : Q101, Q102
 - 4. TR NPN 472248B (KT3008B) : Q103, Q104
 - 5. TR NPN 258711 (MC33870) : Q105
 - 6. DIODE IN4148 : D101
 - 2) LINE L B'D
 - 1. IC N.M.4068D JRC : U301A
 - 2. IC N.M.4580D JRC : U302
 - 3) LINE R B'D
 - 1. IC N.M.4068D JRC : U401A
 - 2. IC N.M.4580D JRC : U402
 - 4) RET 1 B'D
 - 1. IC N.M.4580D JRC : U501
 - 2. IC N.M.4580D JRC : U502
 - 5) RET 2 B'D
 - 1. IC N.M.4580D JRC : U601
 - 2. IC N.M.4580D JRC : U602
 - 3. TR PNP KT4246Y : Q601
 - 4. DIODE RECTIFRE LLT1N4006 : D601
 - 6) TAPE B'D
 - 1. IC N.M.4580D JRC : U701
 - 7) MON B'D
 - 1. IC N.M.4580D JRC : U1001
 - 2. IC N.M.4068D JRC : U1002
 - 3. LED REF SLR 3460 GRE : LD1001
 - 4. LED REF SLR 3448 RED : LD1002, LD1003
 - 8) LED B'D
 - 1. IC KIA4862 REC : U201, U202
 - 2. IC KIA4867S REC (N7367P) : U203, U204
 - 3. LED REF SLR 3460 GRE : LD1201 - LD1206
 - 4. LED REF SLR 3448 RED : LD1207 - LD1220
 - 9) EQ B'D
 - 1. IC N.M.4580D JRC : U801 - U806, U901 - U905

COMPANY		APPLICANT		REVISED NUMBER AND DATE		DRAWN		CHECKED		APPROVED		NOTE		SHEET NO.		SCHEMATIC DIAGRAM	
TYPE CODE		INTER.M		1. 14		2. 17		3. 18		4. 19		5. 20		6. 21		MODEL : CA - 8220/6220	
APPROVED DATE		96. 6. 14		6. 9.		7. 9.		8. 9.		9. 9.		10. 9.		11. 9.			

CA - 8220/6220 BLOCK/LEVEL DIAGRAM



COMPANY		INTER.M	APPLICANT	REVISED NUMBER AND DATE			5	DRAWN	CHECKED	APPROVED	NOTE	SHEET NO.		SCHEMATIC DIAGRAM	
TYPE CODE		96.	8.	14	1.	4.	2.	3.	4.	5.	6.	7.	MODEL :		CA-8220/6220
APPROVED DATE		96.	8.	14	1.	4.	2.	3.	4.	5.	6.	7.			

CA-8220/6220 WIRE DIAGRAM

