



REFERENCE STANDARD 1 AND 1-B

SPECIFICATIONS

- Drivers: For each channel: Six 8-inch polypropylene woofers, servo network controlled. Seven EMIM midrange drivers in dipole array. Four EMIT tweeters, one facing rearward, in dipole array
- Frequency Response: 25 to 32,000 Hz ± 2 dB
Suggested for use with amplifiers of: Bass module, 150 watts per channel min.; midrange/treble module, 75 watts per channel min. Must be bi-amped
- Crossover Frequencies: 140Hz, 700 Hz, 3,000 Hz, and 8,000 Hz
- Nominal Impedance: 4 ohms
- Finish: Hand rubbed oiled oak veneers and solids
- Dimensions: Bass column: 60 inches x 12 wide x 12 deep; Midrange/Tweeter modules: 60 inches x 24 wide x 12 deep
- Shipping Weight: 400 lbs per system

PRODUCTION HISTORY:

- Introduced in:
- Discontinued in:
- Original Retail Price:

Physical Specifications:

COSMETIC PARTS:

Grille WFR	.025...1299B
Grille Mid/Twt Lt/Rt	.025...1922
Foot, Metal Adj.	.846...2290
Logo Large Rect.	.716...1966

CROSSOVER PARTS:

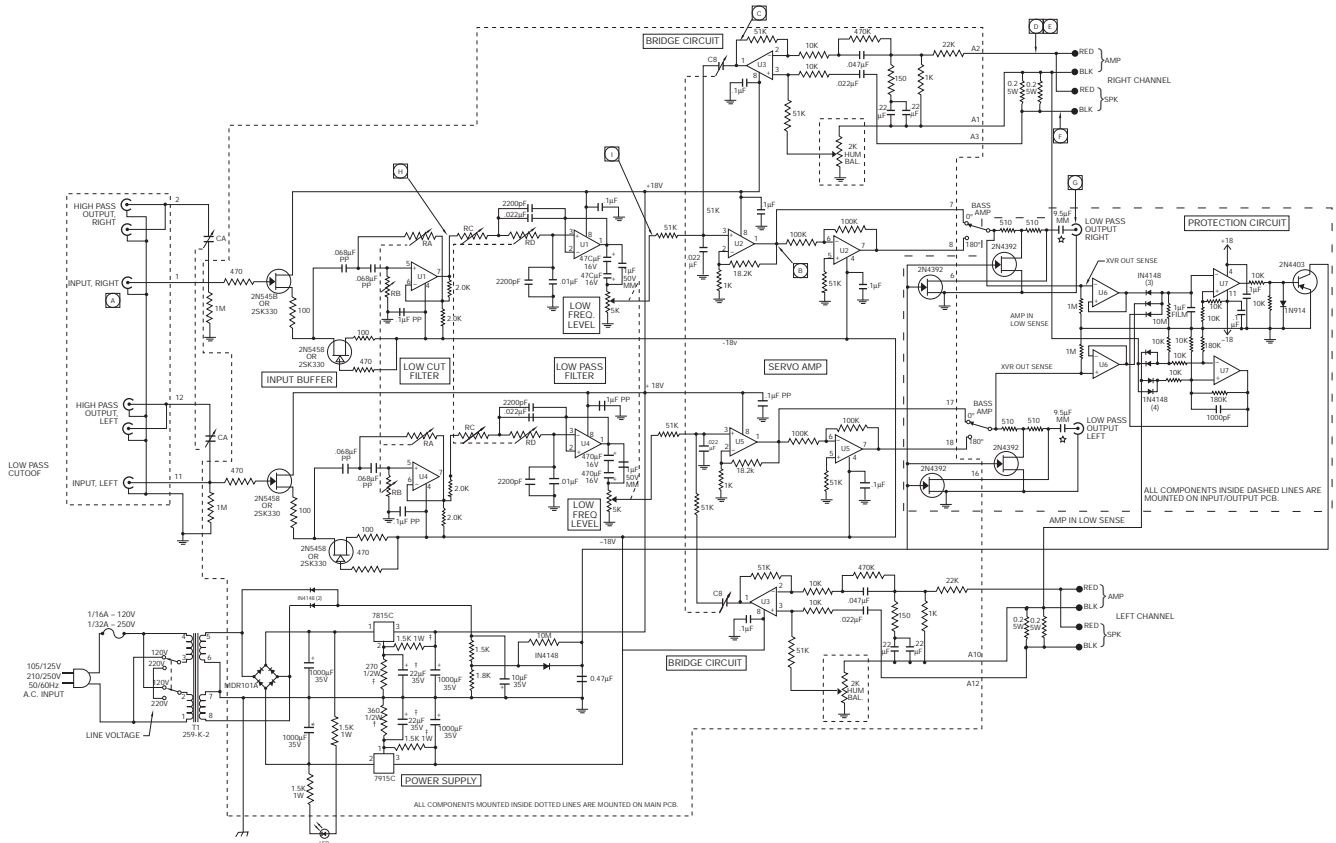
Fuse 1.25A AGC	.870...0010
Fuse 2.5A AGC	.870...0024
Fuse Holder	.550...0062
Pot 5 ohm 15W	.145...0110
Passive Crossover Assy	NLA
Active Crossover Unit	NLA

DRIVERS

Mid EMIM Rev. B/C	.902...0012B
EMIT Twt 1/4 LS Top	.902...5002
8" WFR Poly Clear	.902...5009
EMIT Sq/Blk (T,B,R)	.902...5086
EMIT Diaph. 1/2 LS	.751...3733
EMIM Diap Assy	.751...3806
EMIT Diaph 1/4 LS	.751...2894

REFERENCE STANDARD 1 AND 1-B

TECHNICAL SPECIFICATIONS

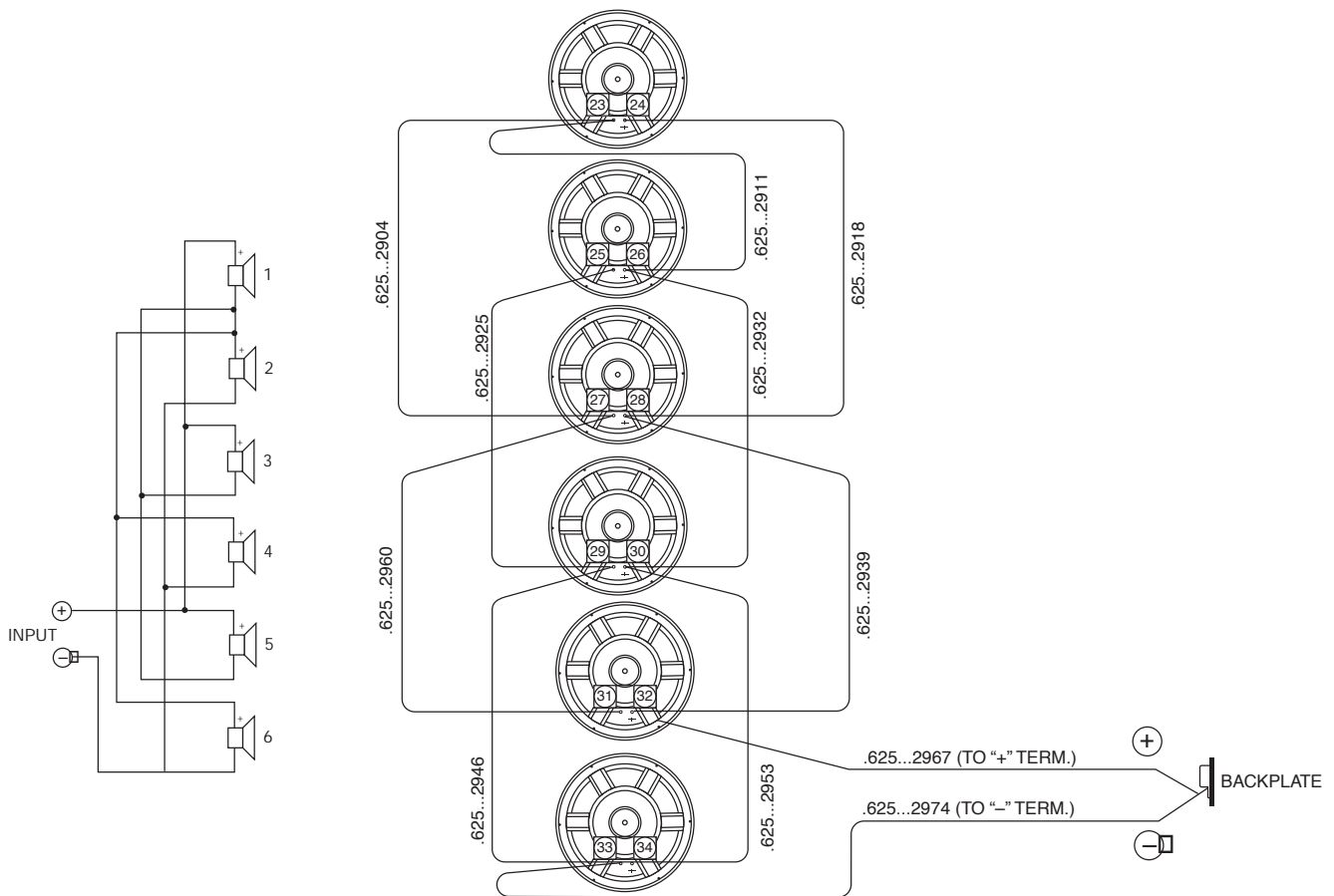


REFERENCE STANDARD 1 AND 1-B

REFERENCE STANDARD 1 AND 1-B

TECHNICAL SPECIFICATIONS

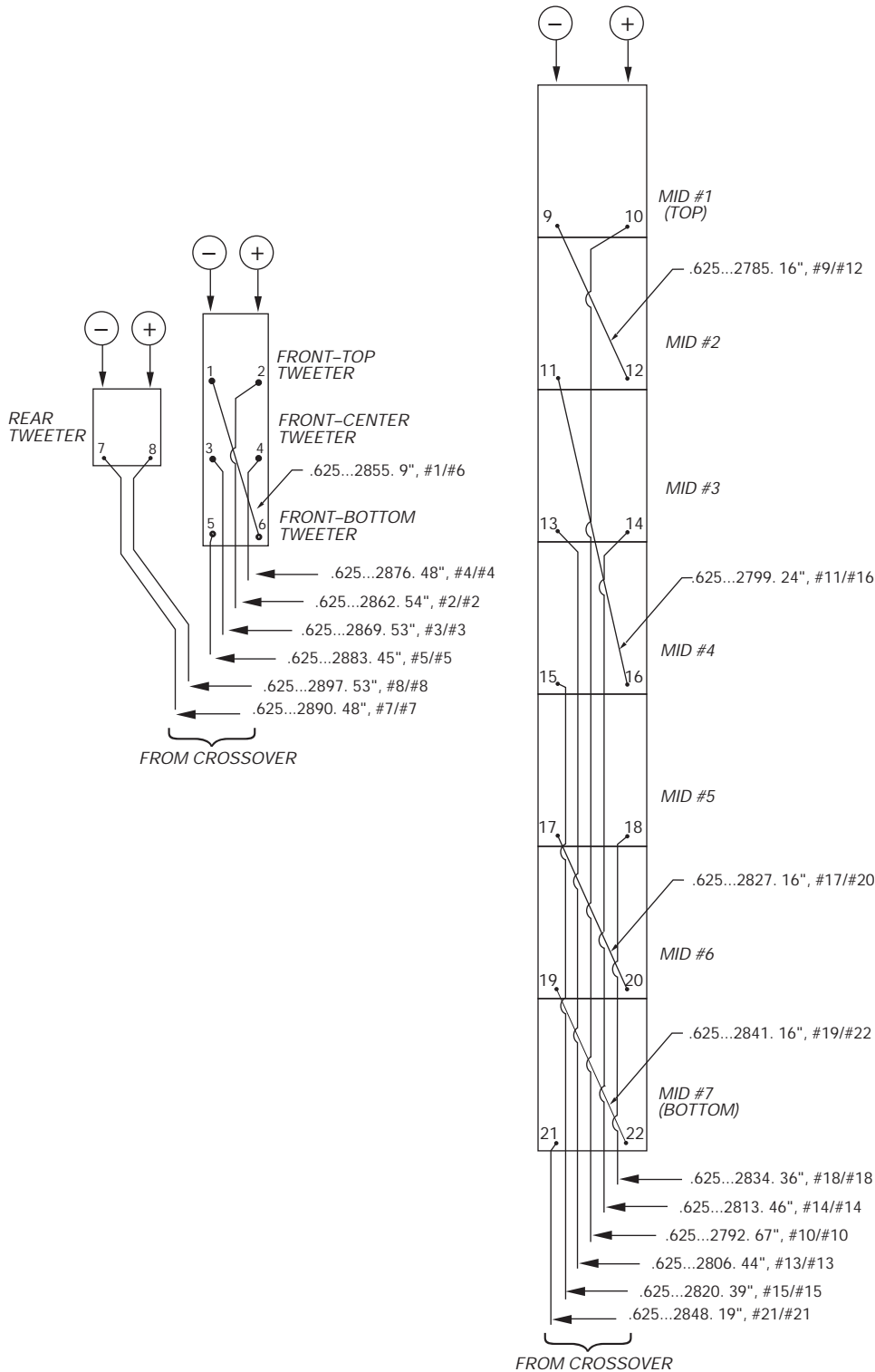
WOOFERS REAR VIEW



REFERENCE STANDARD 1 AND 1-B

REFERENCE STANDARD 1 AND 1-B

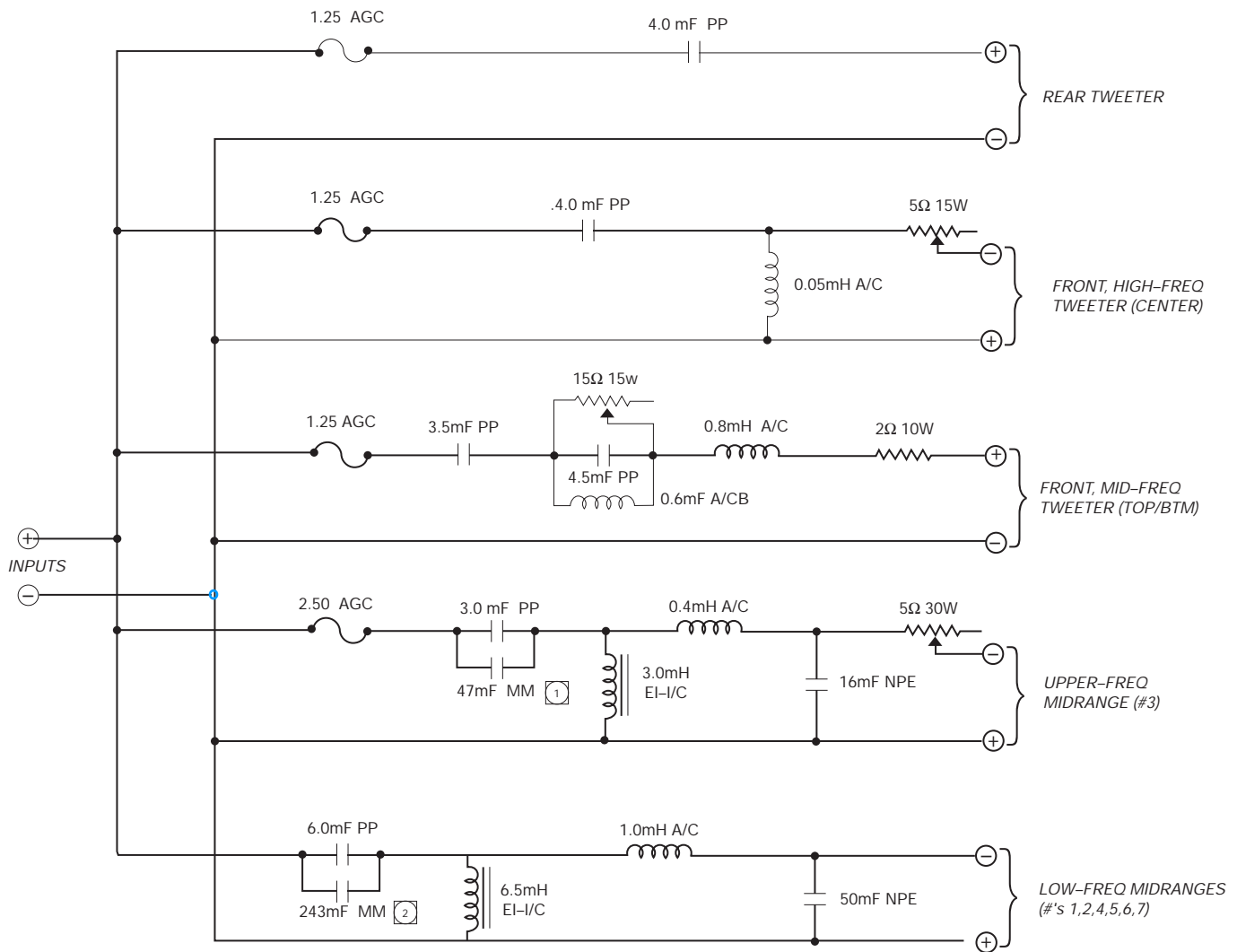
TECHNICAL SPECIFICATIONS



REFERENCE STANDARD 1 AND 1-B

REFERENCE STANDARD 1 AND 1-B

SPECIFICATIONS



REFERENCE STANDARD 1 AND 1-B