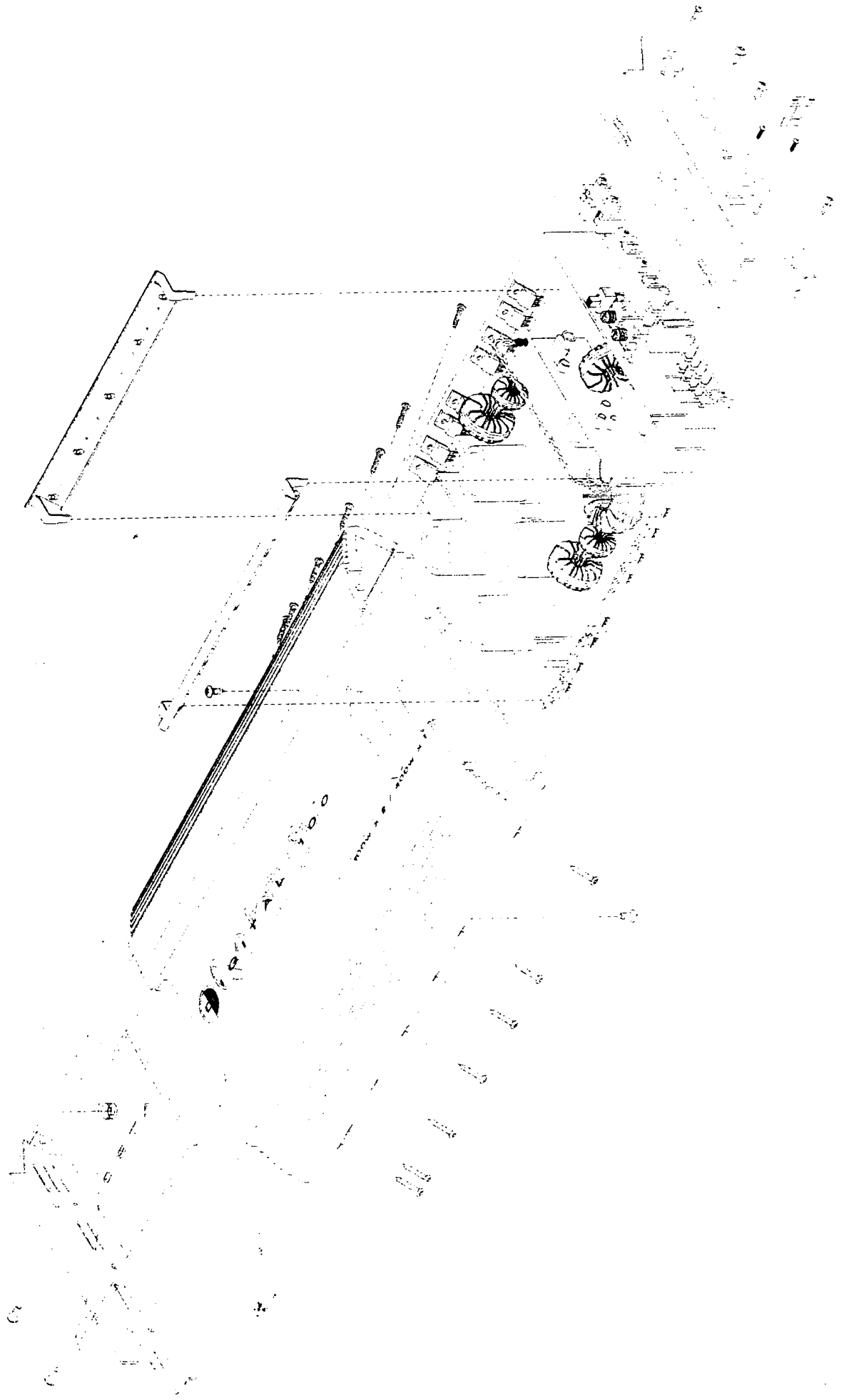
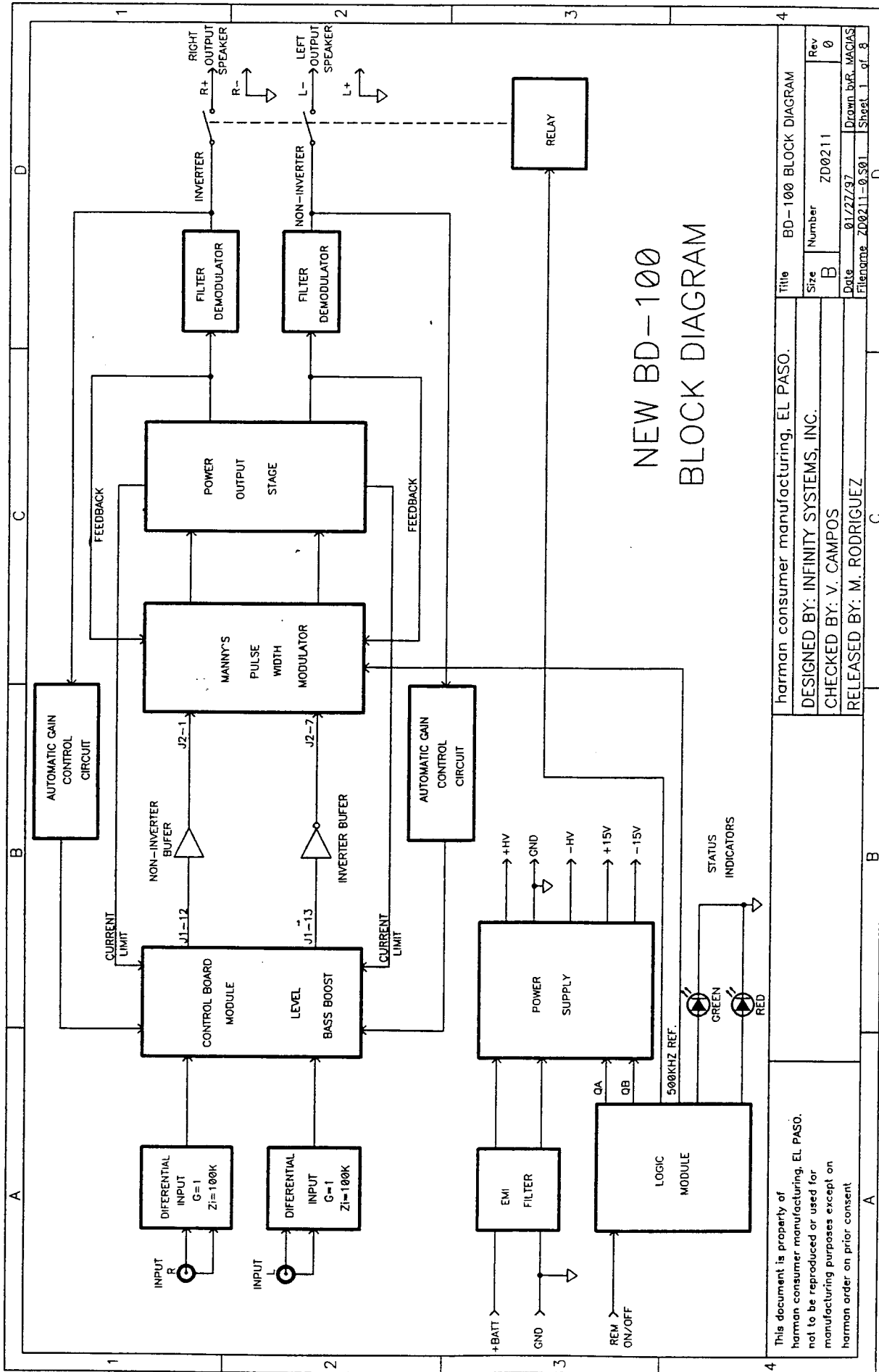


# **BD100**

## **SCHEMATICS**

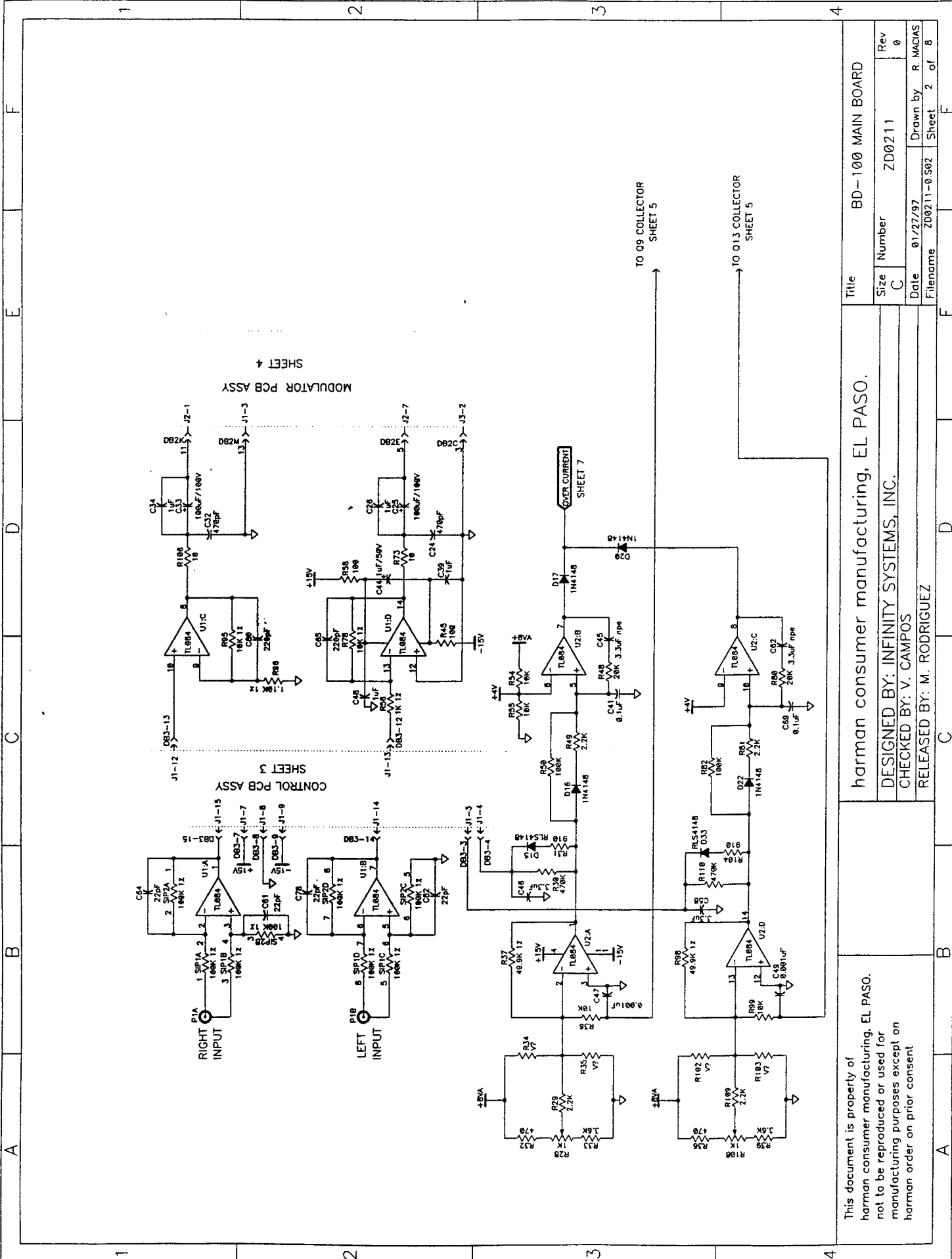
BD 100





# NEW BD-100 BLOCK DIAGRAM

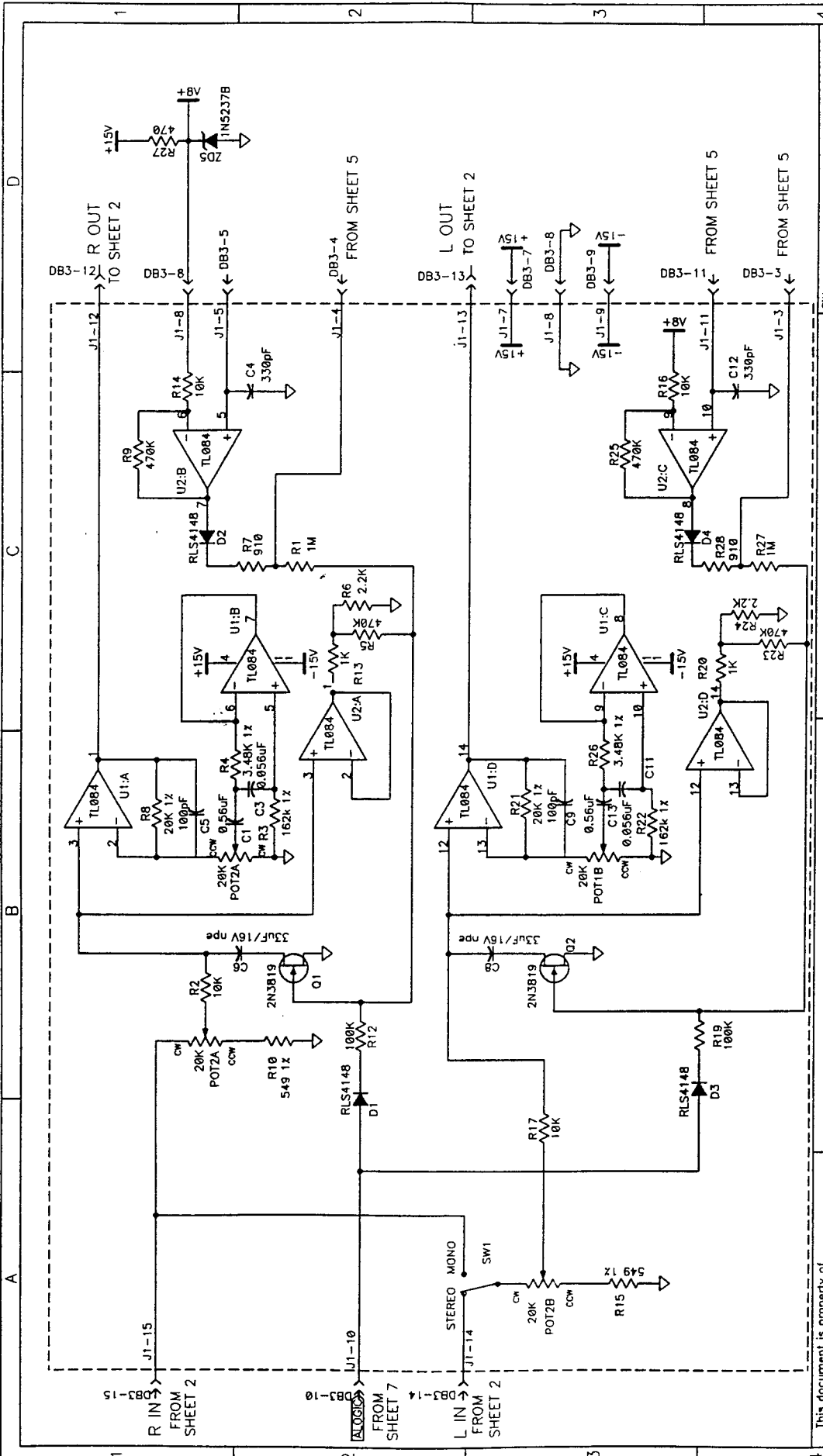
harman consumer manufacturing, EL PASO.		Title		BD-100 BLOCK DIAGRAM	
DESIGNED BY: INFINITY SYSTEMS, INC.		Size		B	
CHECKED BY: V. CAMPOS		Number		ZD0211	
RELEASED BY: M. RODRIGUEZ		Date		01/27/97	
harman consumer manufacturing, EL PASO.		Rev		0	
not to be reproduced or used for manufacturing purposes except on harman order on prior consent		Drawn by		M.R. MACIAS	
harman consumer manufacturing, EL PASO.		File name		ZD0211-0.S01	
harman consumer manufacturing, EL PASO.		Sheet		1 of 8	



Title		BD-100 MAIN BOARD	
Size	Number	Rev	0
C	ZD0211	0	
Date	01/27/97	Drawn by	R. MACIAS
Filename	ZD0211-0.S02	Sheet	2 of 8

This document is property of  
 harman consumer manufacturing, EL PASO.  
 not to be reproduced or used for  
 manufacturing purposes except on  
 harman order on prior consent

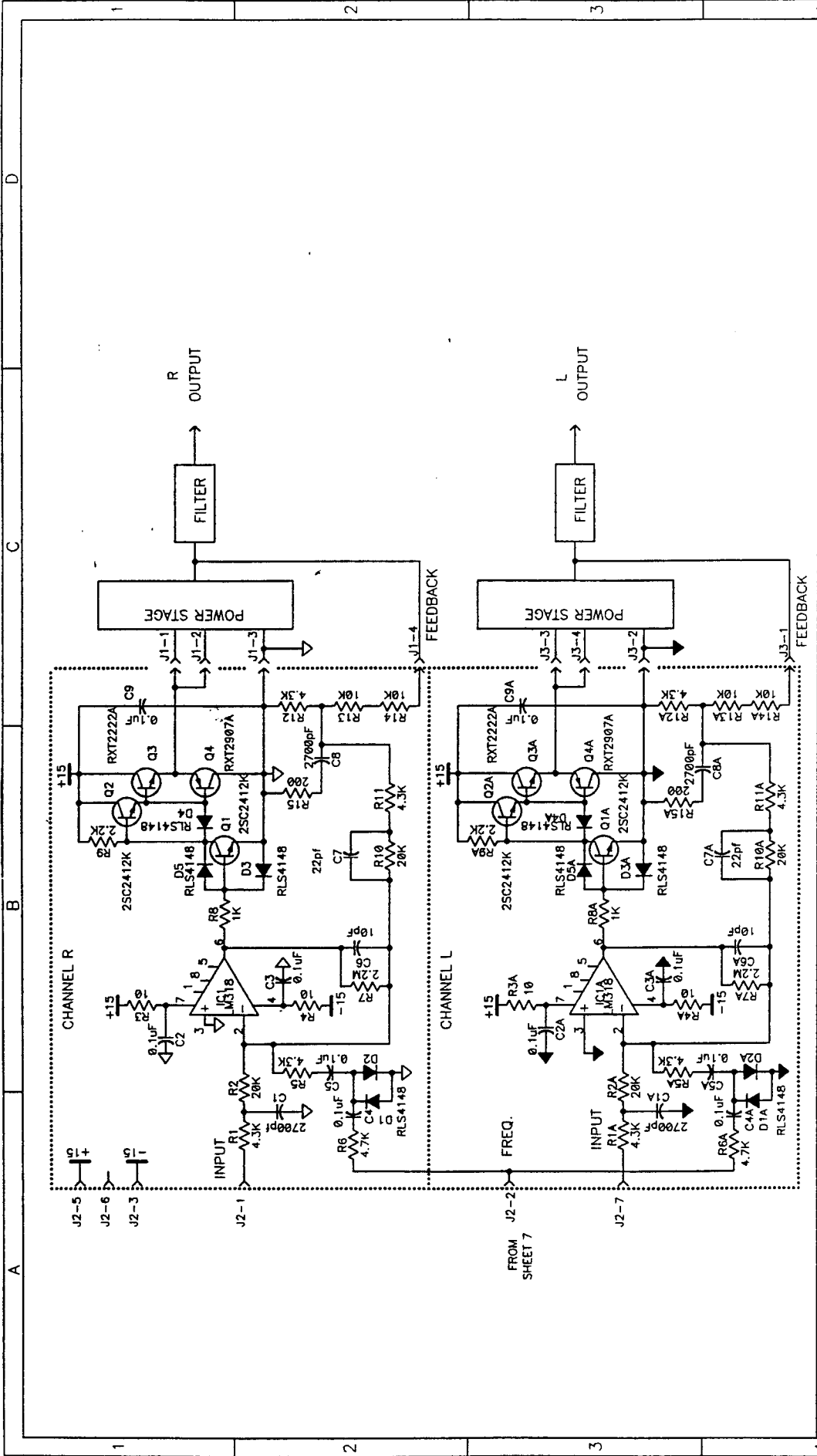
harman consumer manufacturing, EL PASO.  
 DESIGNED BY: INFINITY SYSTEMS, INC.  
 CHECKED BY: V. CAMPOS  
 RELEASED BY: M. RODRIGUEZ



This document is property of  
 harman consumer manufacturing, EL PASO.  
 not to be reproduced or used for  
 manufacturing purposes except on  
 harman order on prior consent

harman consumer manufacturing, EL PASO.  
 DESIGNED BY: INFINITY SYSTEMS, INC.  
 CHECKED BY: V. CAMPOS  
 RELEASED BY: M. RODRIGUEZ

Title: BD-100 CONTROL PCB ASSY  
 Size: B  
 Number: ZD0211  
 Rev: 0  
 Date: 01/27/97  
 Drawn by: R. MACIAS  
 Sheet: 3 of 8  
 Filename: ZD0211-01503



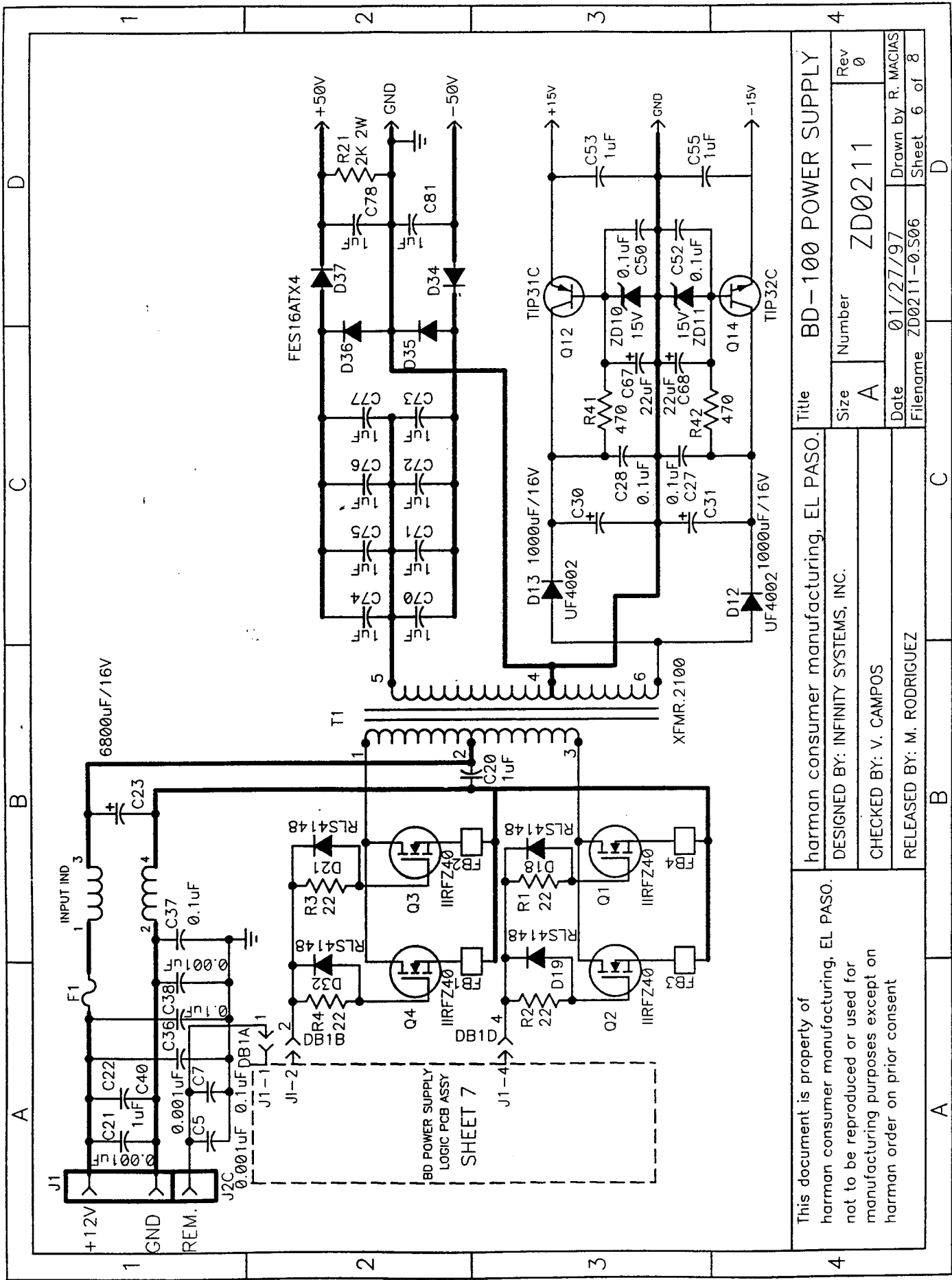
harman consumer manufacturing ELP

DESIGNED BY: M. RODRIGUEZ  
 CHECKED BY: V. C. FLORES  
 RELEASED BY: M. RODRIGUEZ

Title MANNY'S RODRIGUEZ MODULATOR  
 Size B  
 Number ZD0211  
 Rev 0  
 Date 01/27/97  
 Drawn by R. MACIAS  
 Filename ZD0211-0.S04 Sheet 4 of 8

this document is property of  
 harman consumer manufacturing, ELP.  
 not to be reproduced or used for  
 manufacturing purposes except on  
 harman order on prior consent





This document is property of harman consumer manufacturing, EL PASO. not to be reproduced or used for manufacturing purposes except on harman order on prior consent		harman consumer manufacturing, EL PASO.		Title		BD-100 POWER SUPPLY	
		DESIGNED BY: INFINITY SYSTEMS, INC.		Size		A	
		CHECKED BY: V. CAMPOS		Number		ZD0211	
		RELEASED BY: M. RODRIGUEZ		Date		01/27/97	
				Filename		ZD0211-0.S06	
				Drawn by		R. MACIAS	
				Sheet		6 of 8	



