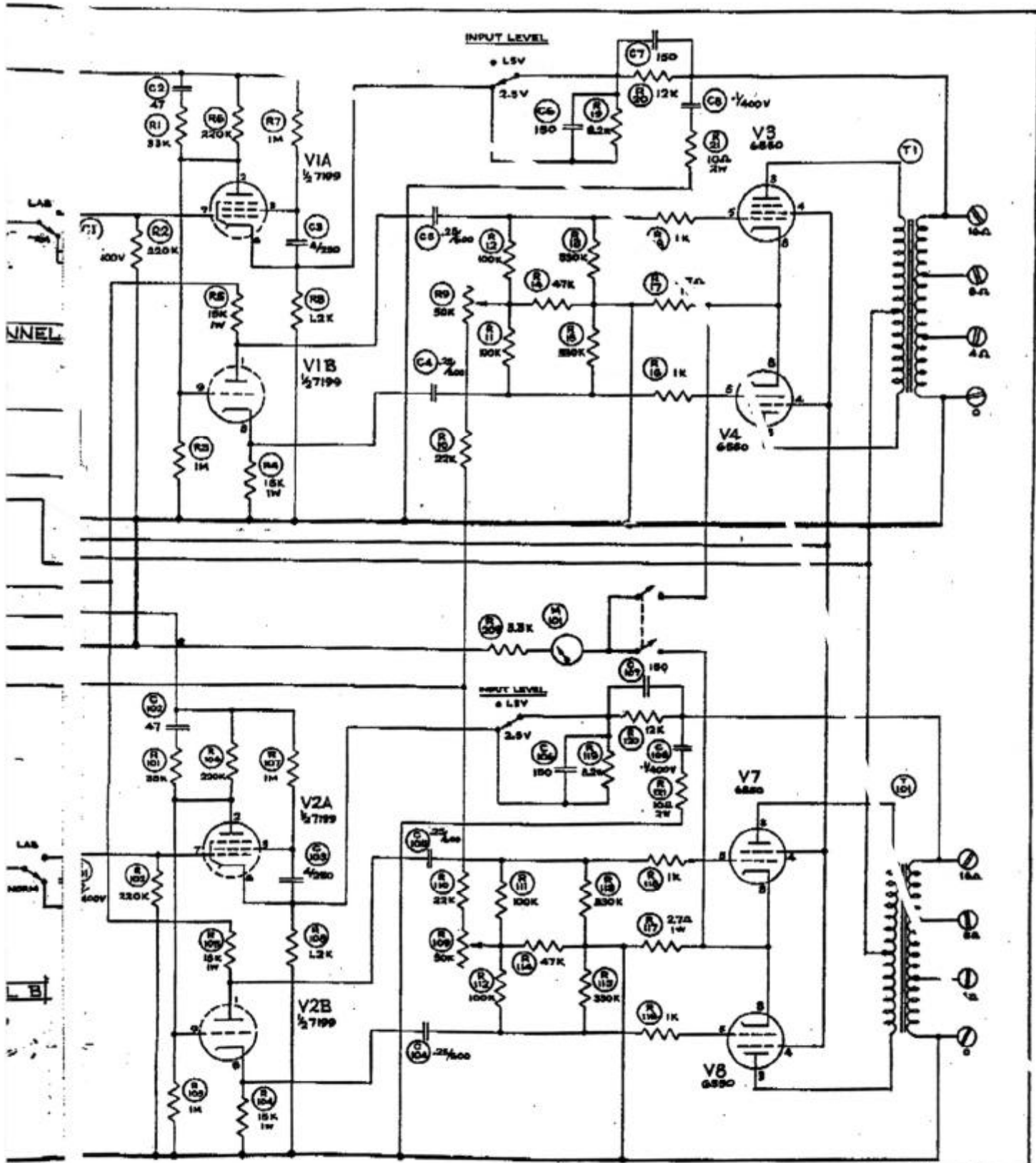


① ALL VOLTAGES MEASURED \pm 0.1%
 ② NO SIGNAL INPUT ϕ 117 VOLT LINE



TYPE LK-150 DUAL CHANNEL LABORATORY AMPLIFIER KIT

REV.	1	7/25/51
LK-150 CIRCUIT DIAGRAM		
H. H. SCOTT, INC.		
BAYBRIDGE, N.J., U.S.A.		
DR. H.C. D.R.	ENG. H.A.	
DR. T.C. D.R.	PROD.	
DWG. NO. D-LK-150-C1-0		