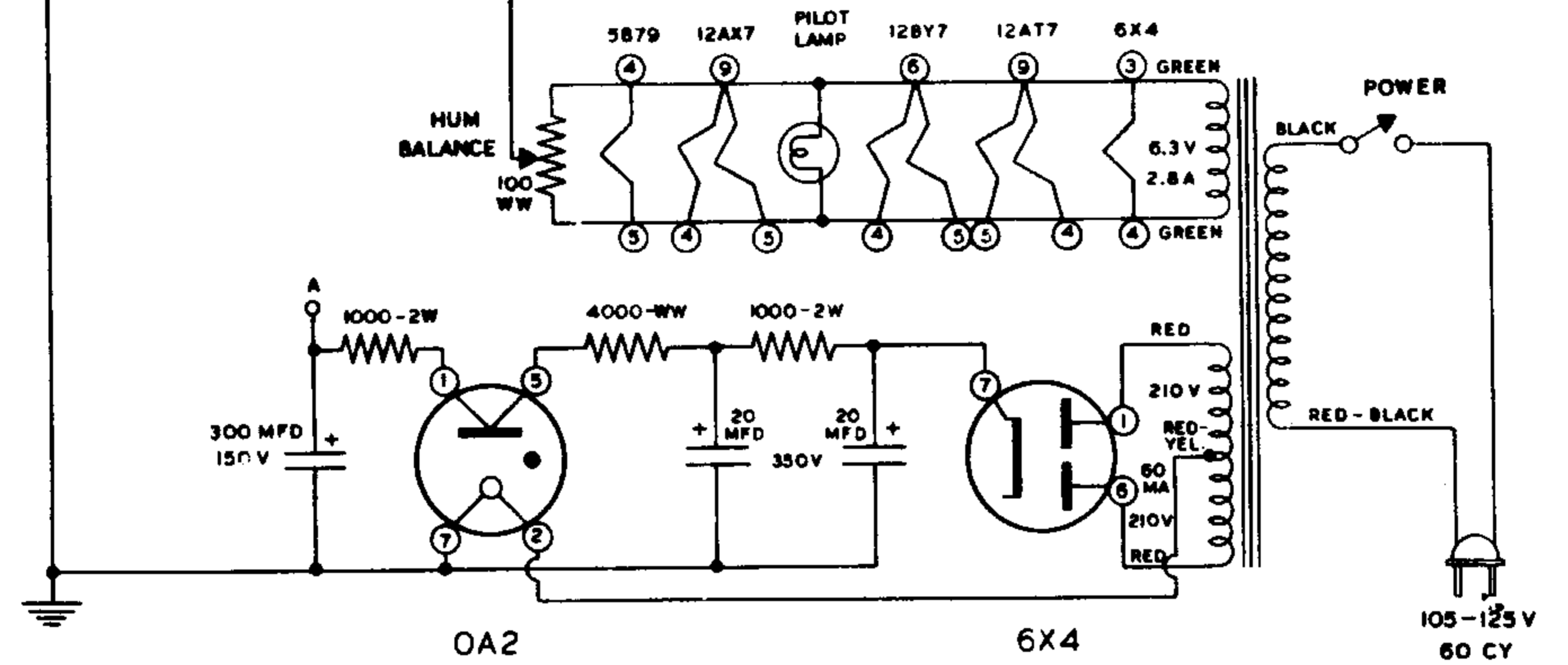


ALL SWITCHES SHOWN IN COUNTER CLOCKWISE POSITION
 FRACTIONAL CAPACITIES ARE IN MFD.
 OTHER CAPACITIES ARE IN MMF, UNLESS NOTED
 K=1000
 MEG.=1000,000
 WW=WIREWOUND

HEATHKIT HARMONIC DISTORTION METER MODEL HD-1



Heathkit HARMONIC DISTORTION METER

THE HEATH COMPANY

BENTON HARBOR, MICH.



POWER



FREQUENCY

MODEL NO. 1



LEVEL



SIGNALITY



FLANG



BALANCE



RANGE



INPUT



OUTPUT