

**SCHEMATIC OF THE
HEATHKIT®
AUDIO EQUALIZER
MODEL AD-1305**


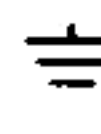


Copyright © 1975
Heath Company
All Rights Reserved

NOTES:

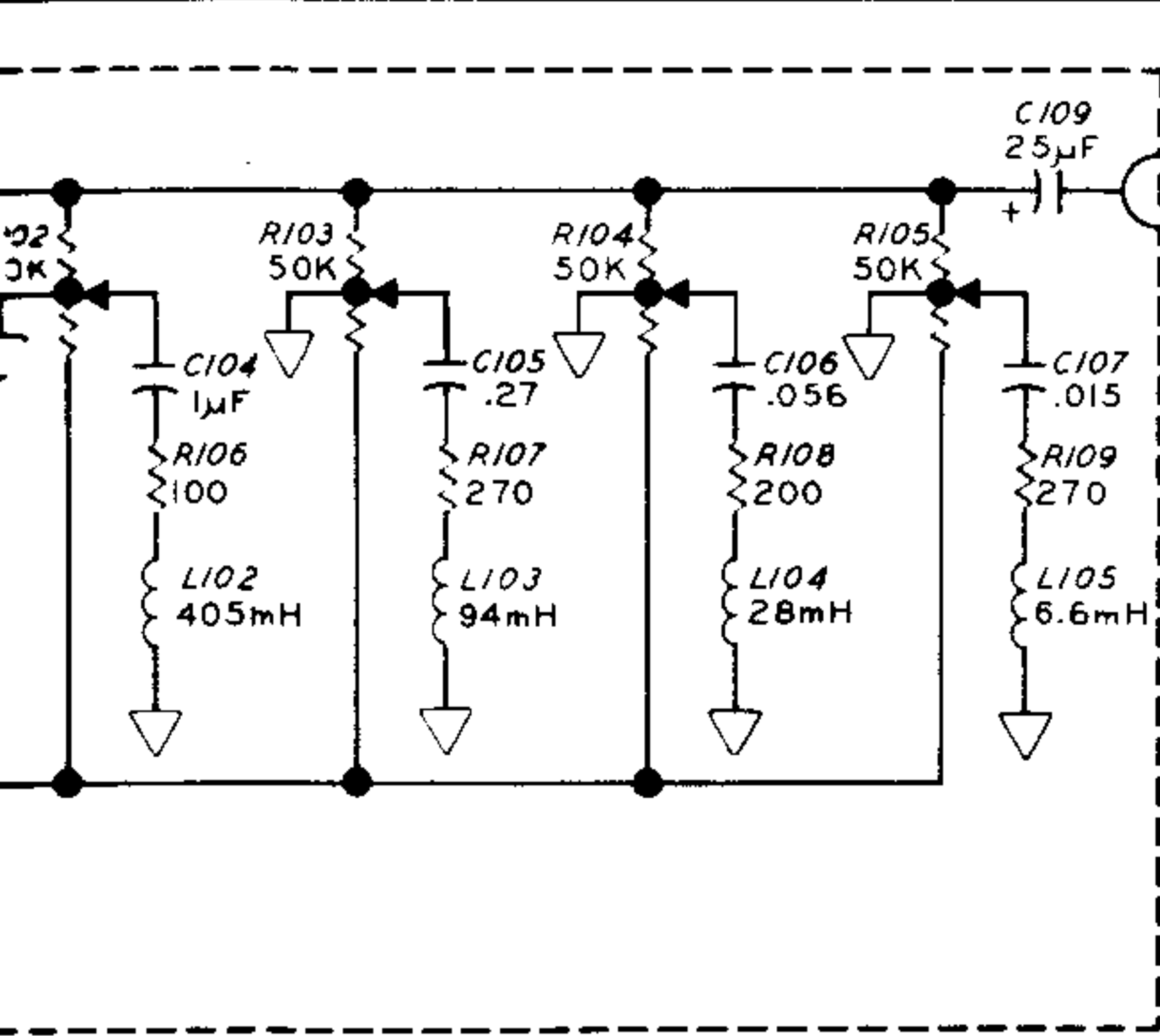
1. PARTS ARE NUMBERED IN THE FOLLOWING GROUPS:
 - 1- 99 PARTS ON THE EQUALIZER CIRCUIT BOARD.
 - 101-199 PARTS ON THE CONTROL CIRCUIT BOARD.
 - 201-299 PARTS ON THE CHASSIS.
2. ALL RESISTORS ARE 1/2-WATT 5% UNLESS MARKED OTHERWISE. RESISTOR VALUES ARE IN OHMS (K=1000, M=1,000,000.)
3. CAPACITOR VALUES LESS THAN 1 ARE IN µF. VALUES OF 1 OR GREATER ARE IN pF, UNLESS OTHERWISE MARKED.

4. SWITCHES ARE SHOWN AS FOLLOWS:

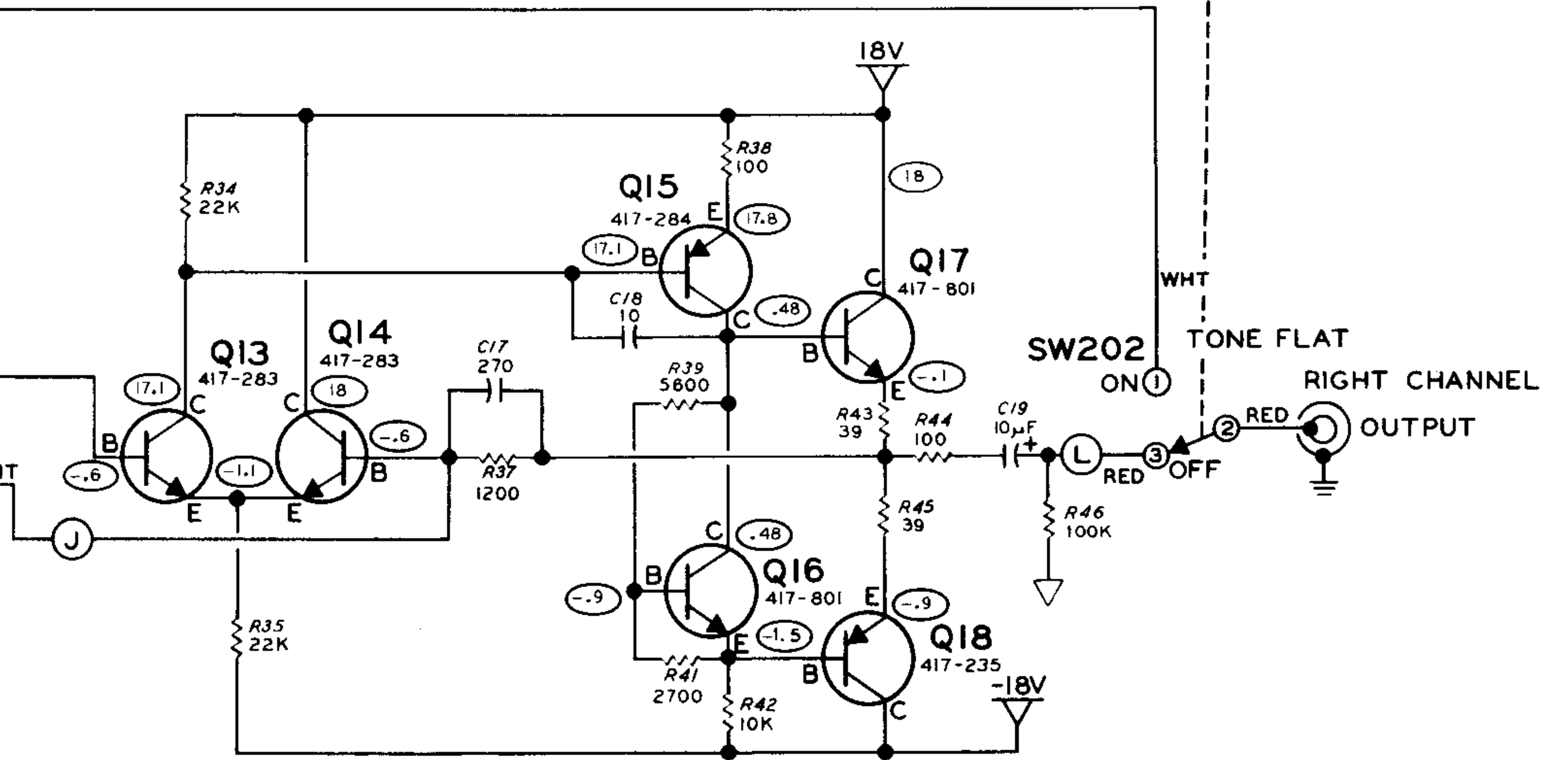
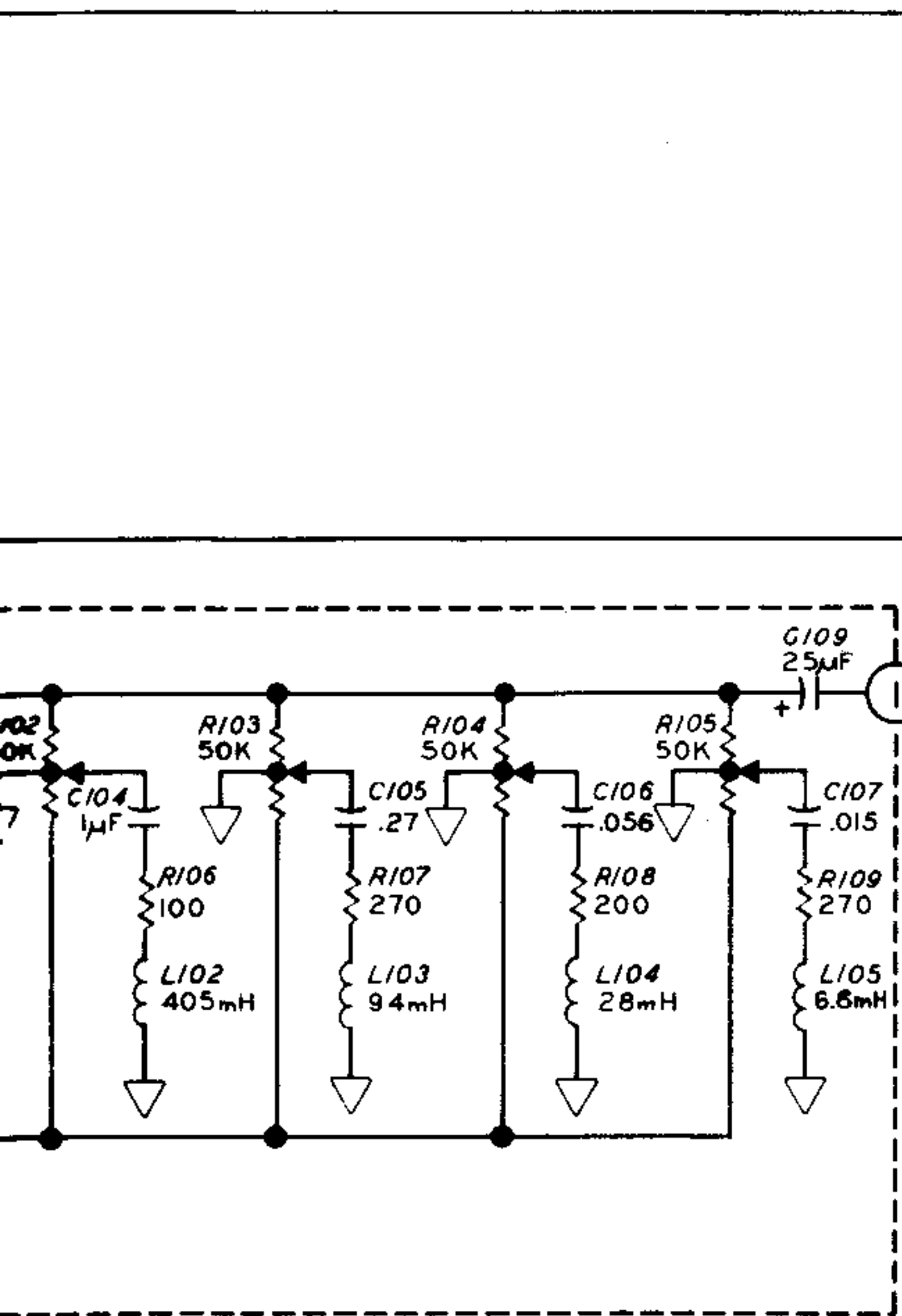
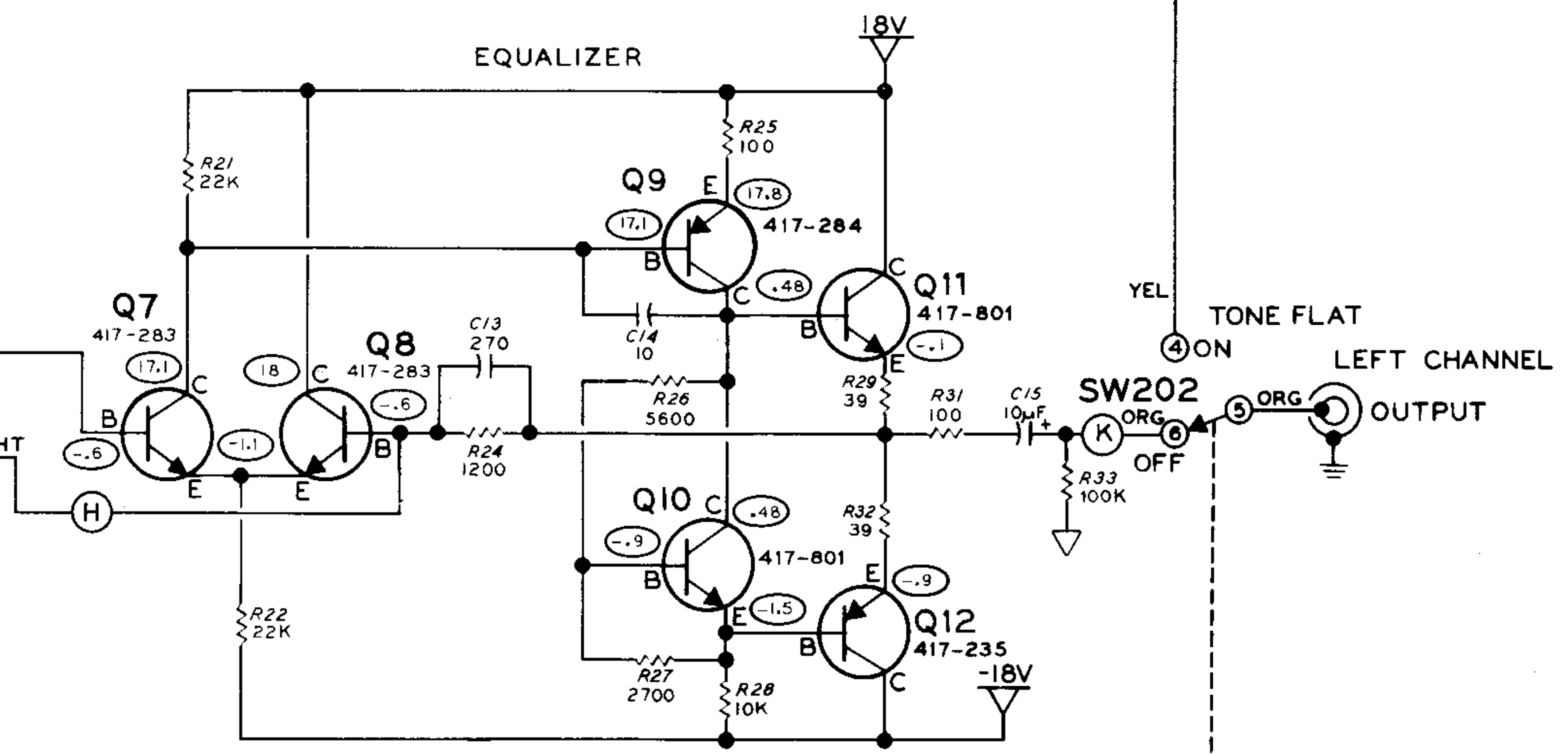
TAPE MON-OFF.
TONE FLAT-OFF.
POWER-OFF.
ALL FREQUENCY CONTROLS-CENTER OF RANGE.

5.  THIS SYMBOL INDICATES A CIRCUIT BOARD GROUND.
6.  THIS SYMBOL INDICATES A CHASSIS GROUND.
7.  THIS SYMBOL WITH A LETTER OR NUMBER IN IT INDICATES A WIRE CONNECTED TO THE CIRCUIT BOARD.
8.  THIS SYMBOL INDICATES A POSITIVE DC VOLTAGE MEASUREMENT TAKEN WITH A HIGH IMPEDANCE VOLT-METER FROM THE POINT INDICATED TO CHASSIS GROUND. VOLTAGES MAY VARY ± 20%.

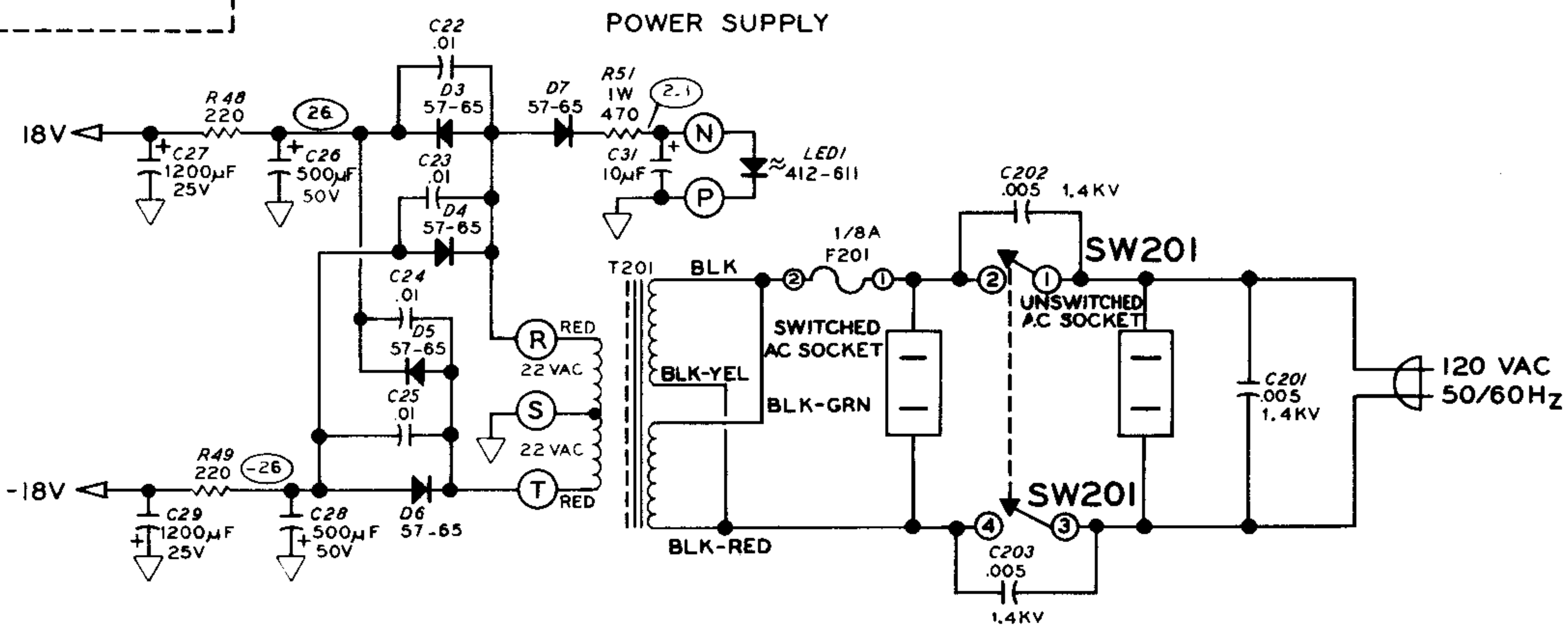
FREQUENCY CONTROL



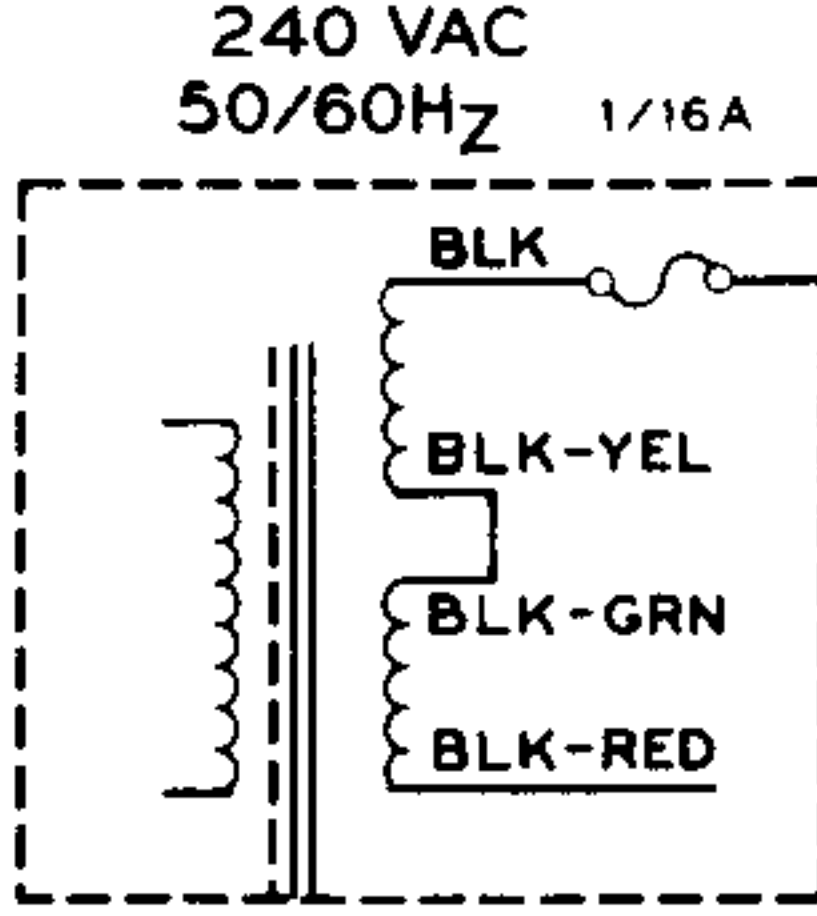
EQUALIZER



POWER SUPPLY



ANGE.
 T BOARD GROUND.
 S GROUND.
 MBER IN IT
 THE CIRCUIT BOARD.
 VE DC VOLTAGE
 IMPEDANCE VOLT-
 TO CHASSIS GROUND.



Free Manual

Not to be resold

**Technology
Systems**

**PLEASE REPORT VOILATIONS TO
WWW.TECH-SYSTEMS-LABS.COM**