

# Goodmans

---

**GCD451**

**Service Manual - GCD451**



NO	ITEM	DESCRIPTION	QTY	LOCATION
1	001-2009D-721	P.C.B Main Board	1	
2	002-06575-D07	I.C BH6575FV	1	IC501
3	002-04453-D07	I.C BH4453F	1	IC401
4	002-0016M-P00	I.C 16M DRAM	1	IC201
5	002-09540-H00	I.C BU9540KV	1	IC101
6	002-24590-H01	I.C BU24590-9H	1	IC301
7	003-3199Y-H03	TRANSISTOR KTC3199Y TO-92S	2	Q4.5
8	003-1266Y-000	TRANSISTOR KTA1266Y	1	Q6
9	003-1271Y-A03	TRANSISTOR KTA1271Y	1	Q2
10	003-00114-S07	TRANSISTOR DTC114TUA SMD	3	Q8.9.7
11	003-00124-S07	TRANSISTOR DTA124EUA SMD	1	Q10
12	003-04115-H00	TRANSISTOR 2SC4115 NPN TO-92S	2	Q1.3
	003-03875-G00	TRANSISTOR KTC3875S SOT-23 SMD	1	Q11
13	004-04148-000	DIODE IN4148	4	D5.6.3.4
14	004-04001-000	DIODE IN4001	1	D1
16	005-00062-A00	ZENER DIODE 1/2W 6.2V	1	ZD1
17	006-16934-000	RESONATOR 16.9344MHz (3Pin)	1	XT1
18	010-A0106-000	CHOKE COIL 10uH 2Pin 4x6mm	3	L5.4.2
19	010-A0396-000	CHOKE COIL 39uH 2Pin 4x6mm	1	L7
20	010-A0107-307	CHOKE COIL 100uH 3Pin 5x7mm	1	L1
21	010-A0107-200	CHOKE COIL 100uH 2Pin 4x6mm	1	L8
22	010-A0337-200	CHOKE COIL 330uH 2Pin 4x6mm	1	L3
23	011-B000A-200	RES CHIP 0 OHM $\pm$ 5% 0603	3	R73.(CBR.4BIT.16M.2PCS)
24	011-B020A-200	RES CHIP 2 OHM $\pm$ 5% 0603	1	R68
25	011-B100A-200	RES CHIP 10 OHM $\pm$ 5% 0603	3	R69.5.41
26	011-B101A-200	RES CHIP 100 OHM $\pm$ 5% 0603	1	R10

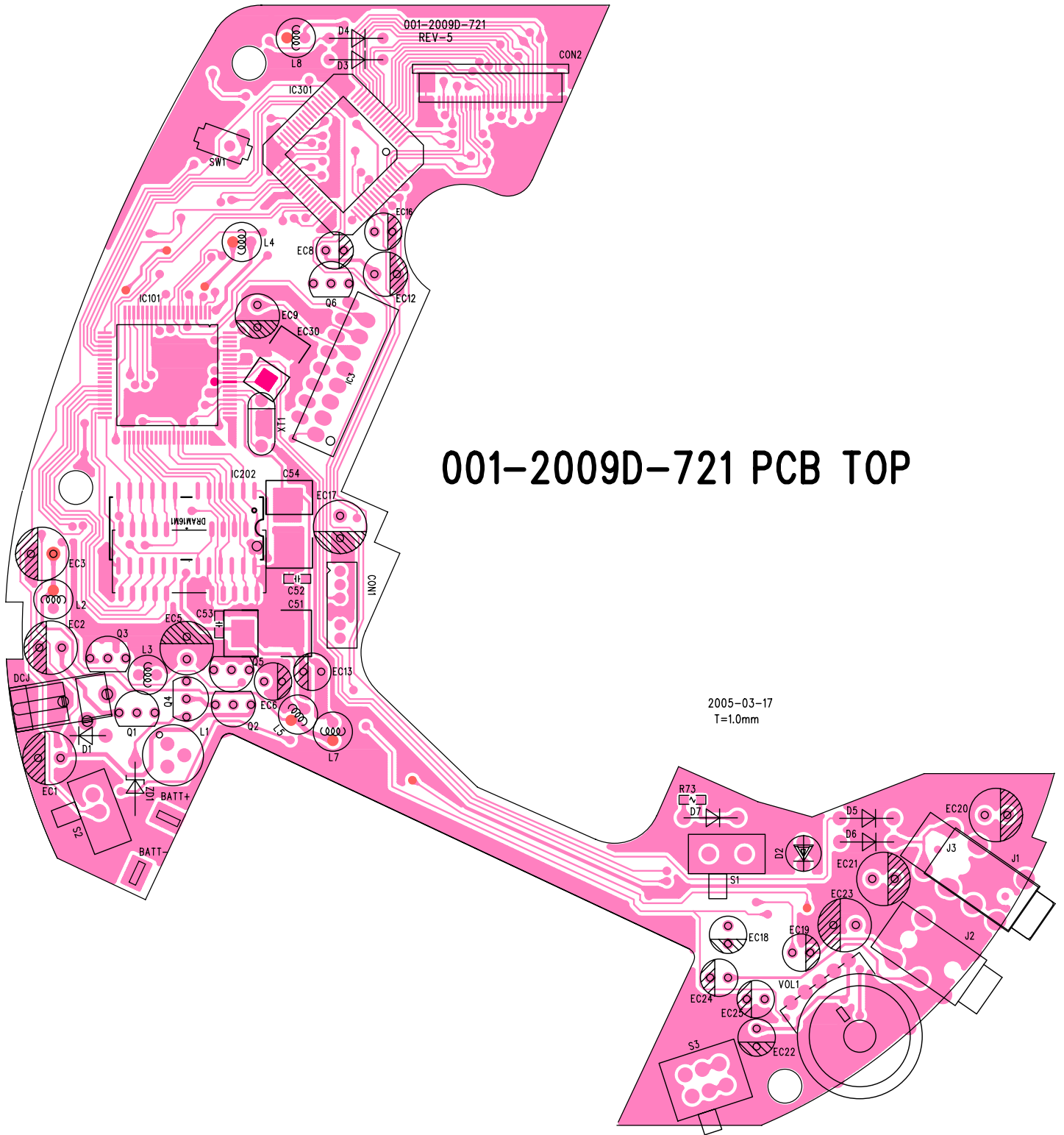
NO	ITEM	DESCRIPTION	QTY	LOCATION
27	011-B102A-200	RES CHIP 1K OHM $\pm 5\%$ 0603	12	R70.71.4.54.55.56.57. 6.42.22.38.72
28	011-B103A-200	RES CHIP 10K OHM $\pm 5\%$ 0603	10	R1.47.45.46.36. 37.33.34.35.39
29	011-B104A-200	RES CHIP 100K OHM $\pm 5\%$ 0603	6	R58.59.53.21.51.2
30	011-B105A-200	RES CHIP 1M OHM $\pm 5\%$ 0603	2	R48.44
31	011-B122A-200	RES CHIP 1.2K OHM $\pm 5\%$ 0603	2	R29.28
32	011-B123A-200	RES CHIP 12K OHM $\pm 5\%$ 0603	2	R9.40
33	011-B153A-200	RES CHIP 15K OHM $\pm 5\%$ 0603	1	R14
34	011-B184A-200	RES CHIP 180K OHM $\pm 5\%$ 0603	1	R65
35	011-B220A-200	RES CHIP 22 OHM $\pm 5\%$ 0603	1	R32
36	011-B223A-200	RES CHIP 22K OHM $\pm 5\%$ 0603	7	R18.19.16.17.24.3.25
37	011-B273A-200	RES CHIP 27K OHM $\pm 5\%$ 0603	2	R8.11
38	011-B244A-200	RES CHIP 240K OHM $\pm 5\%$ 0603	1	R30
39	011-B332A-200	RES CHIP 3.3K OHM $\pm 5\%$ 0603	2	R62.63
40	011-B393A-200	RES CHIP 39K OHM $\pm 5\%$ 0603	1	R13
41	011-B047A-200	RES CHIP 4.7 OHM $\pm 5\%$ 0603	3	R67.23.20
42	011-B471A-200	RES CHIP 470 OHM $\pm 5\%$ 0603	1	R31
43	011-B433A-200	RES CHIP 43K OHM $\pm 5\%$ 0603	1	R12
44	011-B473A-200	RES CHIP 47K OHM $\pm 5\%$ 0603	2	R66.50
45	011-B683A-200	RES CHIP 68K OHM $\pm 5\%$ 0603	1	R43
46	011-B753A-200	RES CHIP 75K OHM $\pm 5\%$ 0603	1	R64
47	011-B822A-200	RES CHIP 8.2K OHM $\pm 5\%$ 0603	3	R60.61.7
48	011-B820A-200	RES CHIP 82 OHM $\pm 5\%$ 0603	1	R15
49	012-4106C-300	ELECT CAP 10uF 16V $\pm 20\%$ 4x5mm	1	EC6
50	012-4475F-300	ELECT CAP 4.7uF 50V $\pm 20\%$ 4x5mm	4	EC18.19.24.25
51	012-4476B-300	ELECT CAP 47uF 10V $\pm 20\%$ 4x5mm	2	EC16.22
52	012-6107B-300	ELECT CAP 100uF 10V $\pm 20\%$ 5x5mm	4	EC9.8.12.1
53	012-5227A-300	ELECT CAP 220uF 6.3V $\pm 20\%$ 6x5mm	7	EC21.23.20.17.3.2.5
54	013-D106L-50A	Tantal Chip CAP 10uF 10V +-20% "A-Size"	1	EC4
55	013-D335P-50A	Tantal Chip CAP 3.3uF 50V +-20% "A-Size"	2	EC15.10
56	013-D107J-50B	Tantal Chip CAP 100uF 6.3V +-20% "B-Size"	1	EC7
57	013-D107M-50B	Tantal Chip CAP 100uF 4V +-20% "B-Size"	1	C15
58	013-D227M-50C	Tantal Chip CAP 220uF 4V +-20% "C-Size"	3	EC30.C51.54

NO	ITEM	DESCRIPTION	QTY	LOCATION
59	014-B102C-500	CHIP CER CAP 0.001uF 50V ±10% 0603	1	C6
60	014-B103C-500	CHIP CER CAP 0.01uF 50V ±20% 0603	1	C16
61	014-B104C-500	CHIP CER CAP 0.1uF 25V ±80-20% 0603	27	C46.47.4.1.8.10.45.38.24. 23.37.26.30.31.27.39.28. 29.40.2.35.36.34.33.32.52.53
62	014-B105C-800	CHIP CER CAP 105PF 25V ±80/20% 0603	3	C48.50.9
63	014-B123C-500	CHIP CER CAP 0.012uF 50V ±20% 0603	2	C22.21
64	014-B223C-500	CHIP CER CAP 0.022uF 50V ±20% 0603	5	C11.12.13.14.5
65	014-B224C-500	CHIP CER CAP 0.22uF 25V ±80-20% 0603	1	C49
66	014-B272C-500	CHIP CER CAP 0.0027uF 50V ±10% 0603	2	C17.18
67	014-B470C-500	CHIP CER CAP 47PF 50V ±10% 0603 NPO	1	C3
68	014-B471C-500	CHIP CER CAP 470PF 50V ±10% 0603	1	C7
69	014-B561C-500	CHIP CER CAP 560PF 50V ±10% 0603	4	C41.42.43.44
70	014-B681C-500	CHIP CER CAP 680PF 50V ±10% 0603	1	C25
71	023-A0030-RD0	LED 3mm RED	1	
72	025-DS200-000	Detector Switch DS-20 4Pin Small	1	SW1
73	025-SS120-450	Slide Switch SS-12D01 1P2T VG-4.5mm	1	S1
74	025-SK120-030	Side Knob Slide Switch SK12D03 1P2T VG-3mm	1	
75	025-SK220-030	Side Knob Slide Switch SK22D03 2P2T VG-3mm	1	
76	026-010KA-A14	VOL ROTARY 10KA 1401-A101mm	1	2005 VOL
77	028-ST006-B51	3.5mm LINE OUT JACK ST-006	1	J1
78	028-ST006-B52	3.5mm Headphone JACK ST-006	1	J2
79	036-A0150-06S	Connector 6Pin Socket P=1.5mm 180°Small	1	CON1
80	036-D0100-160	Connector 16Pin Socket P=1.0mm 90°	1	CN1
81	036-G0050-240	Connector 24Pin Socket P=0.5mm SMD W/Lock	1	
82	048-DC480-001	DC JACK DC-480	1	
83	052-0TW60-350	3.5mm Stereo Earphone TW-60	1	
84	201-EI350-062	AC Adaptor EI-35 230V 50Hz 4.5V DC 600mA "CE"	1	
85	203-2009S-C90	CD DECK "SAMSUNG" CMS-M97DG6	1	
		KEY BOARD		
86	001-2049S-D60	P.C.B KEY BOARD	1	
87	008-80449-C00	LCD DISPLAY 80449TR	1	
88	011-B223A-200	RES CHIP 22K OHM ±5% 0603	1	R6

NO	ITEM	DESCRIPTION	QTY	LOCATION
89	011-B472A-200	RES CHIP 4.7K OHM ±5% 0603	2	R2.4
90	011-B682A-200	RES CHIP 6.8K OHM ±5% 0603	2	R1.3
91	011-B822A-200	RES CHIP 8.2K OHM ±5% 0603	1	R5
92	031-20394-240	24P FPC Flexible Cable	1	
93	038-00300-20B	Zebra Paper 20Pin L=30mm P=1.0mm	1	
94	050-TA005-16F	Tact Switch 6mm W/Pin 250g	7	
95	209-21000-S00	OPEN SPRING	1	
96	209-20490-P00	DOOR SPRING	1	
97	211-2009A-000	BATTERY PLATE "+.-"	1	
98	211-2009B-000	BATTERY PLATE "-"	1	
99	211-2009C-000	BATTERY PLATE "+"	1	
100	225-00068-100	Rubber Sponge D=6.8x1mm	2	
101	225-20490-A00	DOUBLE-TAPE	1	
102	225-10020-A00	LAMP BUSHING	1	
103	234-KB017-03B	SCREW KB 1.7x3 Black	4	FOR KEY
104	234-PA020-08B	SCREW PA 2x8 Black	6	FOR MAIN UNIT
105	240-20280-0GN	CD CUSHION RUBBER GREEN	3	
106	247-20050-080	Ribbon For Battery Box L=80mm 80x6.5mm	1	
107	301-0C067-080	POLYBAG 6-3/4x8" T=0.04mm	1	
108	303-2008A-A10	POLYFOAM	1	
109	304-2049A-A10	GIFT BOX	1	
110	305-2049A-A10	INSTRUCTION MANUAL	1	
111	306-20490-A10	CARTON 1/10	1	
112	307-CD020-A00	CD PAPER CARD FOR CD	1	
113	308-2049A-000	PVC MODEL PLATE	1	
114	401-2049B-100	TOP-COVER ABS	1	
115	401-2009B-100	BOTTOM-COVER ABS	1	
116	401-2009M-100	MIDDLE-COVER ABS	1	
117	407-2009A-100	BATTERY DOOR ABS	1	
118	411-2049A-500	LCD-LENS PVC CLEAR	1	
119	411-2009F-100	TACT-SWITCH-CAP ABS	1	
120	458-2049C-100	KEY-KNOB ASS'Y ABS	1	
121	458-2006B-1NL	HOLD/BASS KNOB ABS Natural	2	

NO	ITEM	DESCRIPTION	QTY	LOCATION
122	459-2009A-1BK	OPEN KNOB ABS	1	
123	483-2049A-100	ORNAMENT	1	

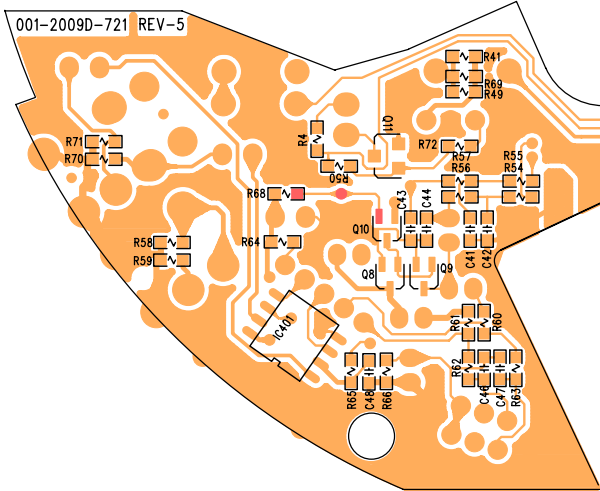
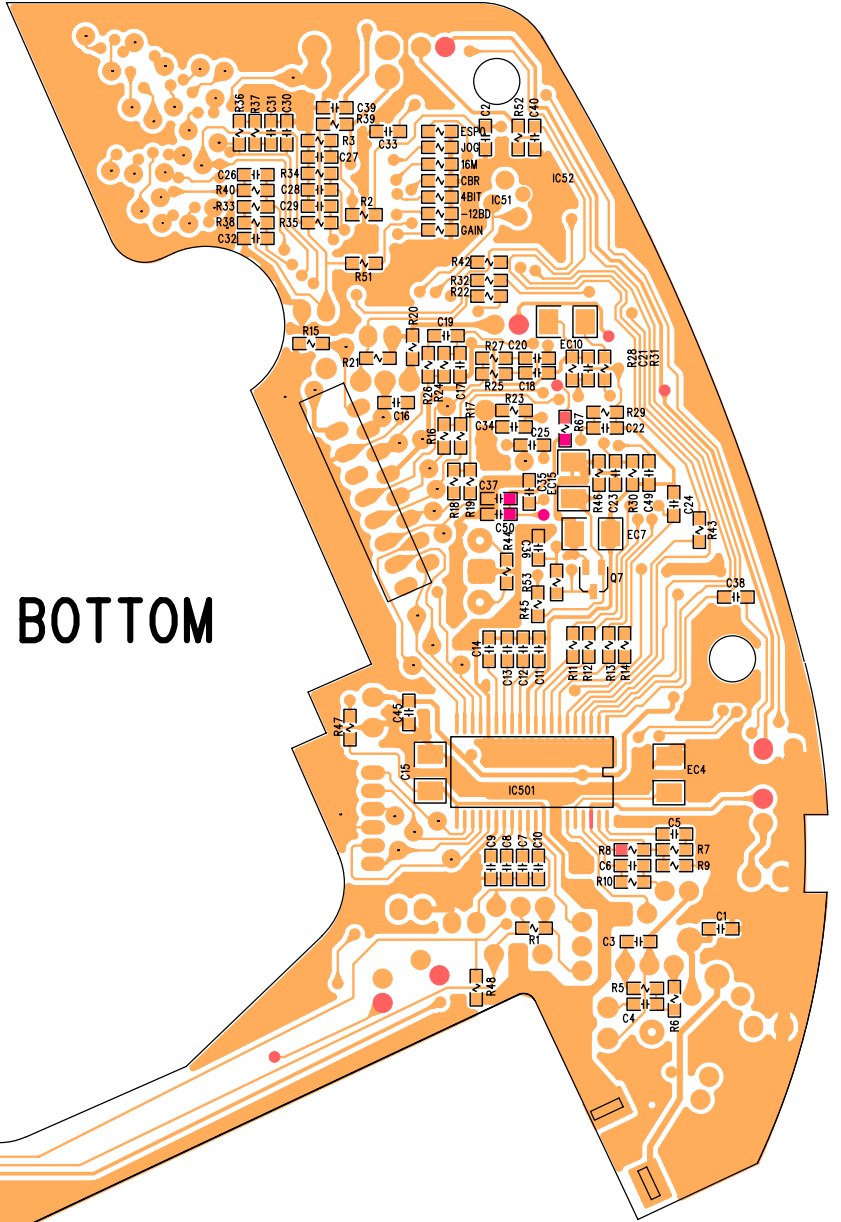
# 001-2009D-721 PCB TOP





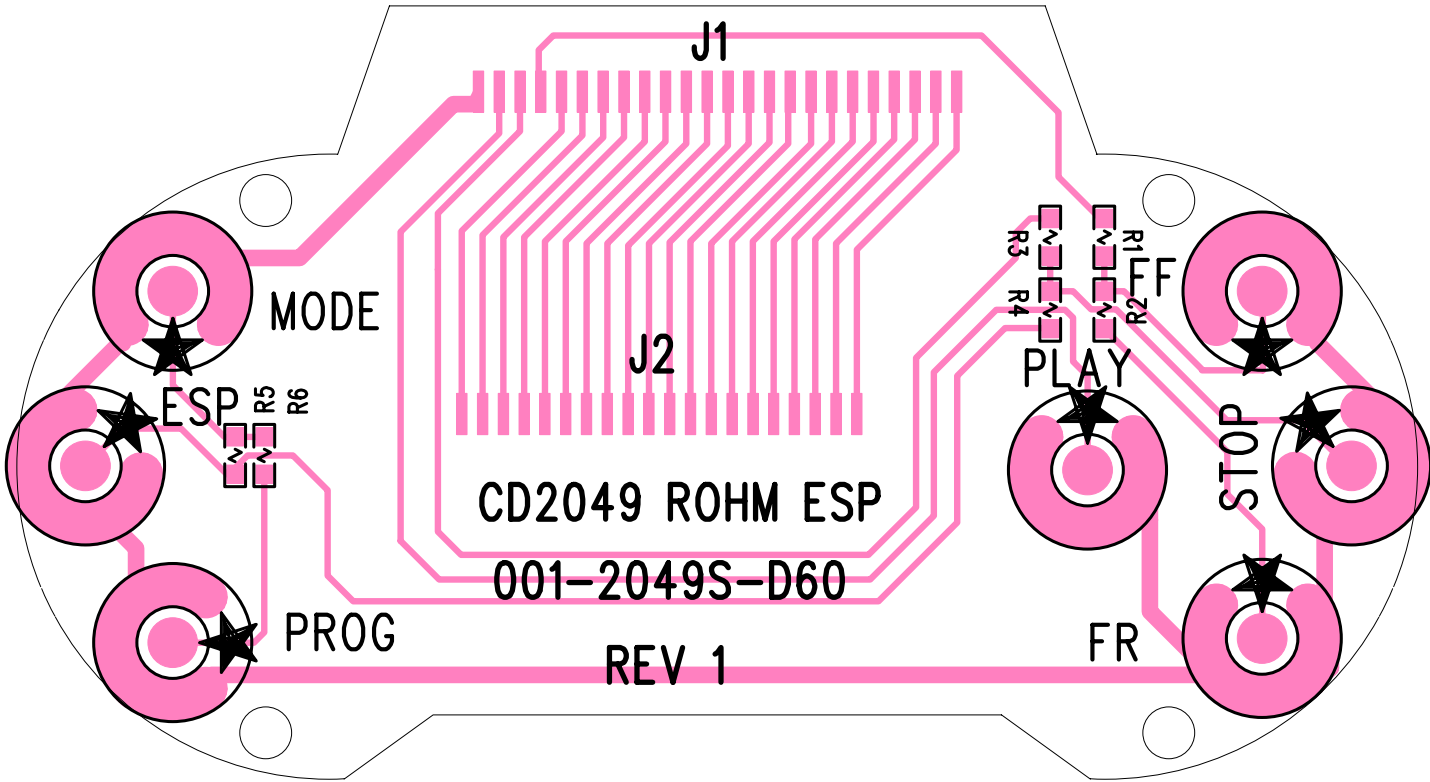
# 001-2009D-721 PCB BOTTOM

5002-03-17  
T=1.0mm

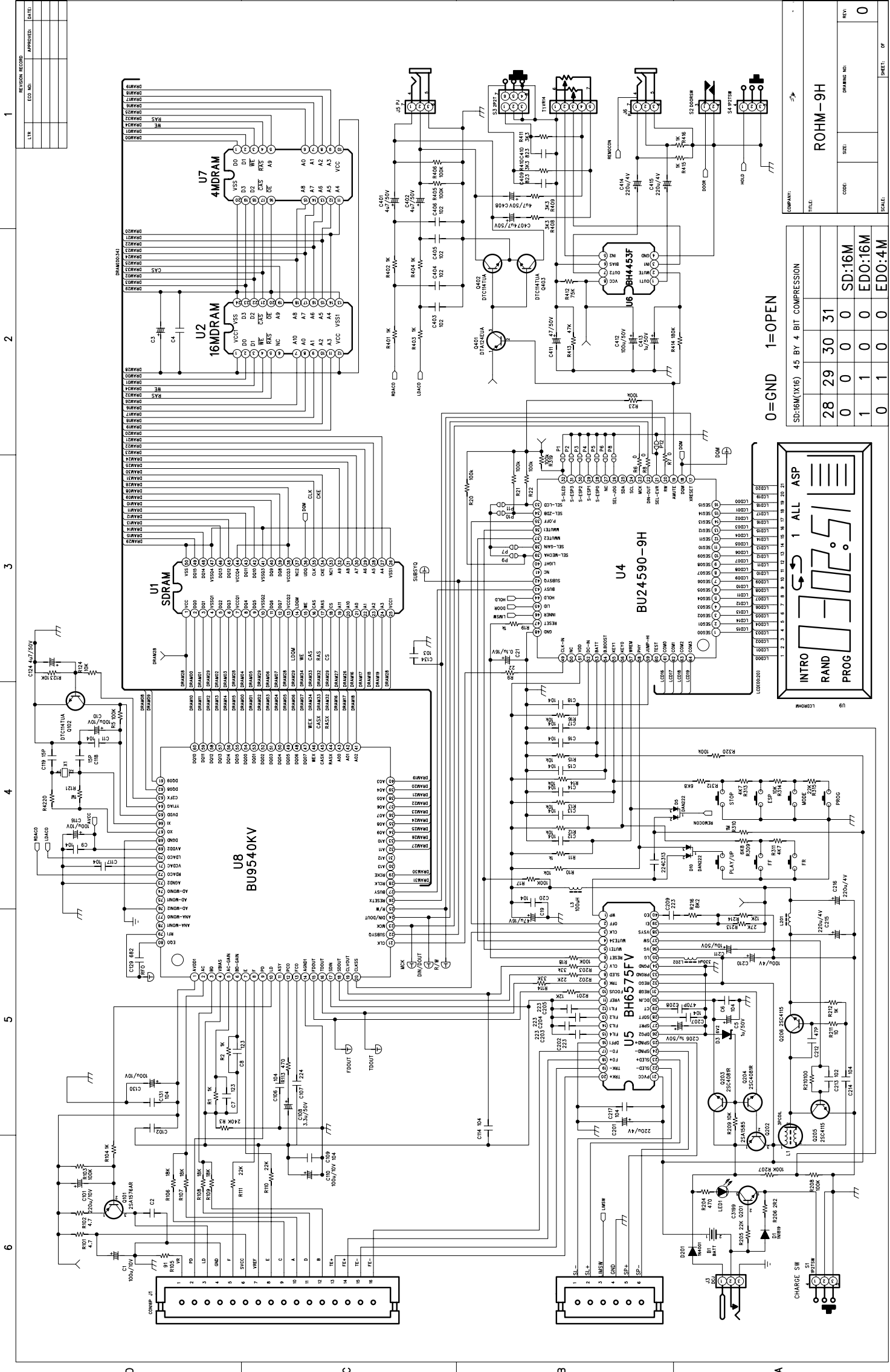


001-2009D-721 REV-5

2004-11-19  
T=0.8mm



001-2049S-D60



COMPANY: ROHM-9H

DATE: \_\_\_\_\_

CODE: \_\_\_\_\_

SIZE: \_\_\_\_\_

DRAWING NO: \_\_\_\_\_

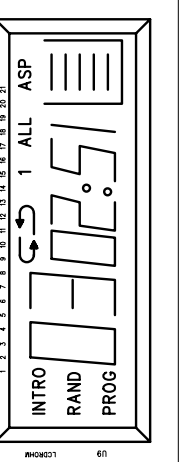
REV: \_\_\_\_\_

SCALE: \_\_\_\_\_

SHEET: 0F

SD:16M(X16) 45 BY 4 BIT COMPRESSION

28	29	30	31				
0	0	0	0	0	SD:16M		
1	1	0	0	0	EDO:16M		
0	1	0	0	0	EDO:4M		



REVISION RECORD

NO.	DATE	REVISION