

PARTS LIST AND DESCRIPTIONS TUBES

ITEM No.	USE	TYPE	ITEM No.	USE	TYPE
V1	AF Amp. -Phase Inv.	ECC83/12AX1(7025)*	V3	Output Rectifier	6X4/6BQ5 (7189)*
V2	Output	6X4/6BQ5 (7189)*	V4	Rectifier	E2B1/6CA4

ELECTROLYTIC CAPACITORS

ITEM No.	RATING CAP.	VOLT.	REPLACEMENT DATA				NOTES		
			FISHER PART No.	AEROVOX PART No.	CORNELL-DUBIER PART No.	MALLOY PART No.		PYRAMID PART No.	SPRAGUE PART No.
C1A	.40	450	C677-120	A FH3-44	C0350	FP377	TMT-40	TVL-3787	
C1B	.40	350							
C1C	.40	350							
C2	100	25	C677-145	SRE25V100	BBR100-25	TC2501	ML100-25	TE-1211	

FIXED CAPACITORS

Capacity values given in the rating column are in mfd. for Paper Capacitors, and in mmfd. for Mica and Ceramic Capacitors.

ITEM No.	RATING CAP.	VOLT.	TOL.	REPLACEMENT DATA				NOTES	
				FISHER PART No.	AEROVOX PART No.	CORNELL-DUBIER PART No.	MALLOY PART No.		SPRAGUE PART No.
C3	.022	250	10%	C50074-28	V84C4522	PM4522	GTM-4122	4TM-522	
C4	.220	500	10%	CC2GP221K5	NPO-S1 220	L10722	JL-322	5GA-T22S 10%	
C5	.047	500	10%	C50074-37	V84C6847	PM6847	GTM-6147	6TM-S47	
C6	.047	500	10%	C50074-37	V84C6847	PM6847	GTM-6147	6TM-S47	
C7	47	500	10%	CC2GP470K5	N750-S1 47	TCN-47	CN7-447	5TCU-Q47S 10%	
C8	.01	600		C2747	P688N-01	D6-103	CUBASSI	GEM-611	

* Not normally in distributor's stock. Available thru distributor on order to manufacturer.

CONTROLS

ITEM No.	RATING RESIST. ANCE.	WATTS	REPLACEMENT DATA			INSTALLATION NOTES		
			FISHER PART No.	CENTRALAB PART No.	IRC PART No.		MALLOY PART No.	
R1	500K	1/4	JP-504	48M-500K-S	Q11-123	SU-95		Input Level
R2A	50K	1/4	EX-31	A47-50K-S	Not Req.	Not Req.		Phase Inverter Balance
R2B	50K	1/4	Not Req.	FKS-1/4	Not Req.	Not Req.		

RESISTORS

All wattages 1/2 watt, or less, unless otherwise listed.

ITEM No.	RATING	REMARKS	ITEM No.	RATING	REMARKS
R4	390K		R9	22000	
R5	15000		R10	820K	
R6	82K		R11	33K	
R7	56K		R12	1400 5%5W	

TRANSFORMER (POWER)

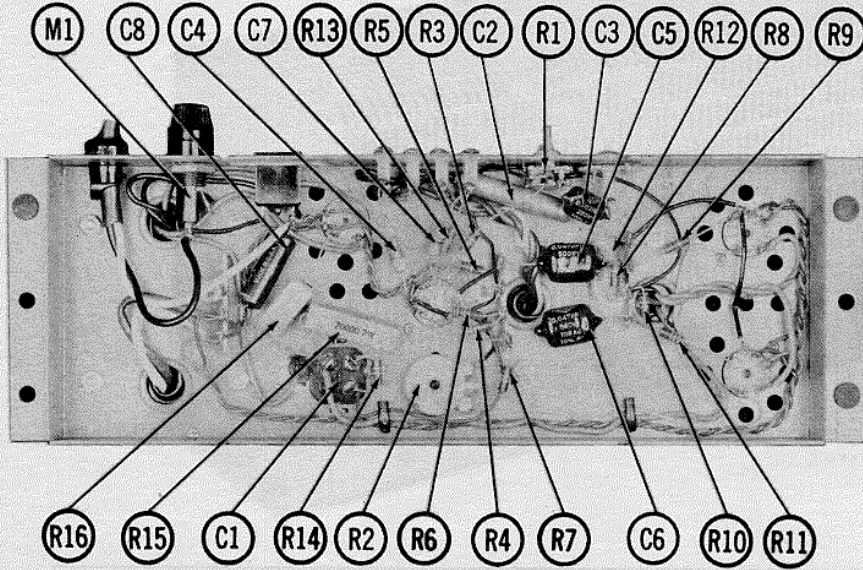
ITEM No.	RATING	REPLACEMENT DATA			REMARKS	ITEM No.	RATING	REMARKS
		FISHER PART No.	Halderson PART No.	Merit PART No.				
T1	117V @ 660 VCT @ .080A 2.8A	T725-115	24R40U	P-3152①		PC8408	24R40U	R-11A①

① Drill New Mounting Holes.

TRANSFORMER (AUDIO OUTPUT)

ITEM No.	IMPEDANCE	RATING	REPLACEMENT DATA			REMARKS				
			FISHER PART No.	Halderson PART No.	Merit PART No.		Rom PART No.	Stancor PART No.	Thoradson PART No.	Triad PART No.
T2	7000Ω CT	160 Taps @ 80, 40	T725-116	22568①	A-3128①		A-3307①	22588 ①	S-24A①	① Drill New Mounting Holes

CHASSIS BOTTOM VIEW



FUSES

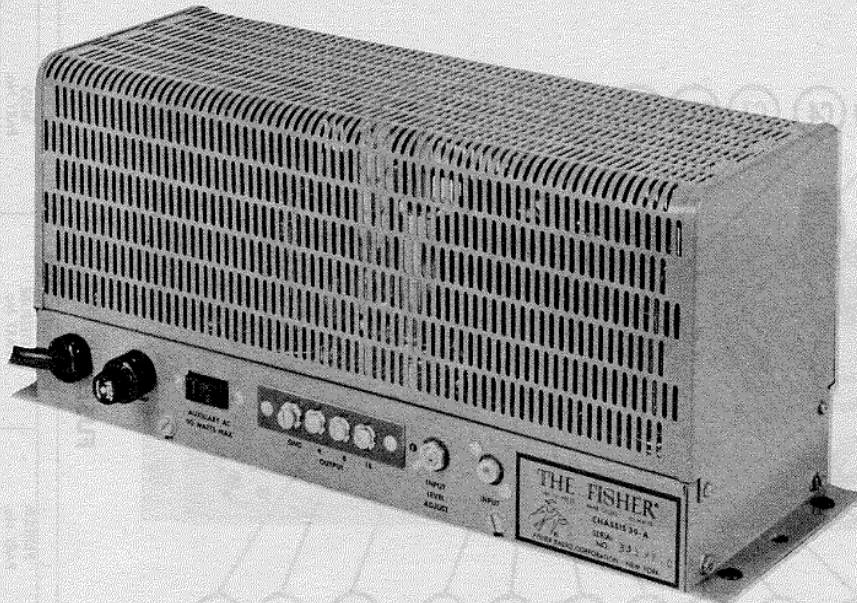
ITEM No.	TYPE	RATING	REPLACEMENT DATA				
			FISHER PART No.	LITTELFUSE PART No.	FUSE HOLDER	FUSE HOLDER	
M1	3AG	1A 250V S/B	F692-132	31300L (3AG JA 250V) S/B	34200L	MDL 1	HKP

WIRING DATA

General-use Unshielded Hook-up Wire Use BELDEN No. 8530 (Solid) Available in Ten Colors
8524 (Stranded) Available in Ten Colors
Power Cord Use BELDEN No. 1765-B (6 Ft. Length)
1725-K (7 1/2 Ft. Length)

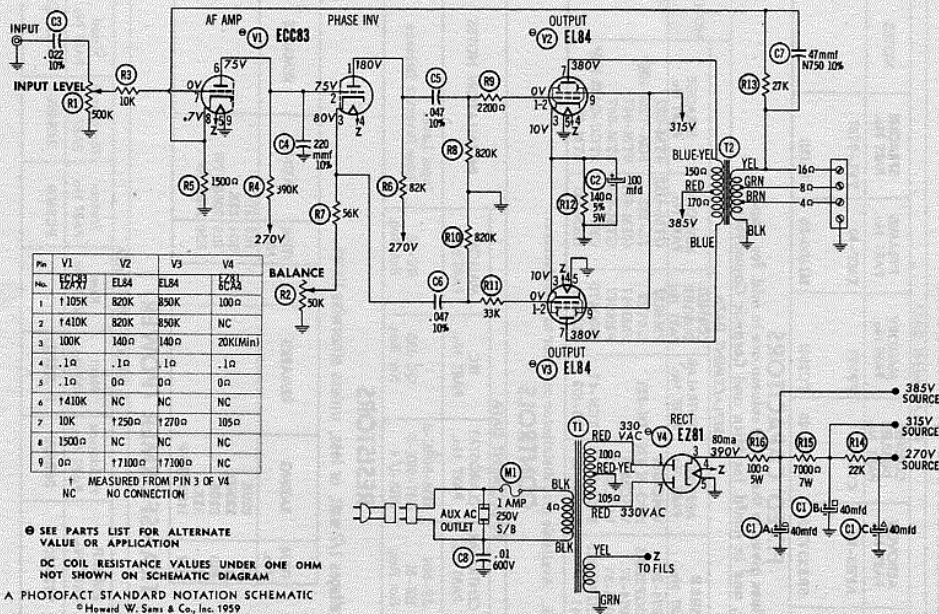


FISHER MODEL
30-A



TRADE NAME Fisher Model 30-A (Serial #30001-39999 inclusive)
 MANUFACTURER Fisher Radio Corp., 21-21 44th Drive, Long Island City 1, N. Y.
 TYPE SET AC Operated 4 Tube Audio Amplifier
 POWER SUPPLY 105 - 125 Volts AC, 60 Cycles RATING 62 Watts, .63 Amp. @117 Volts AC

FISHER MODEL
30-A



HOWARD W. SAMs & CO., INC. Indianapolis 6, Indiana

The listing of any available replacement part herein does not constitute in any case a recommendation, warranty or guaranty by Howard W. Sams & Co., Inc., as to the quality and suitability of such replacement part. The numbers of these parts have been compiled from information furnished to Howard W. Sams & Co., Inc., by the manufacturers of JX328

the particular type of replacement part listed. Reproduction or use, without express permission, of editorial or pictorial content, in any manner, is prohibited. No patent liability is assumed with respect to the use of the information contained herein. © 1959 Howard W. Sams & Co., Inc., Indianapolis 6, Indiana. Printed in U.S. of America