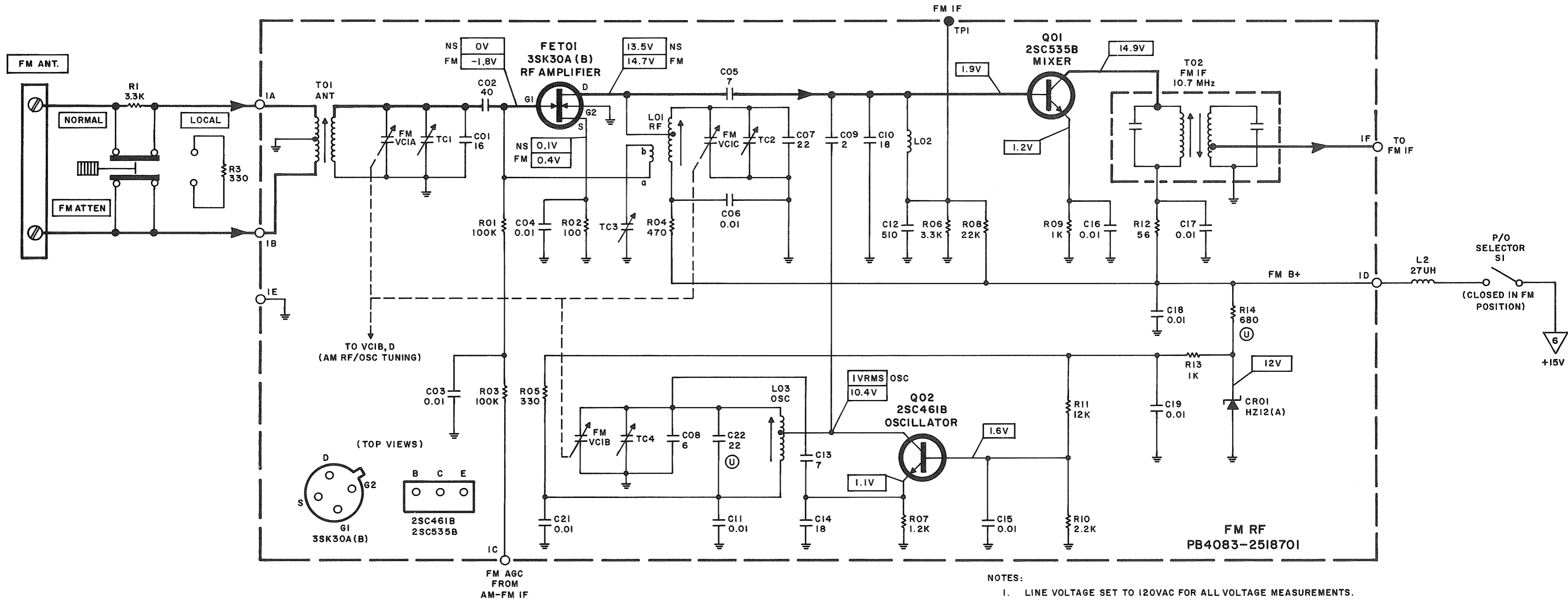
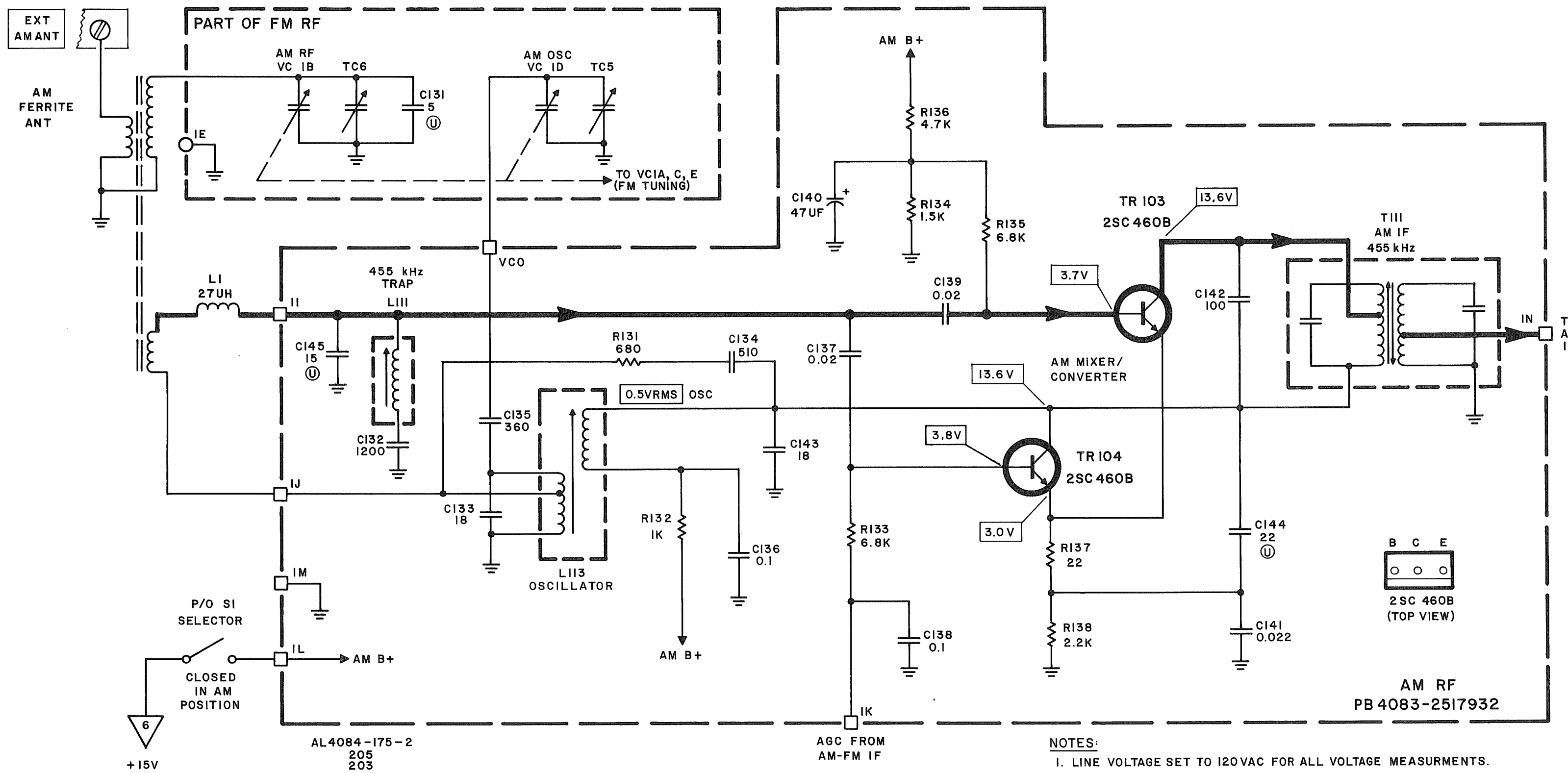


The enclosed schematics cover THE FISHER 203, 213, and 295 Receivers, and furnish servicing information until complete service manuals are available.

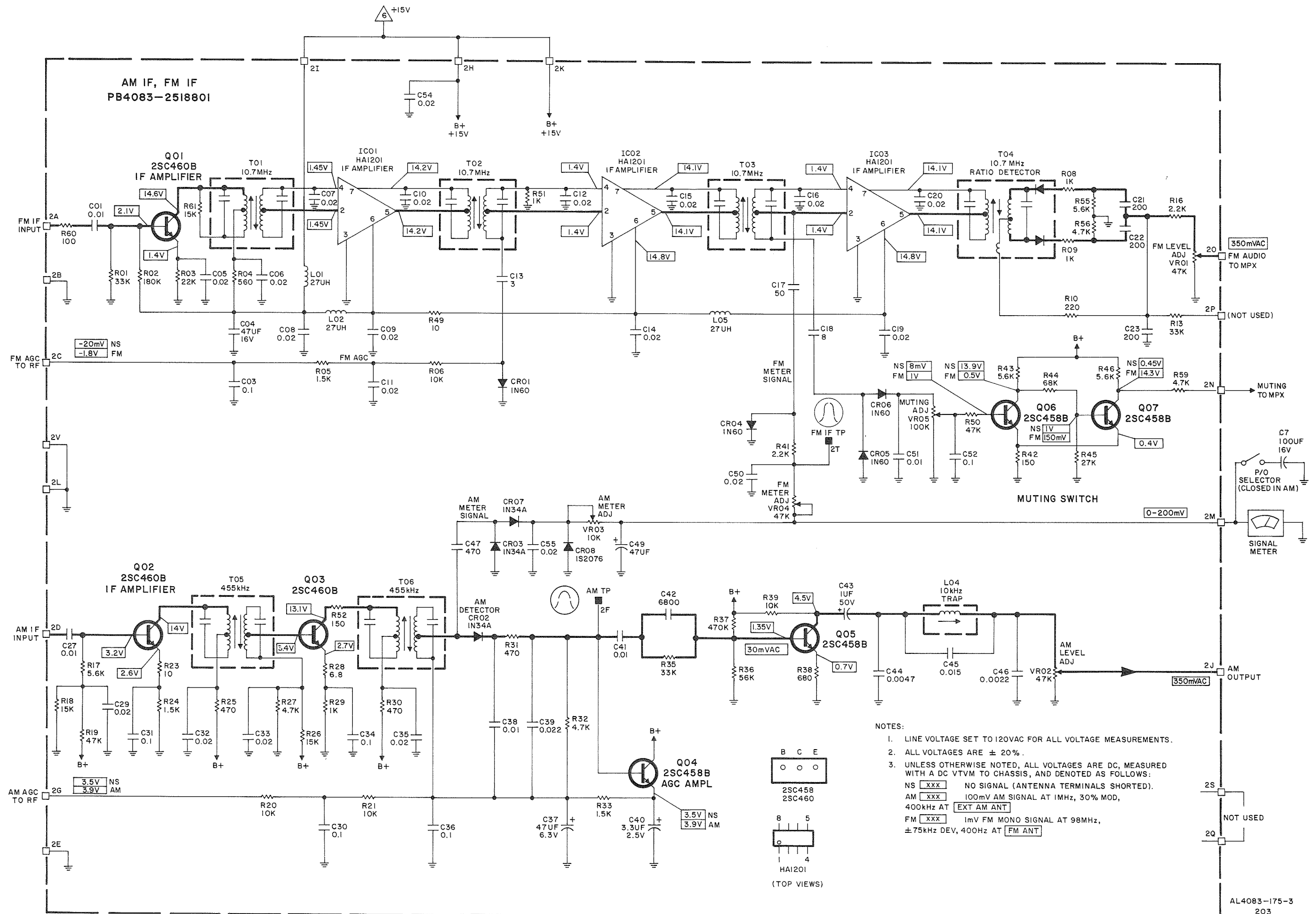




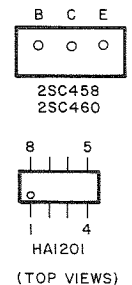
- NOTES:**
1. LINE VOLTAGE SET TO 120VAC FOR ALL VOLTAGE MEASUREMENTS.
 2. ALL VOLTAGES ARE $\pm 20\%$.
 3. ALL VOLTAGES ARE DC, MEASURED WITH A DC VTVM TO CHASSIS, AND DENOTED AS FOLLOWS:
 NS **XXX** NO SIGNAL (ANTENNA TERMINAL SHORTED).
 FM **XXX** 1mV FM MONO SIGNAL AT 98MHz, ± 75 kHz DEVIATION, 400Hz AT FM ANT.
 4. **(U)** DENOTES PARTS MOUNTED ON UNDERSIDE OF BOARD.

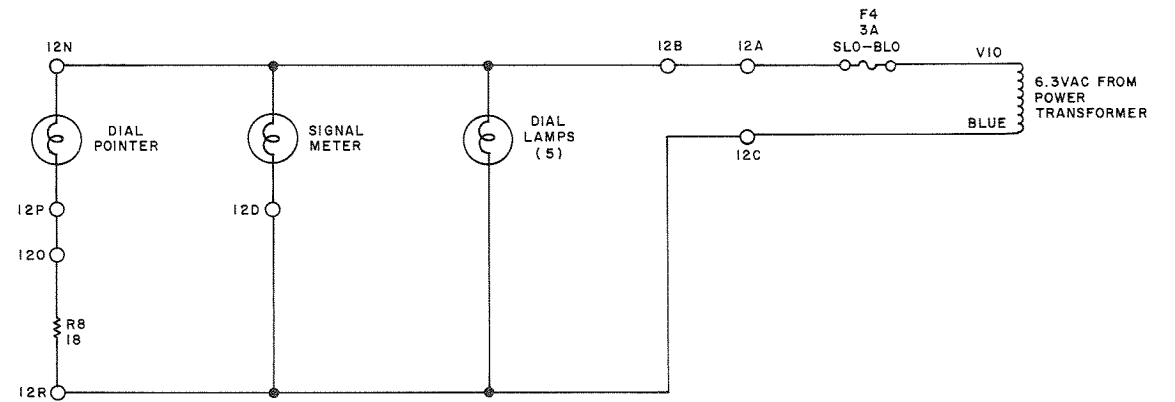
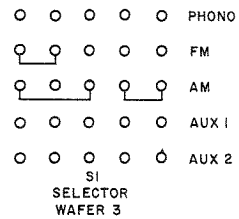
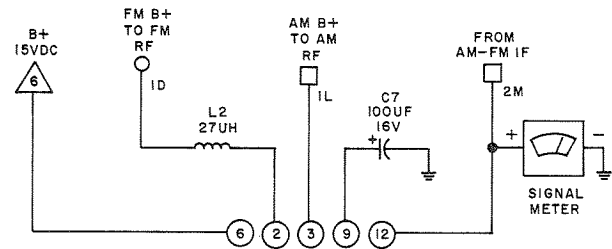


- NOTES:
1. LINE VOLTAGE SET TO 120VAC FOR ALL VOLTAGE MEASUREMENTS.
 2. ALL VOLTAGES ARE $\pm 20\%$
 3. ALL VOLTAGES ARE DC, MEASURED WITH A DC VTVM TO CHASSIS, WITH NO SIGNAL INPUT.
 4. $\text{\textcircled{U}}$ DENOTES PARTS MOUNTED ON UNDERSIDE OF BOARD.

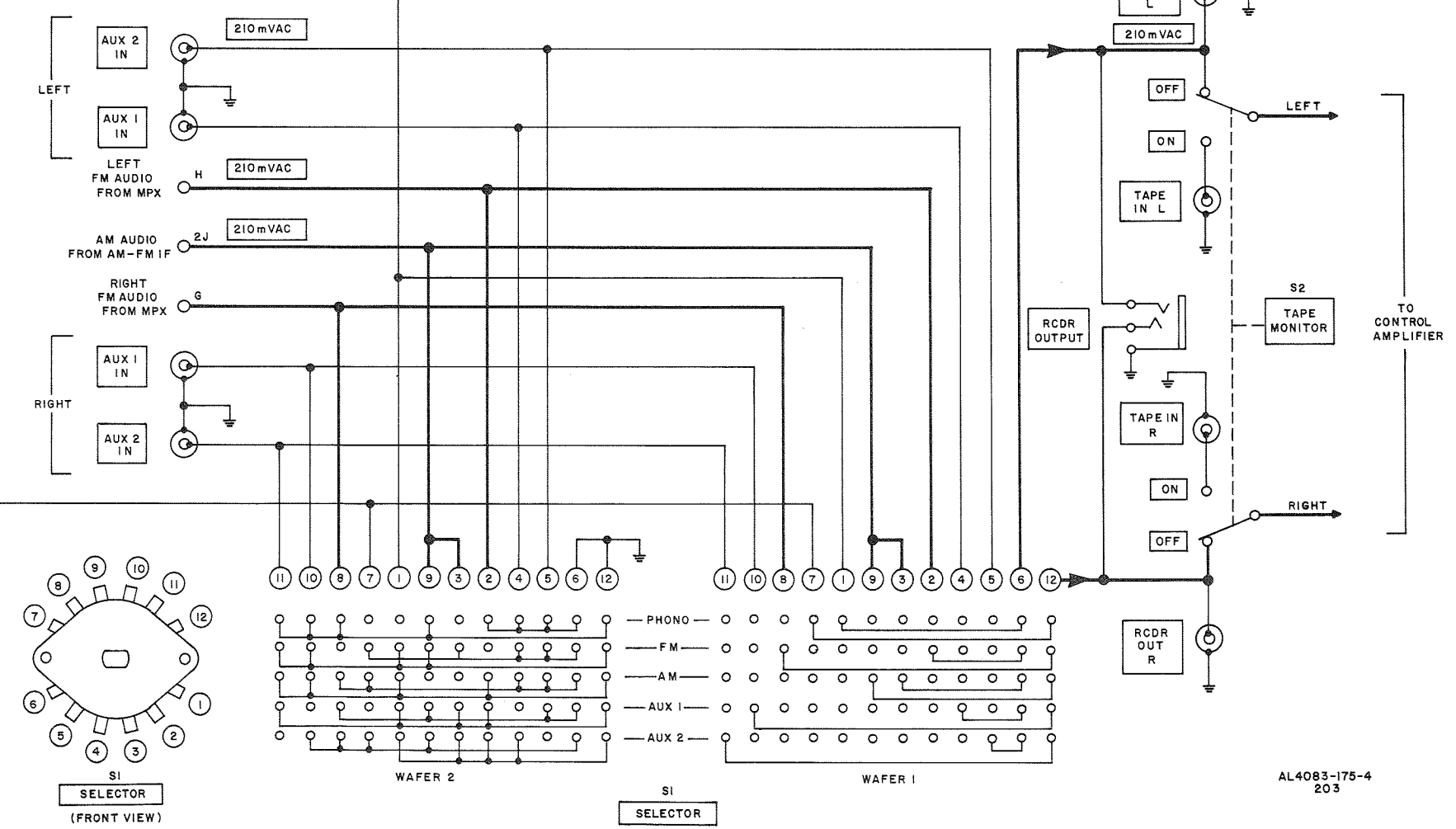
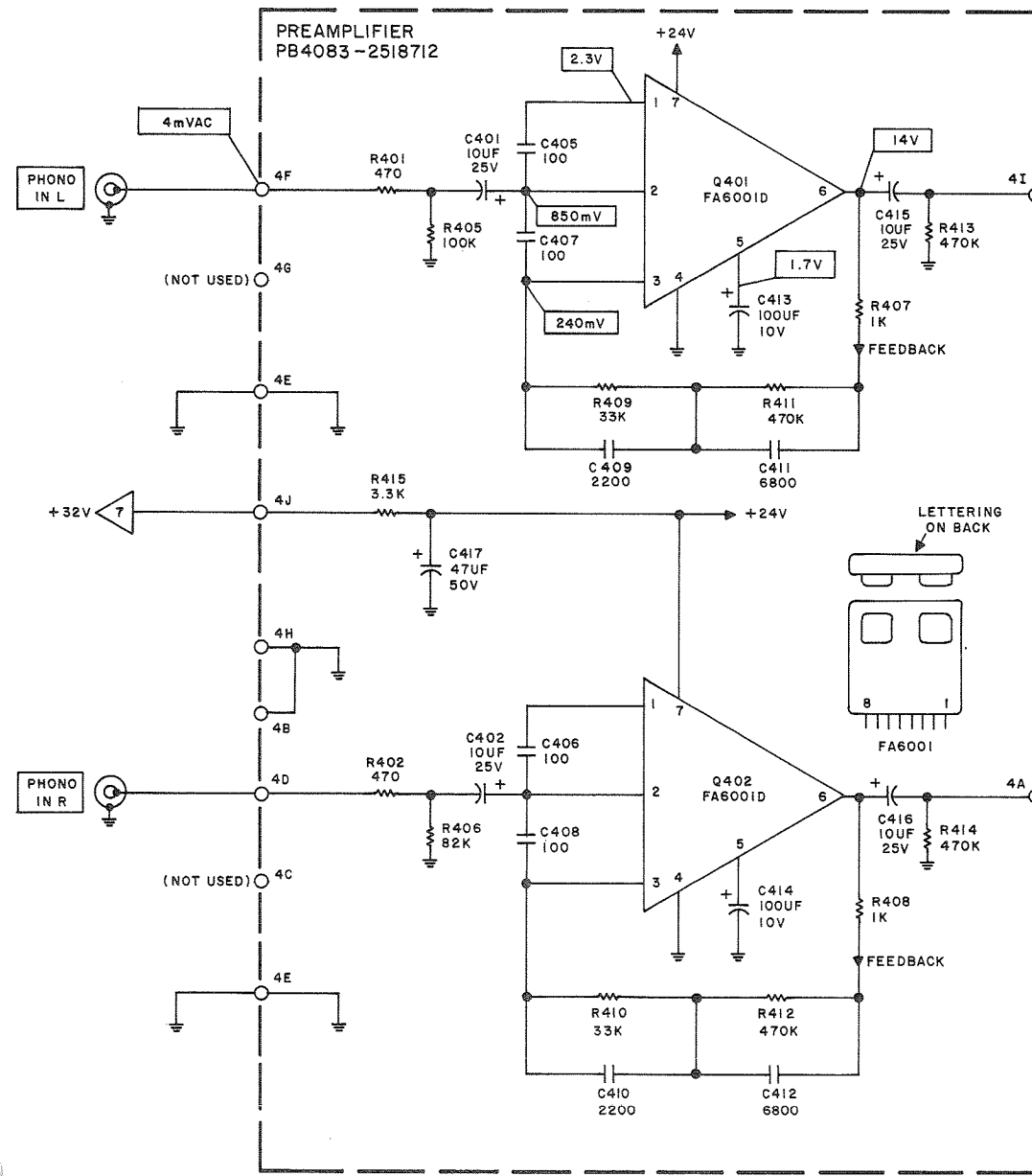


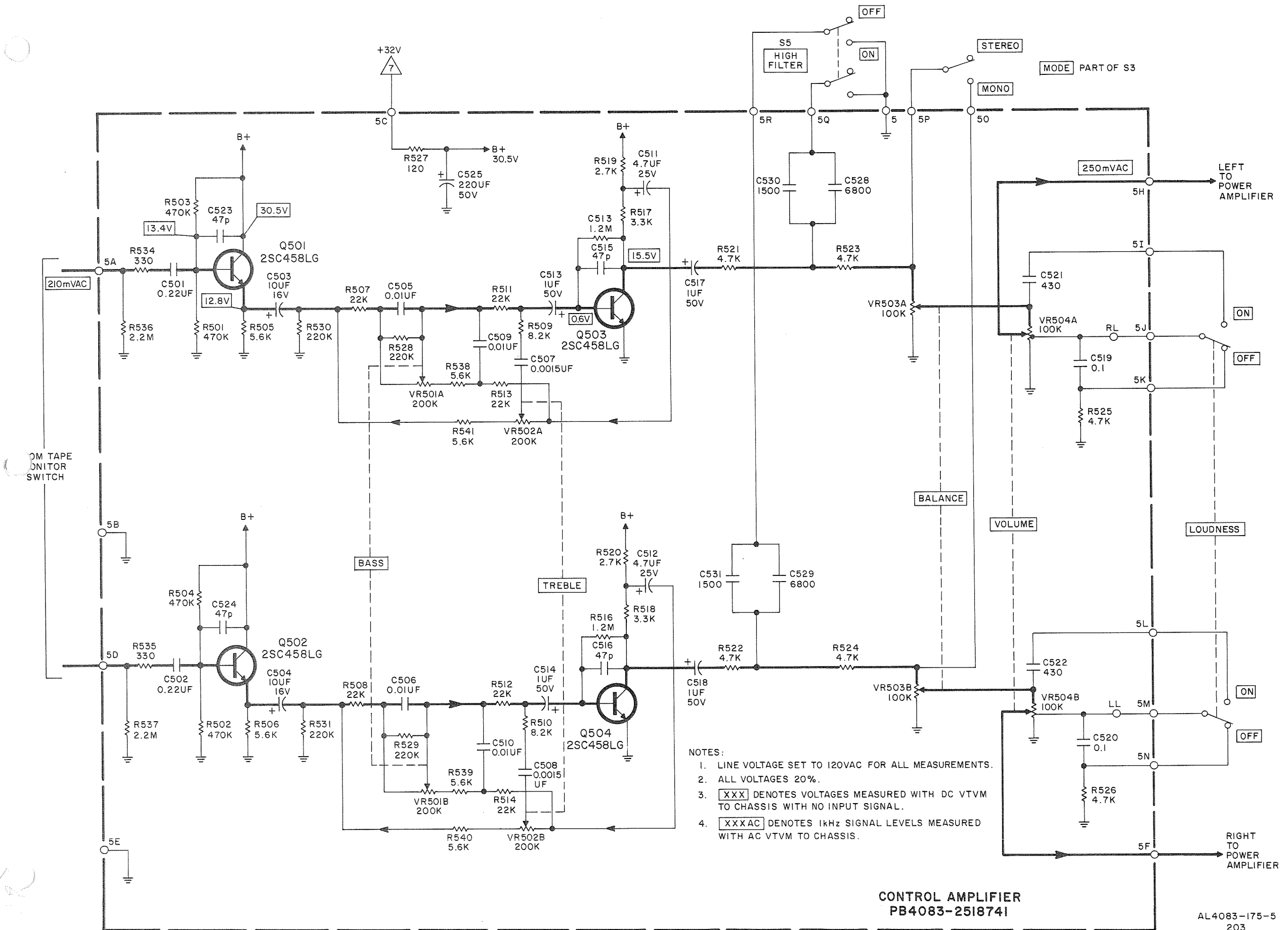
- NOTES:
1. LINE VOLTAGE SET TO 120VAC FOR ALL VOLTAGE MEASUREMENTS.
 2. ALL VOLTAGES ARE $\pm 20\%$.
 3. UNLESS OTHERWISE NOTED, ALL VOLTAGES ARE DC, MEASURED WITH A DC VTVM TO CHASSIS, AND DENOTED AS FOLLOWS:
 NS [xxx] NO SIGNAL (ANTENNA TERMINALS SHORTED).
 AM [xxx] 100mV AM SIGNAL AT 1MHz, 30% MOD, 400kHz AT [EXT AM ANT]
 FM [xxx] 1mV FM MONO SIGNAL AT 98MHz, ± 75 kHz DEV, 400Hz AT [FM ANT]





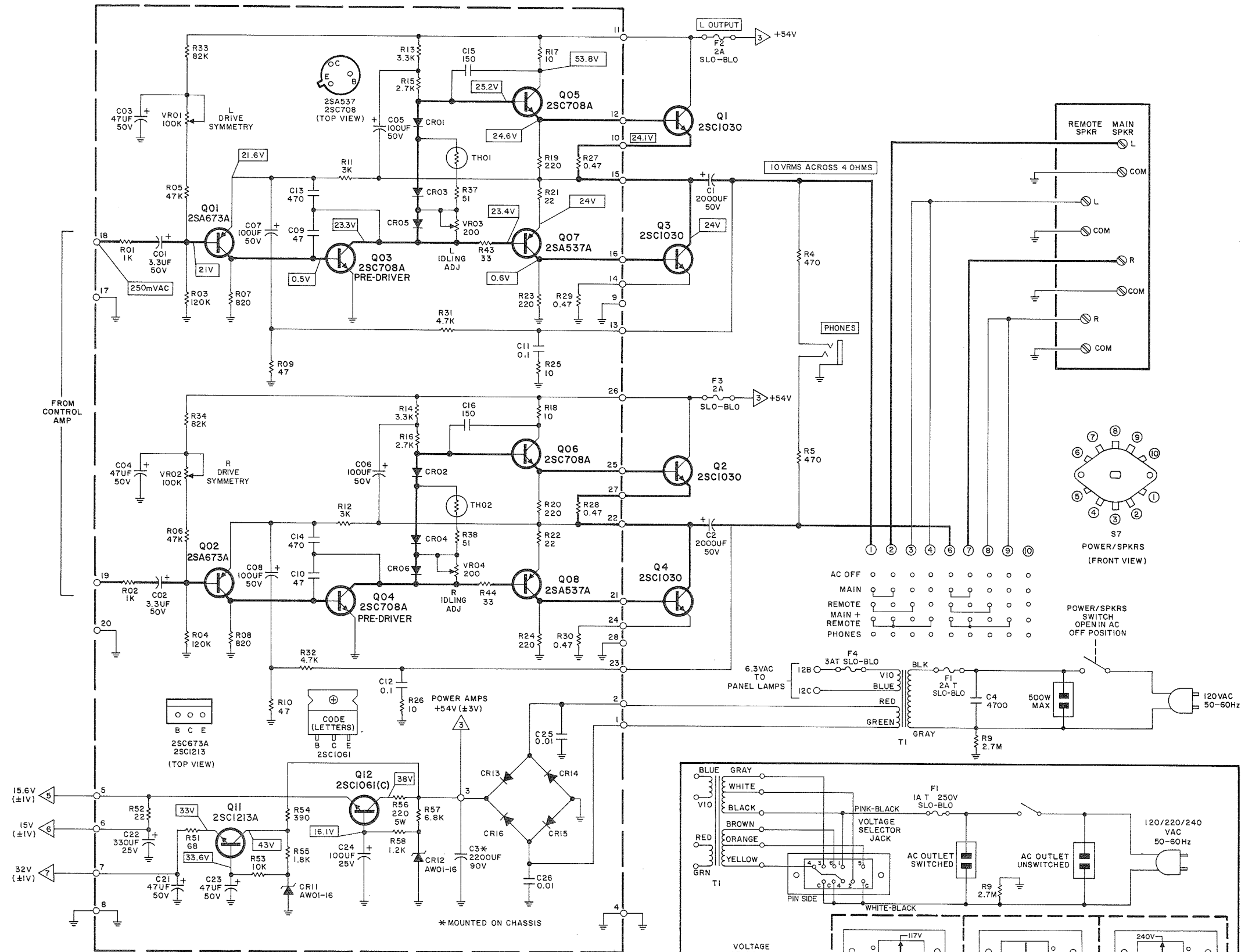
- NOTES:
1. LINE VOLTAGE SET TO 120VAC FOR ALL MEASUREMENTS.
 2. ALL VOLTAGES 20%
 3. XXX DENOTES DC VOLTAGES MEASURED WITH DC VTVM TO CHASSIS WITH NO INPUT SIGNAL.
 4. XXXVAC DENOTES 1kHz SIGNAL LEVELS MEASURED WITH AC VTVM TO CHASSIS.





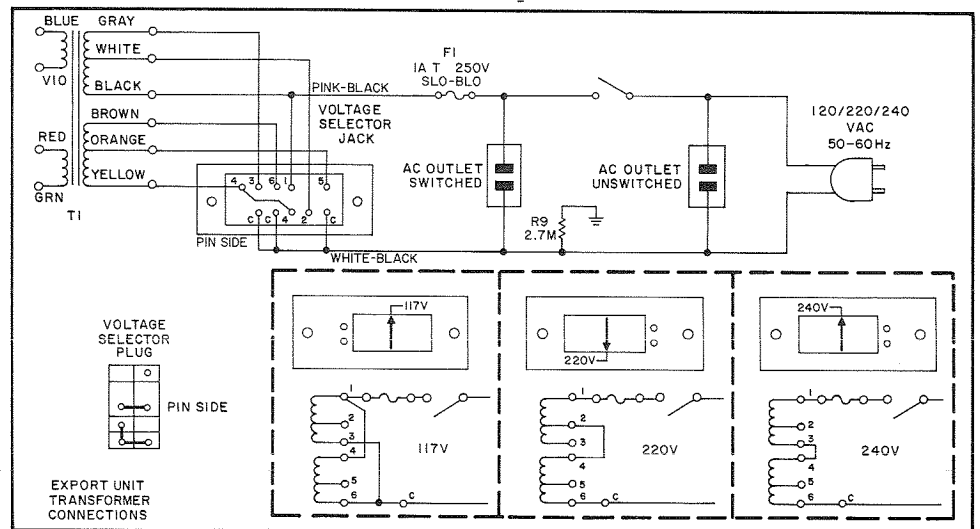
- NOTES:
1. LINE VOLTAGE SET TO 120VAC FOR ALL MEASUREMENTS.
 2. ALL VOLTAGES 20%.
 3. [XXX] DENOTES VOLTAGES MEASURED WITH DC VTVM TO CHASSIS WITH NO INPUT SIGNAL.
 4. [XXXAC] DENOTES 1kHz SIGNAL LEVELS MEASURED WITH AC VTVM TO CHASSIS.

**CONTROL AMPLIFIER
PB4083-2518741**

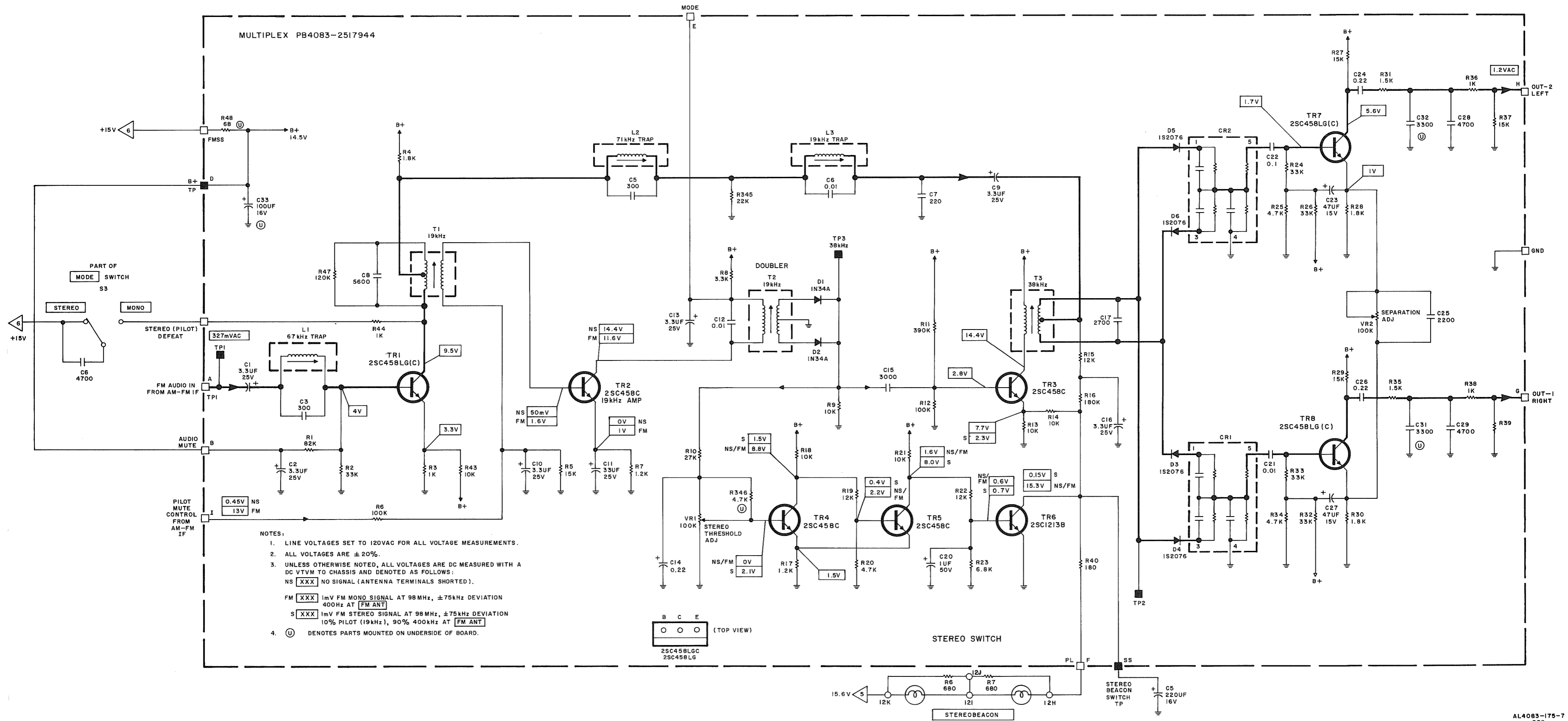


AL4083-175-6
203

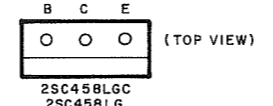
- NOTES:
1. LINE VOLTAGE SET TO 120VAC FOR ALL VOLTAGE MEASUREMENTS.
 2. ALL VOLTAGES $\pm 20\%$.
 3. [XXX] DENOTES DC VOLTAGES MEASURED WITH DC VTVM TO CHASSIS WITH NO INPUT SIGNAL.
 4. [XXXVAC] DENOTES 1kHz SIGNAL, IN MILLIVOLTS, MEASURED WITH AC VTVM, ONE CHANNEL DRIVEN.



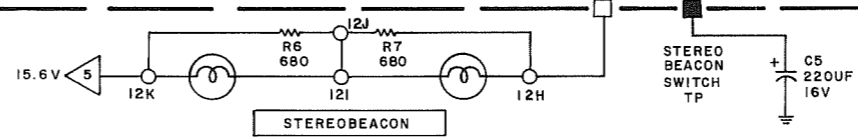
MULTIPLEX PB4083-2517944

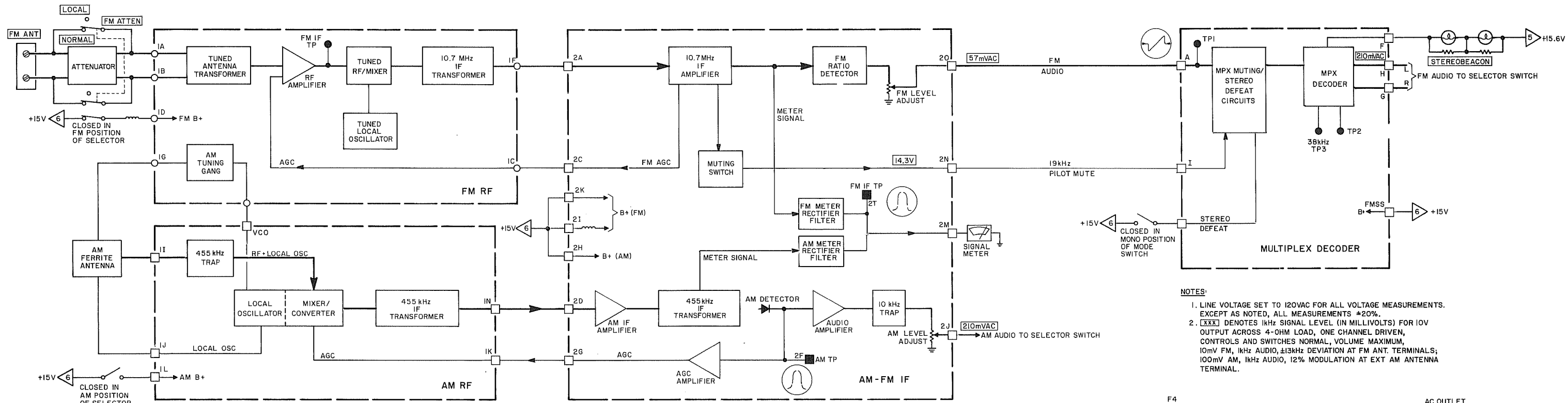


- NOTES:
1. LINE VOLTAGES SET TO 120VAC FOR ALL VOLTAGE MEASUREMENTS.
 2. ALL VOLTAGES ARE $\pm 20\%$.
 3. UNLESS OTHERWISE NOTED, ALL VOLTAGES ARE DC MEASURED WITH A DC VTVM TO CHASSIS AND DENOTED AS FOLLOWS:
 NS [XXX] NO SIGNAL (ANTENNA TERMINALS SHORTED).
 FM [XXX] 1mV FM MONO SIGNAL AT 98MHz, ± 75 kHz DEVIATION 400Hz AT [FM ANT]
 S [XXX] 1mV FM STEREO SIGNAL AT 98MHz, ± 75 kHz DEVIATION 10% PILOT (19kHz), 90% 400kHz AT [FM ANT]
 4. (U) DENOTES PARTS MOUNTED ON UNDERSIDE OF BOARD.



STEREO SWITCH





NOTES:
 1. LINE VOLTAGE SET TO 120VAC FOR ALL VOLTAGE MEASUREMENTS. EXCEPT AS NOTED, ALL MEASUREMENTS $\pm 20\%$.
 2. [XXX] DENOTES 1kHz SIGNAL LEVEL (IN MILLIVOLTS) FOR 10V OUTPUT ACROSS 4-OHM LOAD, ONE CHANNEL DRIVEN, CONTROLS AND SWITCHES NORMAL, VOLUME MAXIMUM, 10mV FM, 1kHz AUDIO, ± 13 kHz DEVIATION AT FM ANT. TERMINALS; 100mV AM, 1kHz AUDIO, 12% MODULATION AT EXT AM ANTENNA TERMINAL.

