

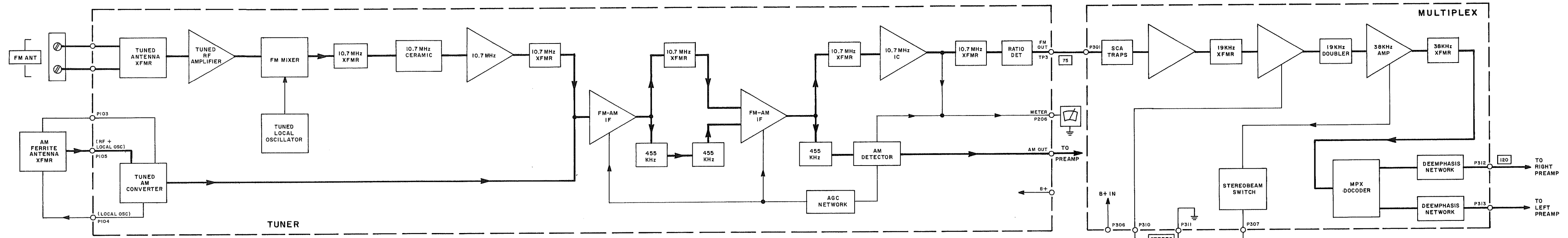
FISHER 28 and 29 FM-AM COMPACT
SERVICE INFORMATION

The attached diagrams will provide information for servicing The Fisher 28 and 29 electronics until complete service manuals are available.

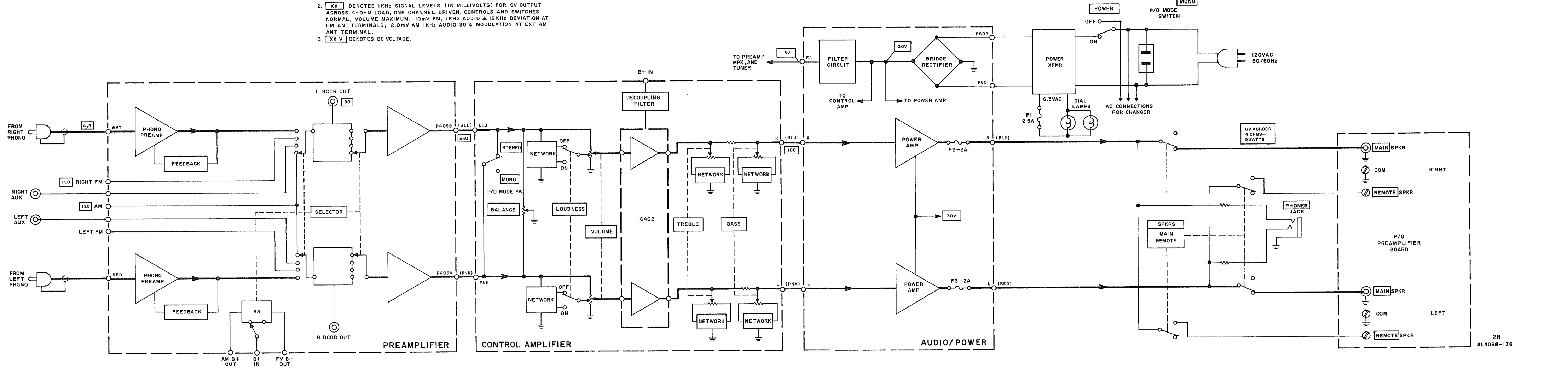
The 28/29 include a BSR model C141B automatic record changer. The service manual for this changer is available from Fisher Radio or from BSR.

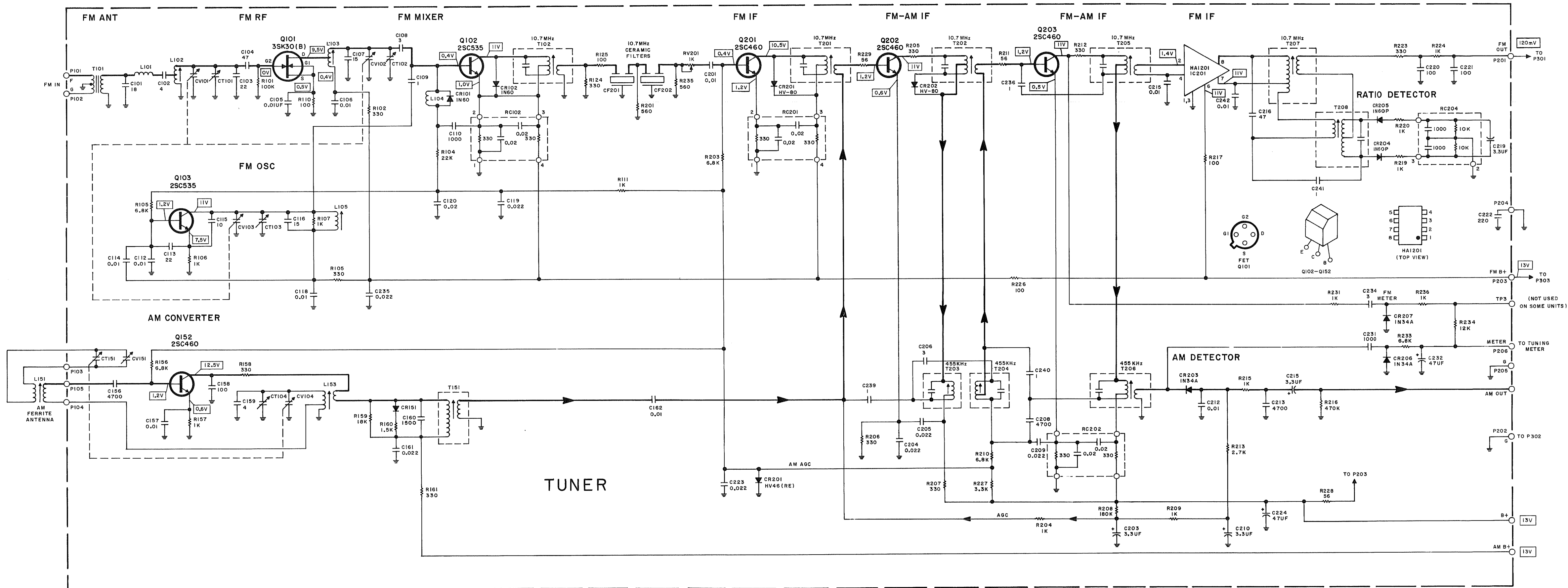
The 28/29 include a Pickering V15/AT2 pickup.

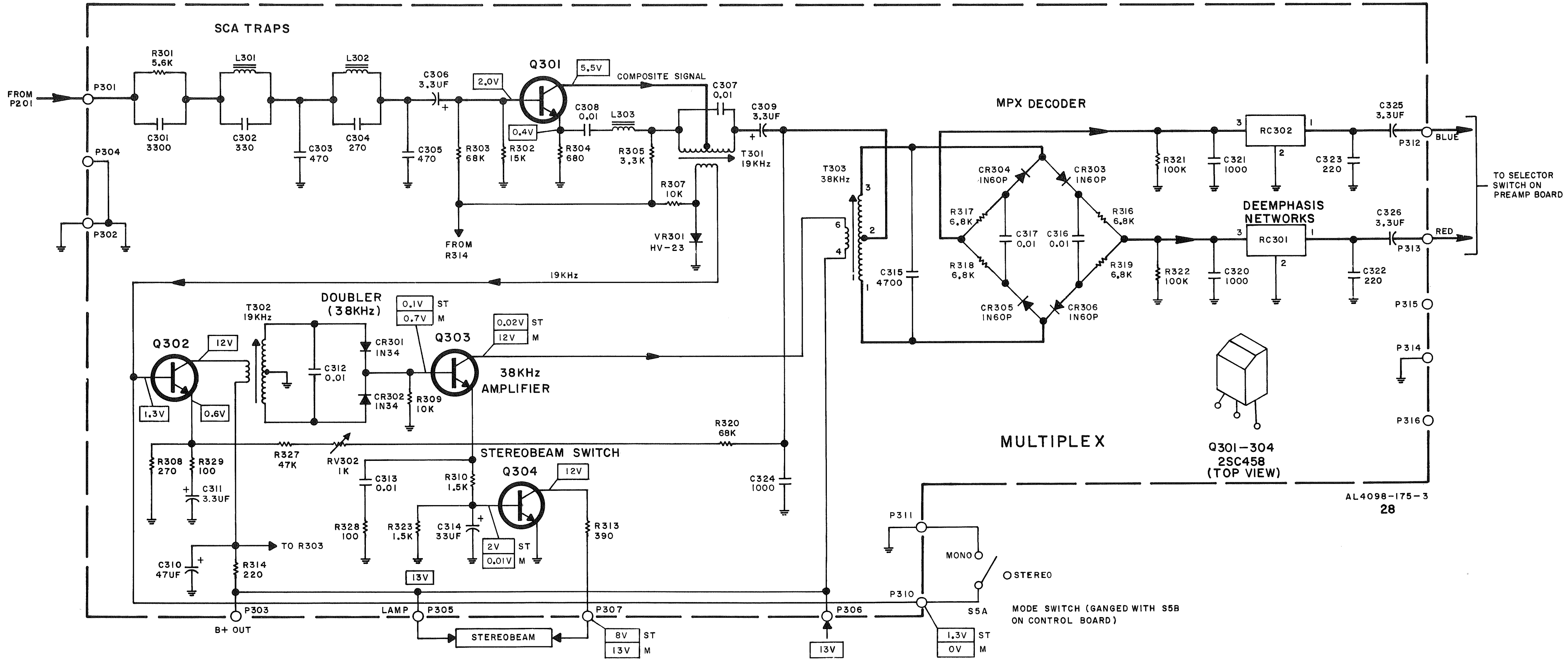


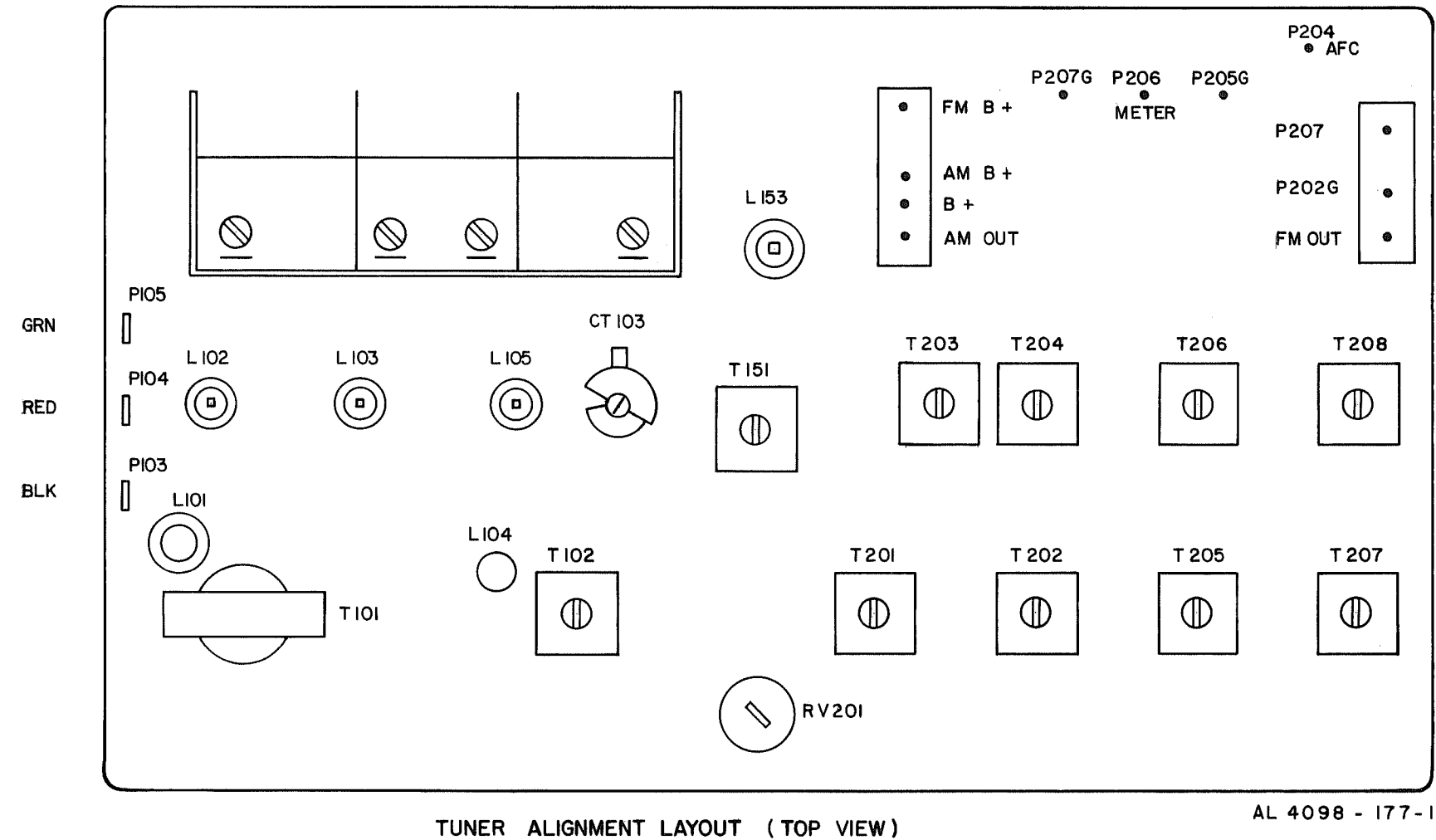


NOTES:
 1. LINE VOLTAGE SET TO 120VAC FOR ALL VOLTAGE MEASUREMENTS. EXCEPT AS NOTED, ALL MEASUREMENTS $\pm 20\%$.
 2. [XX] DENOTES 1KHz SIGNAL LEVELS (IN MILLIVOLTS) FOR 6V OUTPUT ACROSS 4-OHM LOAD, ONE CHANNEL DRIVEN, CONTROLS AND SWITCHES NORMAL, VOLUME MAXIMUM. 10mV FM, 1KHz AUDIO ± 19 KHz DEVIATION AT FM ANT TERMINALS; 2.0mV AM 1KHz AUDIO 30% MODULATION AT EXT AM ANT TERMINAL.
 3. [XX V] DENOTES DC VOLTAGE.



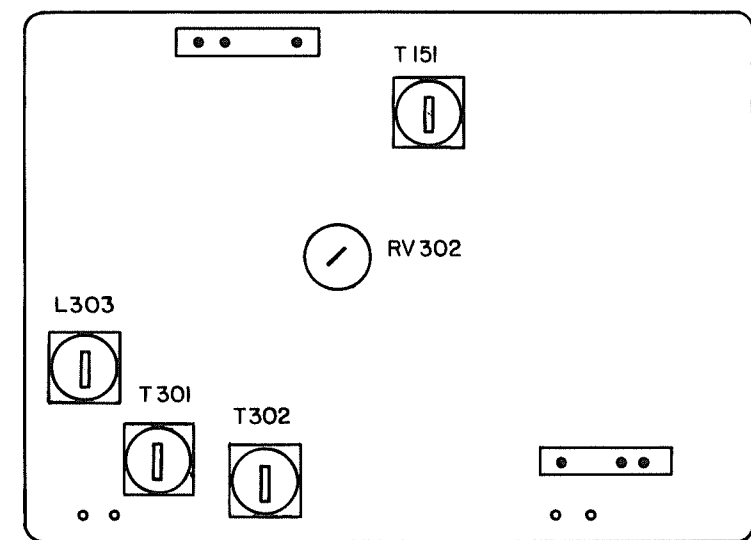






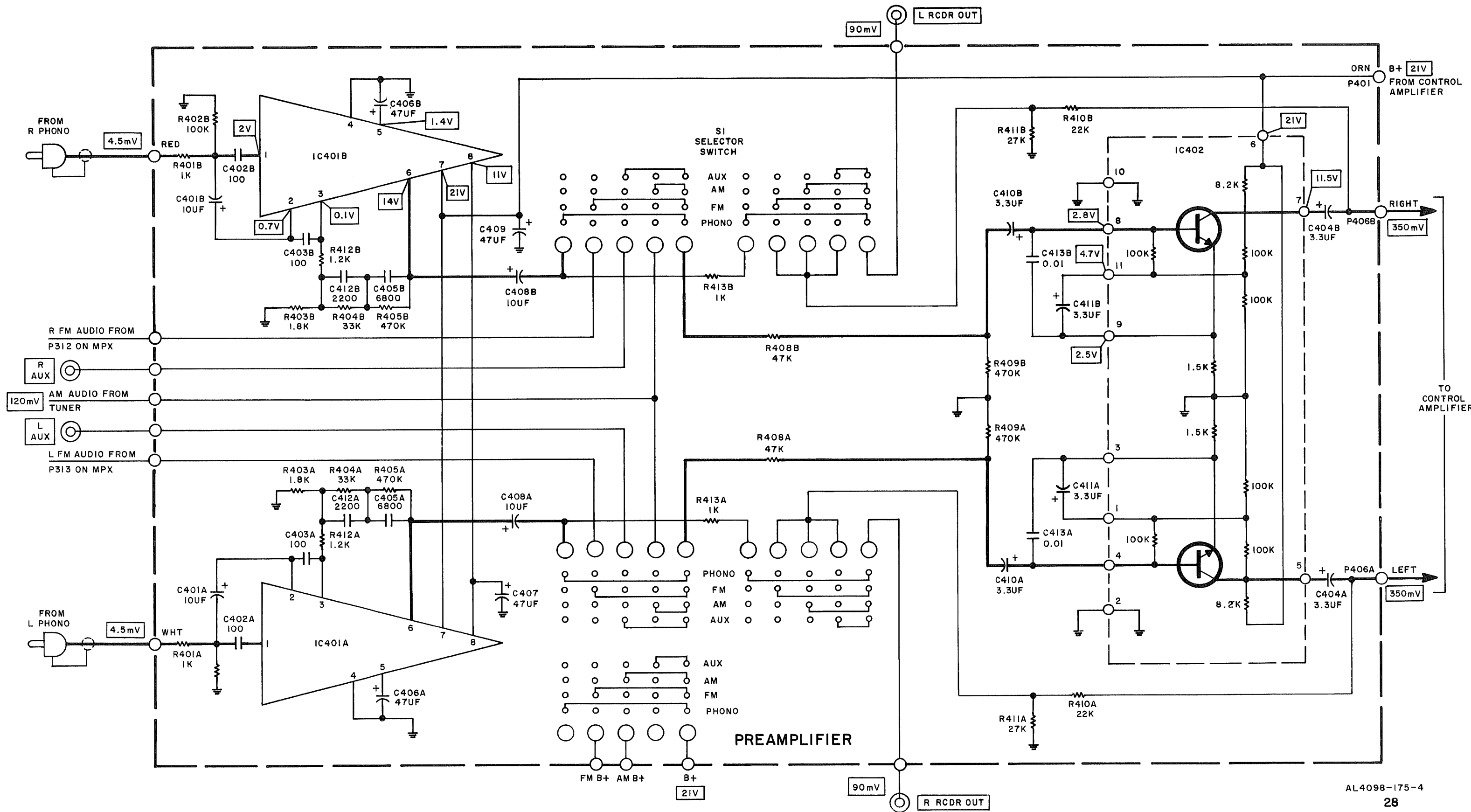
TUNER ALIGNMENT LAYOUT (TOP VIEW)

AL 4098 - 177-1



MPX ALIGNMENT LAYOUT (TOP VIEW)

AL 4098 - 177-2



AL4098-175-4

