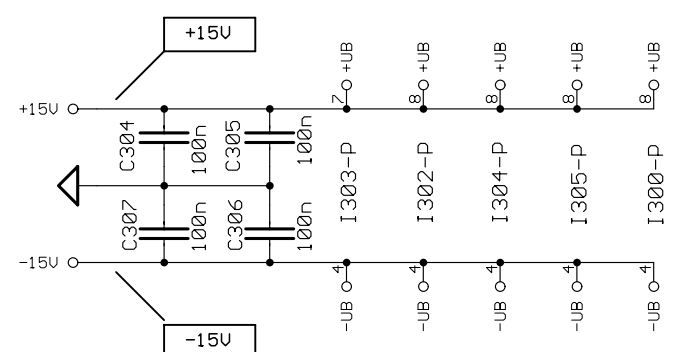
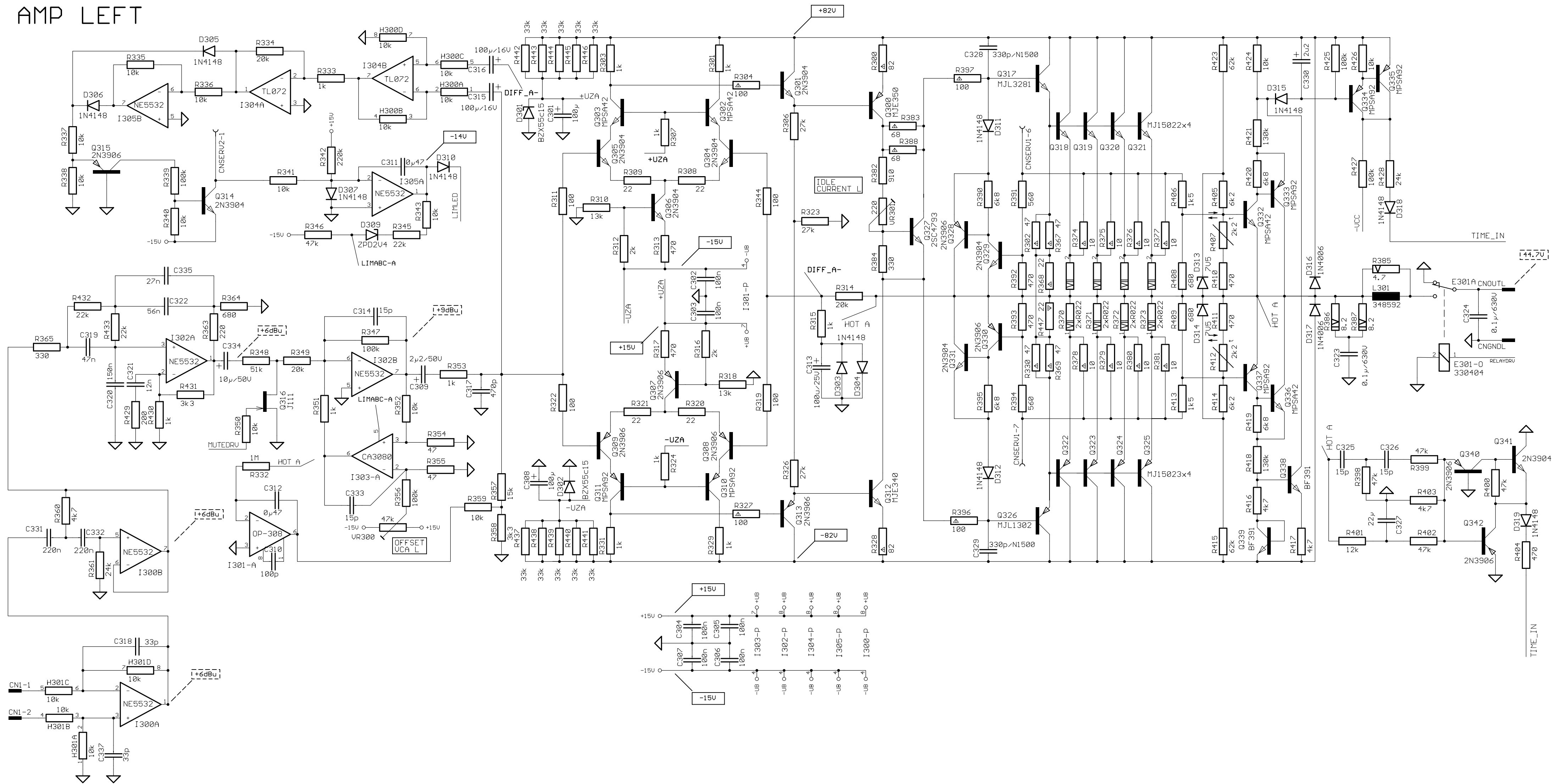
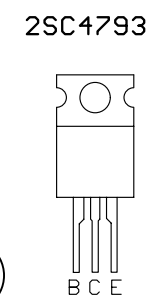
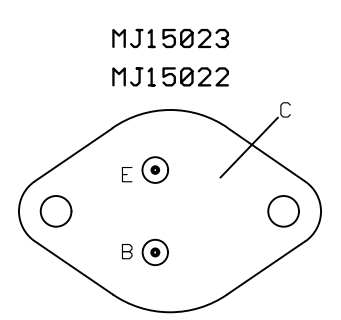
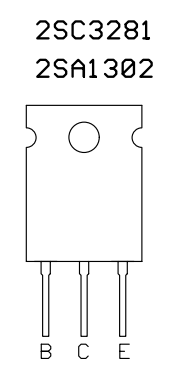
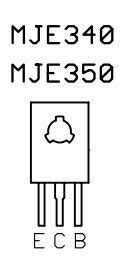
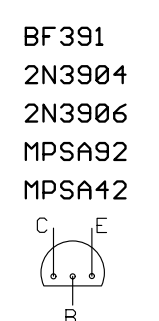
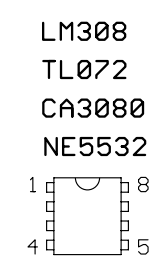
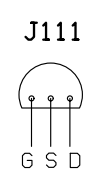


# AMP LEFT



- POWER RESISTOR 5 WATT
- POWER RESISTOR 4 WATT
- DC VOLTAGE MEASURED WITH VOLTMETER 100kOHM/V
- AC VOLTAGE 1000 HZ, MEASURED WITH UTVM
- SAFETY COMPONENT, FLAMEPROOF RESISTOR (MUST BE REPLACED BY ORIGINAL PART)



ALTERATIONS RESERVED!

ISSUE	REVISION	DATE	NAME
K	157/99	13.12	Lang
I	145/99	24.11	Lang
H	85/99	13.07	Lang
G	18/99	02.99	csc
F	6/99	22.01	Stangl
E	72/97	11.97	Lang
D	62/97	10.97	Taffner
C	57/97	09.97	Lang
B	47/97	09.97	Lang
A	NULLSERIE	09.97	Lang

DATE	NAME
13.12.1999	10:48:34
03.07.2000	10:21:57
06.97	Taffner
	APP'D

<b>84169H</b>		Power Amplifier Left
CIRCUIT DIAGRAM		1/3
<b>354 011</b>		2-
PM1000/1600/PSX1000/1600		

EVI AUDIO