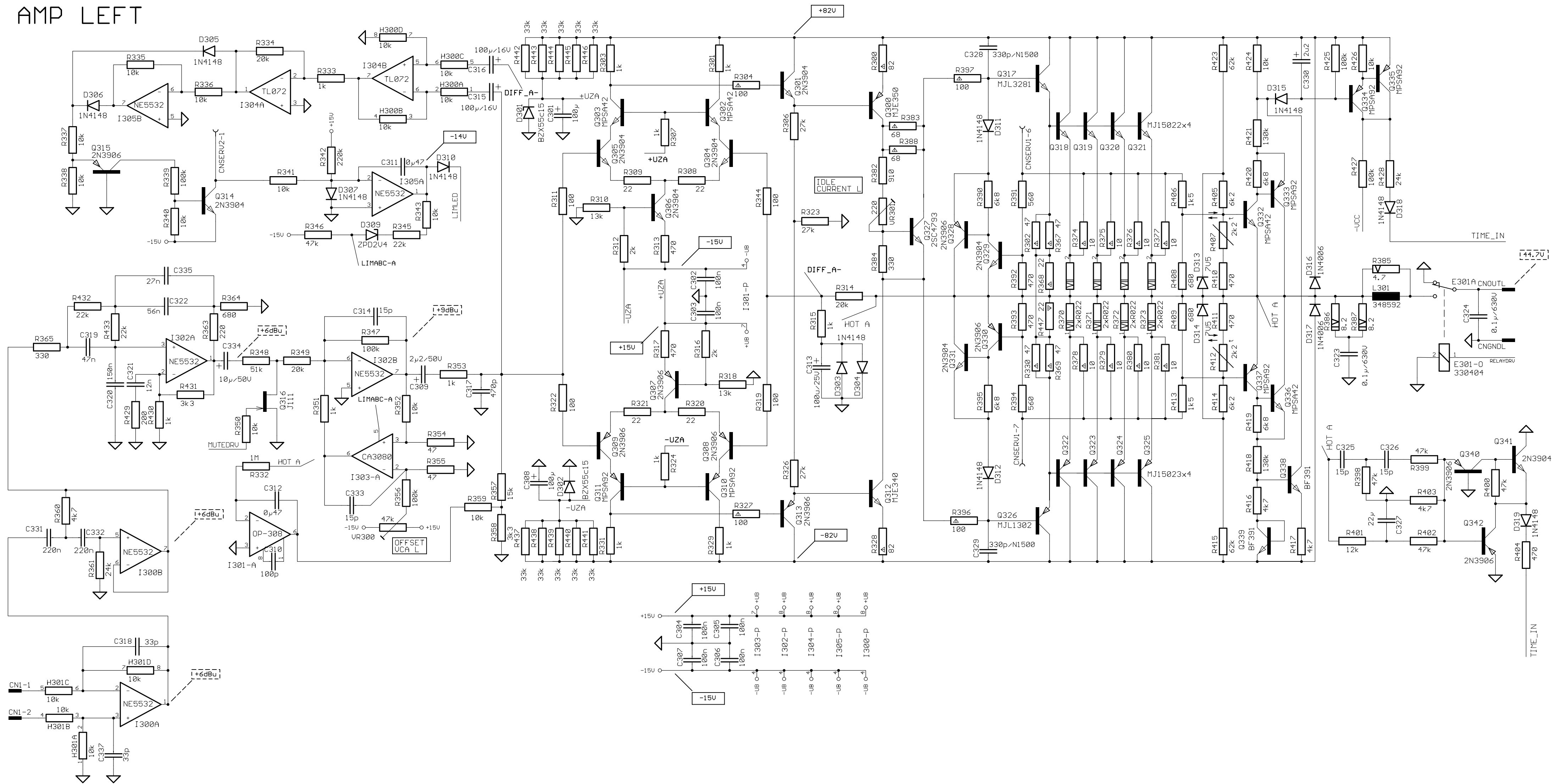
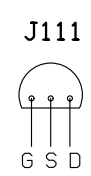


AMP LEFT

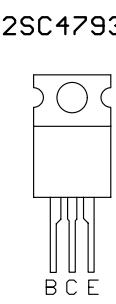
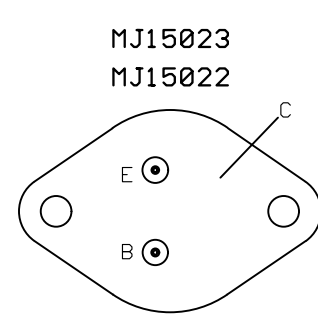
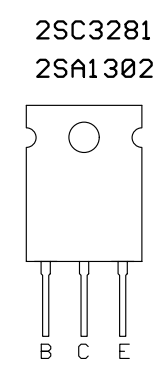
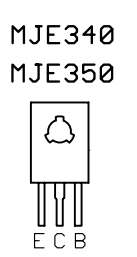


- POWER RESISTOR 5 WATT
- POWER RESISTOR 4 WATT
- DC VOLTAGE MEASURED WITH VOLTMETER 100kOHM/V
- AC VOLTAGE 1000 HZ, MEASURED WITH UTVM
- SAFETY COMPONENT, FLAMEPROOF RESISTOR (MUST BE REPLACED BY ORIGINAL PART)



- LM308
- TL072
- CA3080
- NE5532

- BF391
- 2N3904
- 2N3906
- MPSA92
- MPSA42



ALTERATIONS RESERVED!

| ISSUE | REVISION | DATE | NAME |
|-------|-----------|-------|---------|
| K | 157/99 | 13.12 | Lang |
| I | 145/99 | 24.11 | Lang |
| H | 85/99 | 13.07 | Lang |
| G | 18/99 | 02.99 | csc |
| F | 6/99 | 22.01 | Stangl |
| E | 72/97 | 11.97 | Lang |
| D | 62/97 | 10.97 | Taffner |
| C | 57/97 | 09.97 | Lang |
| B | 47/97 | 09.97 | Lang |
| A | NULLSERIE | 09.97 | Lang |

84169H
Power Amplifier Left

CIRCUIT DIAGRAM

354 011

PM1000/1600/PSX1000/1600

| DATE | NAME |
|---------------------|---------|
| 13.12.1999 10:48:34 | |
| 03.07.2000 10:21:57 | |
| 06.97 | Taffner |
| | APP'D |