

**DPA 4245 / DPA 4260 POWER AMPLIFIER**

**MEASUREMENT SPECIFICATIONS: DPA power amplifiers**

**complete appliance**

Names of the individual printed board assemblies and their corresponding EDP numbers:

EDP numbers of the main boards	
DPA 4245	DPA 4260
84 188	84 189

Board section	Index
Main PCB	1
Supply PCB	4
LED PCB	3

**Input-PCB (index 1) and Output-PCB (Index 2) are located on the printed board assembly 81340.**

Measuring conditions, unless differently specified:

- measuring tolerance: X = 1.5dB
- measuring frequency: f = 1kHz
- all stated levels refer to: U = 775mV (0dBu)
- level controls are set to their clockwise margin:
- XLR connector pin-assignment:
  - PIN 1 = GROUND/SHIELD
  - PIN 2 = + INPUT
  - PIN 3 = - INPUT
- source impedance for the induction via the XLR-type connector: R(Q) = 50 ohms
- the AMPLIFIER PCB is provided with service connectors:

CNS1		CNS2		CNRC	
PIN	Assigned to	PIN	Assigned to	PIN	Assigned to
1	-Vcc	1	LIM A Switch	1	LIM Out A
2	BIAS +A	2	-15V	2	LIM Out B
3	BIAS -A	3	LIM B Switch	3	Standby via RC
4	FAN Voltage	4	+15V	4	Standby LED
5	+Vcc	5	AGND	5	-Vss
6	BIAS +B	6	Speaker Out A	6	+Vss
7	BIAS -B	7	Relay/Protect	7	n.c.
8	Temp Heatsink	8	Speaker Out B	8	n.c.

- Pin-assignment of the power amplifiers output connector:

PIN	Function	Channel
1	+ pole of the 100V output and + pole of the 25V output	B
2	- pole of the 25V output and + pole of the 70V output	
3	- pole of the 70V output and - pole of the 100V output	
4	+ pole Direct Output	
5	- pole Direct Output	
6,7	not assigned	-
8	- pole Direct Output	A
9	+ pole Direct Output	
10	- pole of the 70V output and - pole of the 100V output	
11	- pole of the 25V output and + pole of the 70V output	
12	+ pole of the 100V output and + pole of the 25V output	

Pin-assignment of the Power Remote connector: PIN 1 control voltage -  
 PIN 2 control voltage +

Nominal load impedances

	100V output	70V output	25V output
DPA 4245	28,5Ω	14Ω	1,8Ω
DPA 4260	20Ω	9,8Ω	1,25Ω

**1. Operation voltage:**  $U(B) = 230V / 50Hz \dots 60Hz$

**2. Deviation limit of the operation voltage:** -30% .... +10%

**3. Power consumption (both channels driven via the 100V output,  $f = 1kHz$ )**

	DPA 4245	DPA 4260
idling condition power consumption	30-60W	40-80W
nominal power consumption (nominal load)	1580W	1950W
standard power consumption (nominal load)	470W	620W
maximum power consumption (nominal load)	1680W	2180W
power consumption at 1/8 of the maximum output capacity	600W	870W

#### 4. Settings

##### 4.1. IDLING CURRENT ADJUSTMENT

Connect the DC-volt meter at the BIAS measuring points (refer to service connectors) and adjust the idling current via the trim potentiometer VR101/VR301 (located on the Main PCB). Adjust both channels of the power amplifier A&B to  $U(DC) = 7.5mV$ . Adjusting the idling current has to be performed at normal room temperature. In case the power amplifier had previously been operated, it has to be given several hours to regain its normal temperature.

##### 4.2. VCA - OFFSET

Rhythmically open and short-circuit CNS2.1 and CNS2.2 for channel A as well as CNS2.3 and CNS2.2 for channel B. The switches are located on the Main PCB. Using VR100 or VR300 respectively to adjust the power amplifier's **Direct Output** to its minimum offset (with oscilloscope to minimal peak value or to the audible minimal volume of the interfering pulse).

#### 5. Functioning test

##### 5.1. OUTPUT - offset voltage

DC-voltage measuring at the **Direct Output A/B** with  $U(DC) = 10mV$ .

##### 5.2. LIMITER

###### 5.2.1. Voltage limiter

Both channels separately driven without load via the Direct Output with a 1 kHz signal up to  $U(A) = 38V$ . Increase the input voltage by 10 dB. The LIMITER LED lights and the output voltage ascents by approx. 1.5 dB or 2.5 dB respectively to approx. 44V or 52V, respectively. The distortion rate of the limited signal should not ascent above 0.8%.

###### 5.2.2. Distortion limiter

Both channels separately driven via the Direct Output at 2Ω with a 1 kHz signal up to  $U(A) = 20V$  or  $U(A) = 25V$ , respectively. Increase the input voltage by 5 dB. The LIMITER LED lights and the output voltage ascents by approx. 1.5dB to approx. 25V or 29V respectively and it is slightly clipping. The distortion rate of the limited signal is approx. THD = 2 ... 3%. Further increasing the input signal by +10dB should not result in a remarkably higher clipping of the output signal.

### 5.2.3. Attack- and release times

*separately testing the power amplifier channels is mandatory:* Test has to be performed at the Direct Output without load.

- 1.) Drive the power amplifier's input with a burst signal ( $f = 1\text{kHz}$ , 10 cycles, rate : 3 sec.) and  $U(E) = +10\text{dBu}$ .
- 2.) Monitor the output signal via oscilloscope. After 1 - 2 signal periods, the limiter has reduced the major distortion to a minor residual distortion ( $\text{THD} \leq 1\%$ )

attack time: approx. 2 ms                      release time: approx. 130 ms

### 5.3 POWER-ON DELAY

Feed the test signal to the power amplifier input. Switch the power amplifier ON using the "Power On" switch. Approximately 2 seconds after pressing the "Power On" switch, the signal is present at the output.

### 5.4 POWER REMOTE

Switch the power of the appliance OFF. Feed a control voltage of +24V to the Power Remote input. The power amplifier has to start operation and after disconnecting the control voltage has to go off again.

### 5.5 FAN CONTROL

Upon powering-on the power amplifier, the fans will run for approximately 2 seconds and stop when the power amplifier has re-gained its "normal" temperature. In idling condition (power-on, no signal present) the fans are switched between the SLOW and OFF mode, depending on the heat sink's temperature. Connecting the CNS1.8 via a  $5\text{k}\Omega$  resistor to +15V lets the fans run in SLOW mode. A FAN VOLTAGE of 16.8V DC can be measured between pin CNS2.4 and pin CNS1.4. When disconnecting CNS5, the fans will run in FAST mode. A FAN VOLTAGE of 28V DC is measured between pin CNS2.4 and pin CNS1.4.

### 5.6 SOAR-PROTECTION TEST

Channels separately driven up to 0dB via the Direct-Output, terminated with  $4\Omega$ . Parallel connect an  $1\Omega$  resistor. The protection circuit reacts and tries continuously to re-start! The protect-LED lights.

### 5.7 SHORT-CIRCUIT CURRENT-LIMITING TEST

*separately testing the power amplifier channels without load is mandatory:*

- drive the channel with a burst signal ( $f = 1\text{kHz}$ , 1-3 cycles, rate  $\approx 1$  sec.), at the Direct Output with  $U(E) = 0\text{dBu}$ .
- connect a load resistor of  $1\Omega$ .
- the short-circuit current-limiter limits the output voltage at the load resistor symmetrically (monitor via oscilloscope!) to a peak voltage value of 15V or 20V respectively (approx. 15A or 20A respectively maximum peak output current).

### 5.8 DC-voltage and HF-Protection Circuit

- Testing the protection circuitry against the occurrence of DC-voltage and HF at the output is only possible directly via the Main PCB when it is not installed in the appliance.

### 5.9 INDICATORS TEST

Feed a 1kHz sine signal while slowly increasing the level. At approx. -30dBu the SIGNAL LEDs will light and at approx. +1.5dBu the Limit LED will light.



## 11. Crosstalk

It is necessary to align the output transformers when testing the crosstalk. Therefore, turn the transformer outputs by 90° to each other and both by 45° to the rear panel. Terminate the 100V-outputs with nominal load and feed a 1kHz signal with -10dBu to the B-channel. Measure the crosstalk at the 100V output of the A-channel using a selective band pass filter and suitable measuring equipment. Turn the upper transformer for minimal reading. Apply a 1kHz signal with -10dBu at the A-channel and measure the crosstalk at the B-channel. Crosstalk attenuation on both channels has to at least  $\geq 80\text{dB}$ .

## 12. Noise interference

- U(F) = external voltage un-weighted with B = 22 Hz ... 22 kHz, effective value (IEC 268-1)
- U(G) = noise voltage, frequency-weighting filter according to CCIR-468-3, quasi peak weighted (IEC 268-1)
- U(A) = interference voltage A-weighted, dB(A), effective value (IEC 268-1)
- Signal-to-noise ratio referenced to the maximum output voltage at nominal load, A-weighted
- All inputs have to be terminated with 50Ω each; during the noise interference measurement, the outputs have to be without load

Power amplifier	Output	U(F) dBu	U(G) dBu	U(A) dBu	IN(A) dBu	S/N-R. dB
LEVEL control up						
DPA 4245, 4260	100V	-55	-45	-57	-102	100
DPA 4245, 4260	70V	-58	-47	-60	-102	100
DPA 4245, 4260	25V	-68	-56	-70	-102	100
DPA 4245, 4260	Direct	-64	-52	-66	-102	100
LEVEL control down						
DPA 4245, 4260	100V	-57	-47	-59	-	-
DPA 4245, 4260	70V	-59	-50	-61	-	-
DPA 4245, 4260	25V	-70	-58	-72	-	-
DPA 4245, 4260	Direct	-66	-54	-68	-	-

## 13. Settings when shipped

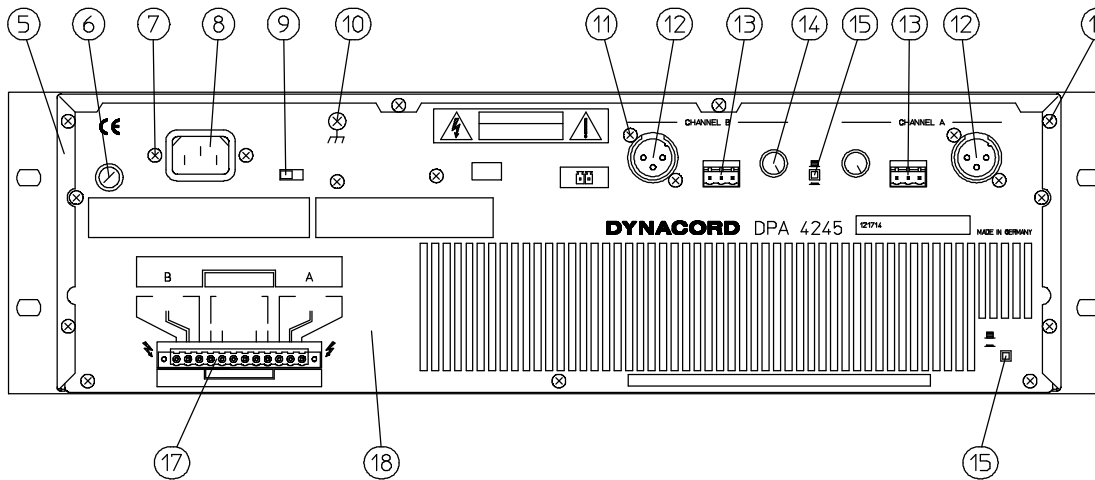
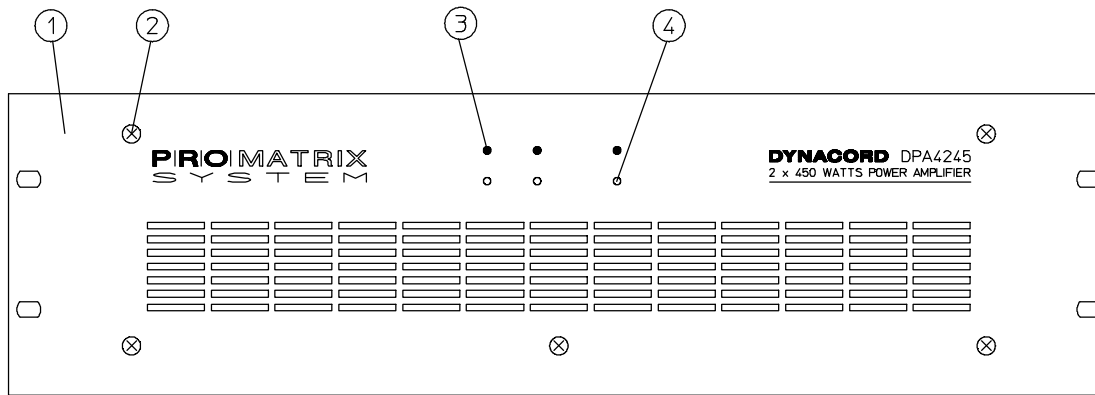
*BRIDGED MODE* switch set to *NORMAL*.

*INPUT ROUTING* switch set to *DUAL/STEREO*.

*LEVEL* control all the way right.

## 14. Dimensions and Weight

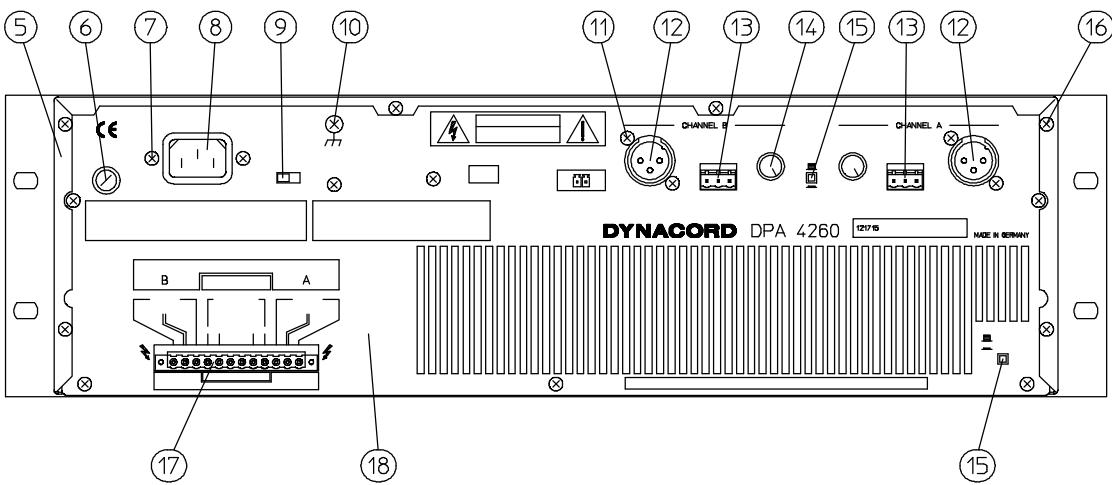
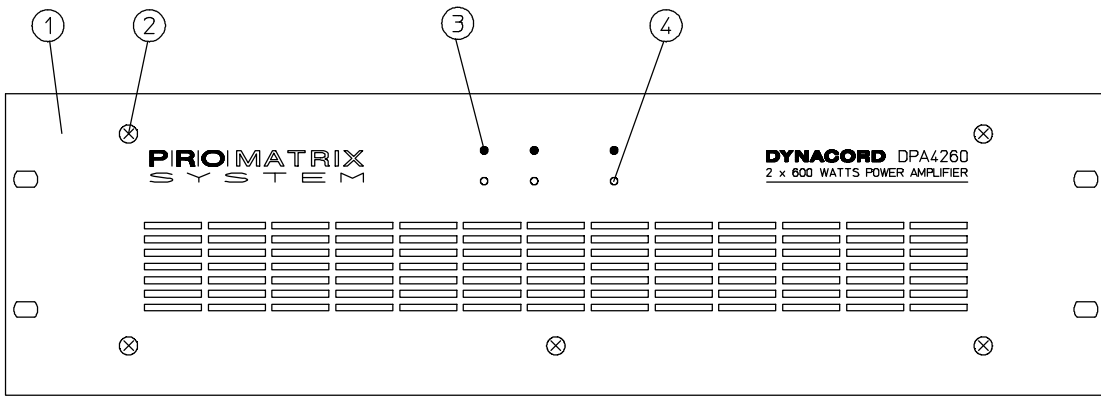
Power amplifier	Weight	Dimensions in mm
DPA 4245	20.5kg	483 x 132.5 x 385.5
DPA 4260	22.5kg	483 x 132.5 x 385.5



POS.	DESCRIPTION	PART.NO.
1	FRONT PANEL	355 873
2	SCREW M4x8	355 107
3	LED RED Ø3MM	354 003
4	LED GREEN Ø3MM	354 004
5	COVER	355 915
6	FUSE 8A SLOW BLOW	332 065
	FUSE-HOLDER	328 390
	FUSE-CARRIER	328 391
7	SCREW M3x8	335 203
	NUT M3	336 214
8	MAINS CONNECTOR	338 835
	POWER CABLE	300 425
9	SLIDE SWITCH	338 886
10	TAPPING SCREW 3.9x9.5	304 251
11	SCREW 30x8	344 229
12	XLR CONNECTOR (FEMALE)	351 815
13	3-PIN-EURO-STYLE	354 692
14	KNOB Ø11	355 449
	POTI 10K	343 250
15	PUSH SWITCH	344 037
16	SCREW M3x6	334 989
17	12-POLE-CONNECTOR	354 177
18	REAR PANEL	355 874

Ohne unsere Genehmigung darf diese Zeichnung weder vervielfältigt, nach dritten Personen oder anderen Firmen zugänglich gemacht werden (siehe einschlägige Gesetze)

Ausgabe				Änderung		Tag	Name	SERVICE-INFORMATION	Maßstab
1998	Tag	Name							
Bearb.	10.11	O. Kaiser							
Gepr.									
Stand	10.11	O. Kaiser							
<b>EM AUDIO</b>				356 281					
<b>DYNACORD</b>				DPA 4245		3-			

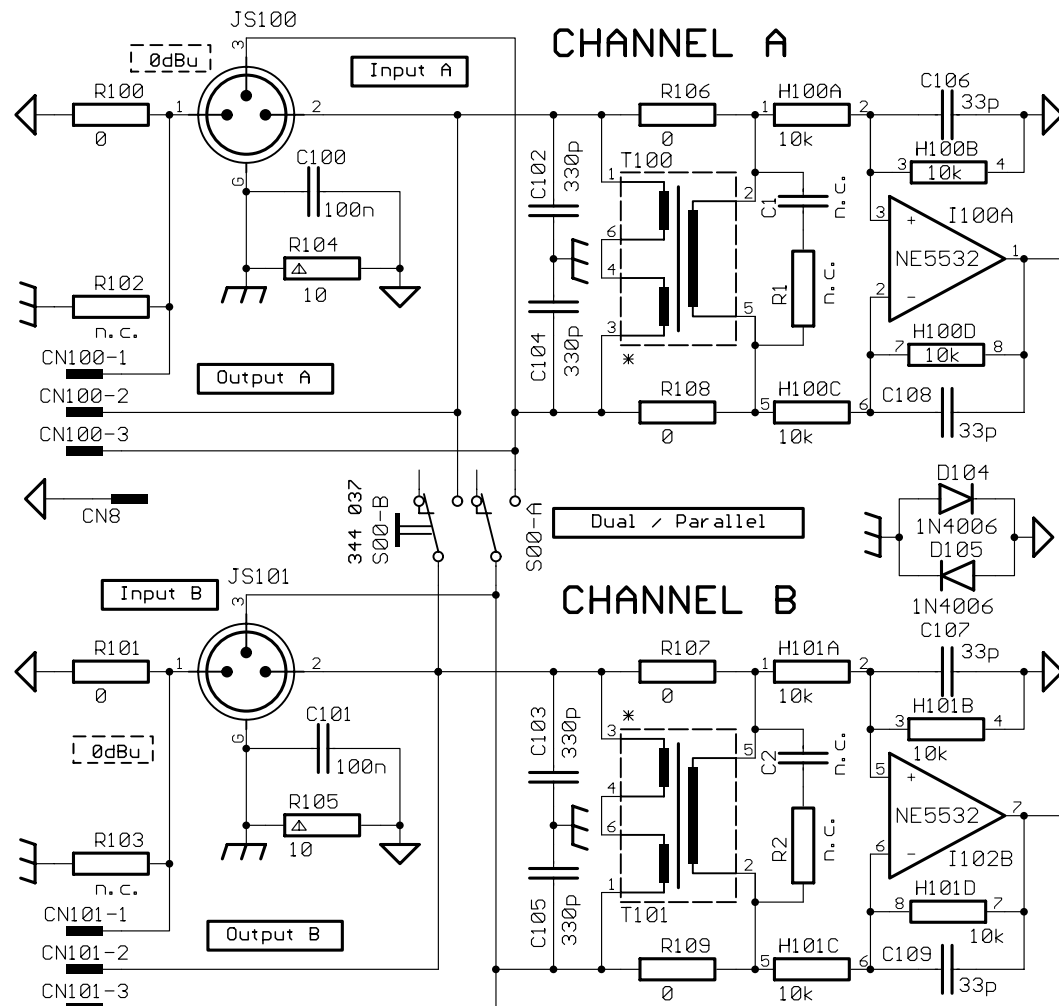


POS.	DESCRIPTION	PART.NO.
1	FRONT PANEL	355 913
2	SCREW M4x8	355 107
3	LED RED Ø3MM	354 003
4	LED GREEN Ø3MM	354 004
5	COVER	355 915
6	FUSE 10A SLOW BLOW	302 565
	FUSE-HOLDER	328 390
	FUSE-CARRIER	328 391
7	SCREW M3x8	335 203
	NUT M3	336 214
8	MAINS CONNECTOR	338 835
	POWER CABLE	300 425
9	SLIDE SWITCH	338 886
10	TAPPING SCREW 3.9x9.5	304 251
11	SCREW 30x8	344 229
12	XLR CONNECTOR (FEMALE)	351 815
13	3-PIN-EURO-STYLE	354 692
14	KNOB Ø11	355 449
	POTI 10K	343 250
15	PUSH SWITCH	344 037
16	SCREW M3x6	334 989
17	12-POLE-CONNECTOR	354 177
18	REAR PANEL	355 914

Ohne unsere Genehmigung darf diese Zeichnung weder vervielfältigt, noch dritten Personen oder anderen Firmen zugänglich gemacht werden (siehe einschlägige Gesetze)

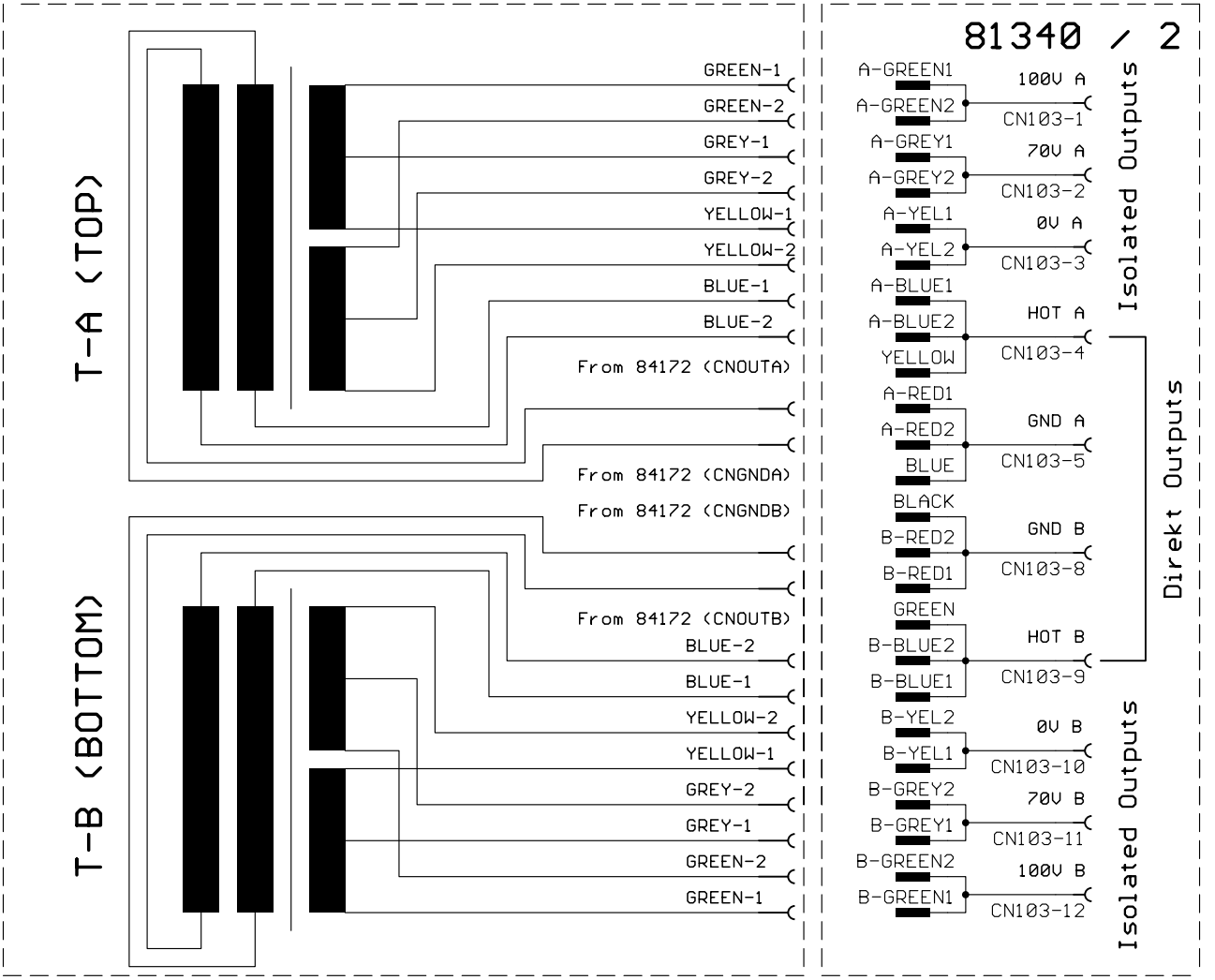
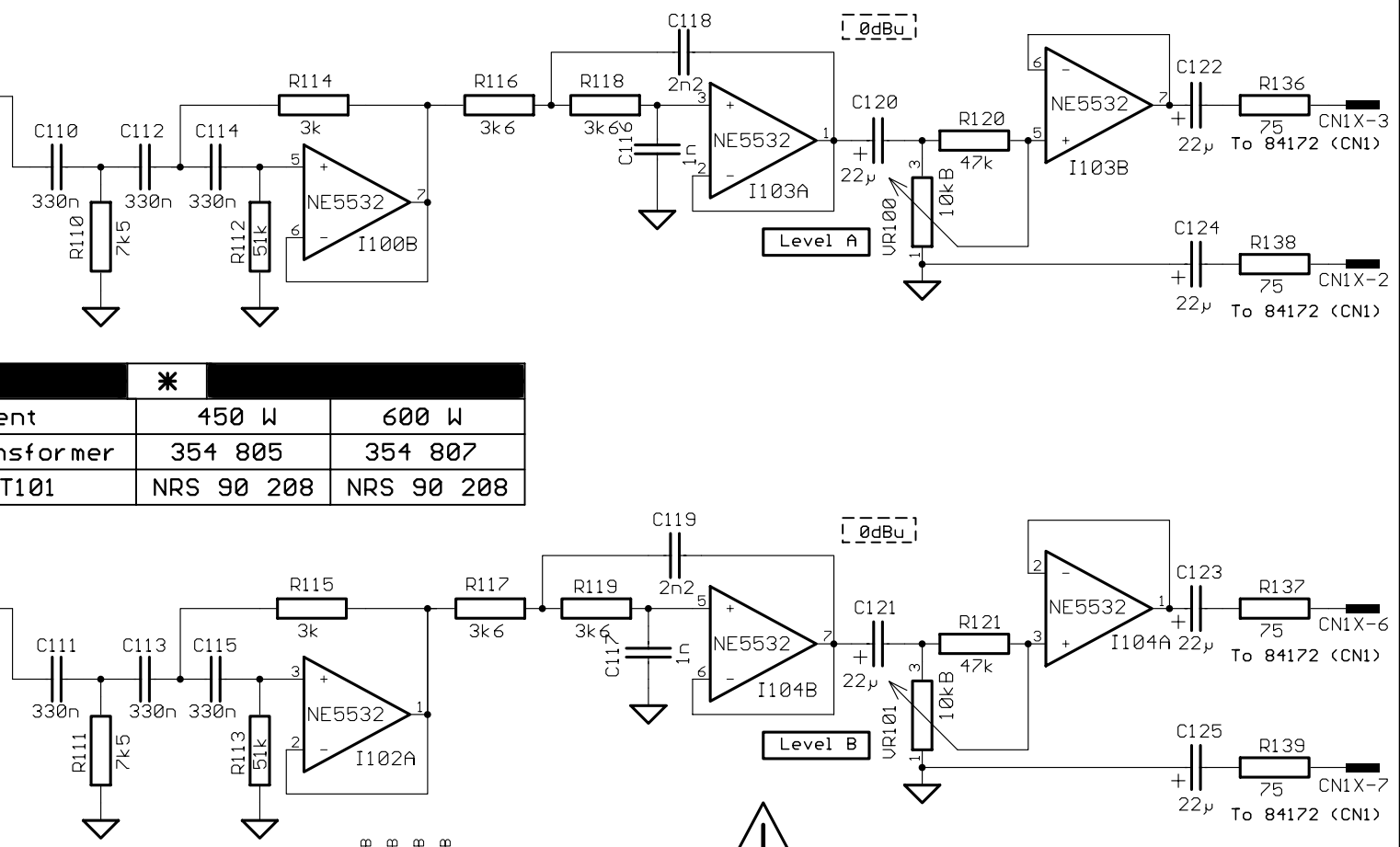
				1998	Tag	Name			
				Bearb.	10.11	O. Kaiser		SERVICE-INFORMATION	
				Gepr.					
				Stand	10.11.	O. Kaiser			
						<b>EM</b> AUDIO		356 282	
						<b>DYNACORD</b>		DPA 4260	
								1:2	
								3-	



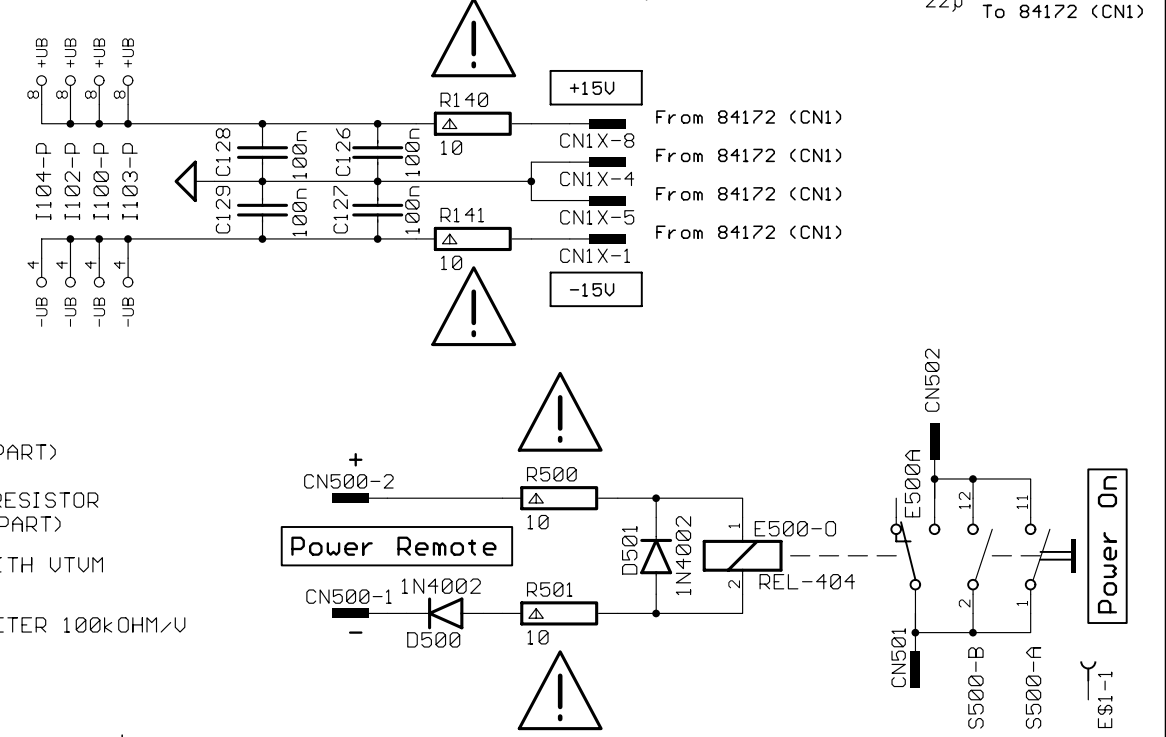
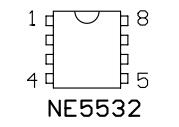


81340 / 1

Component	450 W	600 W
Output Transformer	354 805	354 807
T100 / T101	NRS 90 208	NRS 90 208



- SAFETY COMPONENT (MUST BE REPLACED BY ORIGINAL PART)
- SAFETY COMPONENT, FLAMEPROOF RESISTOR (MUST BE REPLACED BY ORIGINAL PART)
- AC VOLTAGE 1000 HZ, MEASURED WITH UTUM
- DC VOLTAGE MEASURED WITH VOLT METER 100kOHM/V



ALTERATIONS RESERVED!

Last modified: 04.11.1998 15:28:32				81340D	
Last plotted: 16.05.2001 12:30:46					
DATE		NAME		CIRCUIT DIAGRAM	
DSG'D 06.98		Lang			
CHK'D					
APP'D				1/1	
EVI AUDIO				354 776	
				DPA 4245 / 4260	
ISSUE	REVISION	DATE	NAME	3-	



## Ersatzteilliste - Bill of Materials

121714		DPA 4245 2X450W VERST.	
Pos. Nr.	Best. Nr.		
Ref. No.	Part No.	Bezeichnung	Description

Zubehör	Accessories & packing material
---------	--------------------------------

355871	BEDIENUNGSANL. DPA4245/426	user manual DPA4245/4260
300425	KABEL-NETZ 2.0 M 10A	power cable Europe
354179	KABELGEHÄUSE 12POL KGS-MS	connector housing
354178	STECKERLEISTE 12POL IC2.5/	connector male 12-pin
354885	BUCHSENLEISTE 2POL	connector female 2-pole
354691	BUCHSENLEISTE 3POL	connector female 3-pole
332652	KRT. L 2400 612X570X270	carton outer
347526	KRT. IN L 2400 502X465X155	carton inner
303715	STYROPOR-ECK 150X150X150X50	styrofoam #2
348018	SCHUTZFOLIE 1200X800X0,05	poly bag
327495	STYROPOR-ECK 150X150X100X50	styrofoam #1
345438	SCHUTZHÜLLE 165X345X0,05	plastic bag
349988	FALTEINLAGE 750X280	carton filler
349989	FALTEINLAGE 1864X150	carton filler

Mechanische Teile	Cabinet material
-------------------	------------------

G0010	343270	GLRI GBPC 3504	rectifier GBPC-P 3504
	337059	KNOPF-TASTE 12X7 SW 3.3	push button black 12x7
	357958	DK 11 SW/WS/RT C 6FL	rotary knob
	348415	LÜFTER TYP FBA08A24H DC	fan dc 24V
	349693	KABEL-KONFEKT 4POL 0.670M	ribbon cable assy 4-way
	346790	KABEL-KONFEKT 8POL 0.300M	ribbon cable assy 8way
	349691	KABEL-KONFEKT 8POL 0.440M	ribbon cable assy 8way
	355873	FB.DPA4245 BED	front panel DPA4245
	355915	DEC.3HE DPA4245,4260	top cover
	354549	NT-RG.Q44/S900/CPS1 230V	power transformer 230V
	348805	WI-SO PTC K155 100GRAD	safety component PTC
	348341	FEDERLEISTE 3POL CE100-	connector female 3-pole
	354805	ÜT-RG.DPA4245 100V	output transformer 100V
	348341	FEDERLEISTE 3POL CE100-	connector female 3-pole

841888	PCBAR#DPA4245	pcb assy 84188
--------	---------------	----------------

CNAC1	343516	FL.STECKER 4.8/0.5	connector 4.8mm faston
CNAC2	343516	FL.STECKER 4.8/0.5	connector 4.8mm faston
CNGND	343516	FL.STECKER 4.8/0.5	connector 4.8mm faston
CNGN1	330269	FL.STECKER 6.3/0.8	connector 6.3mm faston
CN001	344862	MESSERLST. 8POL	connector male 8-pin
CN002	348334	STIFTLEISTE 3POL MLSS	connector male 3-pin
CN003	348334	STIFTLEISTE 3POL MLSS	connector male 3-pin
CN005	348334	STIFTLEISTE 3POL MLSS	connector male 3-pin
CN007	330269	FL.STECKER 6.3/0.8	connector 6.3mm faston
CN010	330269	FL.STECKER 6.3/0.8	connector 6.3mm faston
CN013	330269	FL.STECKER 6.3/0.8	connector 6.3mm faston
CN018	341937	MESSERLST. 4POL	connector male 4-pin
CN019	330269	FL.STECKER 6.3/0.8	connector 6.3mm faston

121714 DPA 4245 2X450W VERST.				
Pos. Nr.	Best. Nr.			
Ref. No.	Part No.	Bezeichnung	Description	
CN020	344862	MESSERLST. 8POL	connector male 8-pin	
CN08X	343516	FL.STECKER 4.8/0.5	connector 4.8mm faston	
CN18X	341937	MESSERLST. 4POL	connector male 4-pin	
CN20X	344862	MESSERLST. 8POL	connector male 8-pin	
C0001	342923	KO-FOL 0.220MF 63V 5%	cap mylar 220nF	
C0002	307445	KO-EL 10.000MF 35V	cap electrolytic 10uF/35V	
C0005	329021	KO-KER 0.10MF 100V 20%	cap ceramic 100nF	
C0006	329021	KO-KER 0.10MF 100V 20%	cap ceramic 100nF	
C0007	343530	KO-EL 47.000MF 50V	cap electrolytic 47uF/50V	
C0008	329021	KO-KER 0.10MF 100V 20%	cap ceramic 100nF	
C0011	351835	KO-EL 4700.000MF 100V 20%	cap electrolytic 4700uF/100	
C0012	351835	KO-EL 4700.000MF 100V 20%	cap electrolytic 4700uF/100	
C0013	351835	KO-EL 4700.000MF 100V 20%	cap electrolytic 4700uF/100	
C0014	351835	KO-EL 4700.000MF 100V 20%	cap electrolytic 4700uF/100	
C0015	341714	KO-SO 0.10MF 275V 20% K	safety cap 100nF/275V	
C0016	329021	KO-KER 0.10MF 100V 20%	cap ceramic 100nF	
C0017	329021	KO-KER 0.10MF 100V 20%	cap ceramic 100nF	
C0018	327366	KO-EL 4.700MF 50V BIP	cap bip electr. 4.7uF/50V	
C0019	329021	KO-KER 0.10MF 100V 20%	cap ceramic 100nF	
C0022	329021	KO-KER 0.10MF 100V 20%	cap ceramic 100nF	
C0023	329021	KO-KER 0.10MF 100V 20%	cap ceramic 100nF	
C0024	335935	KO-EL 2200.000MF 35V	cap electrolytic 2200uF/35V	
C0025	335935	KO-EL 2200.000MF 35V	cap electrolytic 2200uF/35V	
C0026	343530	KO-EL 47.000MF 50V	cap electrolytic 47uF/50V	
C0027	343530	KO-EL 47.000MF 50V	cap electrolytic 47uF/50V	
C0028	301524	KO-KER 47.0PF 500V 10%	cap ceramic 47pF	
C0029	301524	KO-KER 47.0PF 500V 10%	cap ceramic 47pF	
C0030	329021	KO-KER 0.10MF 100V 20%	cap ceramic 100nF	
C0031	329021	KO-KER 0.10MF 100V 20%	cap ceramic 100nF	
C0032	341714	KO-SO 0.10MF 275V 20% K	safety cap 100nF/275V	
C0100	301558	KO-KER 33.0PF 100V 2%	cap ceramic 33pF	
C0101	301558	KO-KER 33.0PF 100V 2%	cap ceramic 33pF	
C0102	301478	KO-EL 22.000MF 63V	cap electrolytic 22uF/63V	
C0103	335787	KO-KER 15.0PF 100V 2%	cap ceramic 15pF	
C0104	335787	KO-KER 15.0PF 100V 2%	cap ceramic 15pF	
C0105	301458	KO-EL 2.200MF 63V	cap electrolytic 2.2uF/63V	
C0106	327390	KO-FOL 470.000PF 100V 5%	cap mylar 470pF	
C0107	340988	KO-FOL 0.470MF 63V 5%	cap mylar 470nF	
C0108	301530	KO-KER 100.0PF 500V 10%	cap ceramic 100pF	
C0109	343532	KO-EL 100.000MF 25V	cap electrolytic 100uF/25V	
C0110	343532	KO-EL 100.000MF 25V	cap electrolytic 100uF/25V	
C0111	340988	KO-FOL 0.470MF 63V 5%	cap mylar 470nF	
C0112	343532	KO-EL 100.000MF 25V	cap electrolytic 100uF/25V	
C0113	343532	KO-EL 100.000MF 25V	cap electrolytic 100uF/25V	
C0114	329021	KO-KER 0.10MF 100V 20%	cap ceramic 100nF	
C0115	329021	KO-KER 0.10MF 100V 20%	cap ceramic 100nF	
C0116	343532	KO-EL 100.000MF 25V	cap electrolytic 100uF/25V	
C0117	351994	KO-KER 120.0PF 500V 2%	cap ceramic 120pF	
C0118	351994	KO-KER 120.0PF 500V 2%	cap ceramic 120pF	
C0119	343531	KO-EL 47.000MF 63V	cap electrolytic 47uF/63V	
C0120	341714	KO-SO 0.10MF 275V 20% K	safety cap 100nF/275V	
C0123	301519	KO-KER 10.0PF 500V 10%	cap ceramic 10pF	

121714 DPA 4245 2X450W VERST.					
Pos. Nr.	Best. Nr.	Bezeichnung			Description
Ref. No.	Part No.				
C0124	301519	KO-KER	10.0PF	500V 10%	cap ceramic 10pF
C0125	301474	KO-EL	22.000MF	16V BIP	cap bip electr. 22uF/16V
C0126	329021	KO-KER	0.10MF	100V 20%	cap ceramic 100nF
C0127	329021	KO-KER	0.10MF	100V 20%	cap ceramic 100nF
C0128	329021	KO-KER	0.10MF	100V 20%	cap ceramic 100nF
C0129	329021	KO-KER	0.10MF	100V 20%	cap ceramic 100nF
C0300	301558	KO-KER	33.0PF	100V 2%	cap ceramic 33pF
C0301	301558	KO-KER	33.0PF	100V 2%	cap ceramic 33pF
C0302	301478	KO-EL	22.000MF	63V	cap electrolytic 22uF/63V
C0303	335787	KO-KER	15.0PF	100V 2%	cap ceramic 15pF
C0304	335787	KO-KER	15.0PF	100V 2%	cap ceramic 15pF
C0305	301458	KO-EL	2.200MF	63V	cap electrolytic 2.2uF/63V
C0306	327390	KO-FOL	470.000PF	100V 5%	cap mylar 470pF
C0307	340988	KO-FOL	0.470MF	63V 5%	cap mylar 470nF
C0308	301530	KO-KER	100.0PF	500V 10%	cap ceramic 100pF
C0309	343532	KO-EL	100.000MF	25V	cap electrolytic 100uF/25V
C0310	343532	KO-EL	100.000MF	25V	cap electrolytic 100uF/25V
C0311	340988	KO-FOL	0.470MF	63V 5%	cap mylar 470nF
C0312	343532	KO-EL	100.000MF	25V	cap electrolytic 100uF/25V
C0313	343532	KO-EL	100.000MF	25V	cap electrolytic 100uF/25V
C0314	329021	KO-KER	0.10MF	100V 20%	cap ceramic 100nF
C0315	329021	KO-KER	0.10MF	100V 20%	cap ceramic 100nF
C0316	343532	KO-EL	100.000MF	25V	cap electrolytic 100uF/25V
C0317	351994	KO-KER	120.0PF	500V 2%	cap ceramic 120pF
C0318	351994	KO-KER	120.0PF	500V 2%	cap ceramic 120pF
C0319	343531	KO-EL	47.000MF	63V	cap electrolytic 47uF/63V
C0320	341714	KO-SO	0.10MF	275V 20% K	safety cap 100nF/275V
C0323	301519	KO-KER	10.0PF	500V 10%	cap ceramic 10pF
C0324	301519	KO-KER	10.0PF	500V 10%	cap ceramic 10pF
C0325	301474	KO-EL	22.000MF	16V BIP	cap bip electr. 22uF/16V
C0326	329021	KO-KER	0.10MF	100V 20%	cap ceramic 100nF
C0327	329021	KO-KER	0.10MF	100V 20%	cap ceramic 100nF
C0328	329021	KO-KER	0.10MF	100V 20%	cap ceramic 100nF
C0329	329021	KO-KER	0.10MF	100V 20%	cap ceramic 100nF
C0519	329021	KO-KER	0.10MF	100V 20%	cap ceramic 100nF
C0520	340522	KO-EL	10.000MF	35V	cap electrolytic 10uF/35
C0521	340522	KO-EL	10.000MF	35V	cap electrolytic 10uF/35
D0002	304360	DIODE	1N 4007	GEGURTET	diode 1N 4002
D0003	301254	DIODE	1N 4148	AXIAL	diode 1N 4148
D0004	301254	DIODE	1N 4148	AXIAL	diode 1N 4148
D0005	301254	DIODE	1N 4148	AXIAL	diode 1N 4148
D0006	301254	DIODE	1N 4148	AXIAL	diode 1N 4148
D0007	301254	DIODE	1N 4148	AXIAL	diode 1N 4148
D0008	301254	DIODE	1N 4148	AXIAL	diode 1N 4148
D0009	304360	DIODE	1N 4007	GEGURTET	diode 1N 4002
D0010	301254	DIODE	1N 4148	AXIAL	diode 1N 4148
D0011	301254	DIODE	1N 4148	AXIAL	diode 1N 4148
D0014	301254	DIODE	1N 4148	AXIAL	diode 1N 4148
D0015	301254	DIODE	1N 4148	AXIAL	diode 1N 4148
D0016	304360	DIODE	1N 4007	GEGURTET	diode 1N 4002
D0017	304360	DIODE	1N 4007	GEGURTET	diode 1N 4002
D0018	304360	DIODE	1N 4007	GEGURTET	diode 1N 4002

121714 DPA 4245 2X450W VERST.				
Pos. Nr.	Best. Nr.			
Ref. No.	Part No.	Bezeichnung		Description
D0019	304360	DIODE 1N 4007	GEGURTET	diode 1N 4002
D0020	304992	DIODZ BZX 55C	6V8 0.50W	diode zener 6V8
D0021	304992	DIODZ BZX 55C	6V8 0.50W	diode zener 6V8
D0022	304360	DIODE 1N 4007	GEGURTET	diode 1N 4002
D0023	304360	DIODE 1N 4007	GEGURTET	diode 1N 4002
D0100	301254	DIODE 1N 4148	AXIAL	diode 1N 4148
D0101	301254	DIODE 1N 4148	AXIAL	diode 1N 4148
D0102	301254	DIODE 1N 4148	AXIAL	diode 1N 4148
D0104	329511	DIODZ BZX 55C	2V4 0.50W	diode zener 2V4
D0105	309450	DIODZ BZX 55C	15V 0.50W	diode zener 15V
D0106	309450	DIODZ BZX 55C	15V 0.50W	diode zener 15V
D0107	301254	DIODE 1N 4148	AXIAL	diode 1N 4148
D0108	301254	DIODE 1N 4148	AXIAL	diode 1N 4148
D0109	301254	DIODE 1N 4148	AXIAL	diode 1N 4148
D0110	301254	DIODE 1N 4148	AXIAL	diode 1N 4148
D0111	307916	DIODZ BZX 55C	7V5 0.50W	diode zener 7V5
D0112	307916	DIODZ BZX 55C	7V5 0.50W	diode zener 7V5
D0113	301254	DIODE 1N 4148	AXIAL	diode 1N 4148
D0114	304360	DIODE 1N 4007	GEGURTET	diode 1N 4002
D0115	304360	DIODE 1N 4007	GEGURTET	diode 1N 4002
D0116	301254	DIODE 1N 4148	AXIAL	diode 1N 4148
D0117	301254	DIODE 1N 4148	AXIAL	diode 1N 4148
D0118	354804	DIODZ ZPY	62V 1.30W	diode zener 62V
D0119	354804	DIODZ ZPY	62V 1.30W	diode zener 62V
D0300	301254	DIODE 1N 4148	AXIAL	diode 1N 4148
D0301	301254	DIODE 1N 4148	AXIAL	diode 1N 4148
D0302	301254	DIODE 1N 4148	AXIAL	diode 1N 4148
D0304	329511	DIODZ BZX 55C	2V4 0.50W	diode zener 2V4
D0305	309450	DIODZ BZX 55C	15V 0.50W	diode zener 15V
D0306	309450	DIODZ BZX 55C	15V 0.50W	diode zener 15V
D0307	301254	DIODE 1N 4148	AXIAL	diode 1N 4148
D0308	301254	DIODE 1N 4148	AXIAL	diode 1N 4148
D0309	301254	DIODE 1N 4148	AXIAL	diode 1N 4148
D0310	301254	DIODE 1N 4148	AXIAL	diode 1N 4148
D0311	307916	DIODZ BZX 55C	7V5 0.50W	diode zener 7V5
D0312	307916	DIODZ BZX 55C	7V5 0.50W	diode zener 7V5
D0313	301254	DIODE 1N 4148	AXIAL	diode 1N 4148
D0314	304360	DIODE 1N 4007	GEGURTET	diode 1N 4002
D0315	304360	DIODE 1N 4007	GEGURTET	diode 1N 4002
D0316	301254	DIODE 1N 4148	AXIAL	diode 1N 4148
D0317	301254	DIODE 1N 4148	AXIAL	diode 1N 4148
D0318	354804	DIODZ ZPY	62V 1.30W	diode zener 62V
D0319	354804	DIODZ ZPY	62V 1.30W	diode zener 62V
D0503	354004	LED GN	3MM LOW CURRENT	led green
D0504	354003	LED RT	3MM LOW CURRENT	led red
D0505	354003	LED RT	3MM LOW CURRENT	led red
D0508	354003	LED RT	3MM LOW CURRENT	led red
D0509	301254	DIODE 1N 4148	AXIAL	diode 1N 4148
D0510	354004	LED GN	3MM LOW CURRENT	led green
D0511	354004	LED GN	3MM LOW CURRENT	led green
D0512	301254	DIODE 1N 4148	AXIAL	diode 1N 4148
E0001	354859	RELAIS	793-P-1C-S-24V DC	relay 24V

121714 DPA 4245 2X450W VERST.				
Pos. Nr.	Best. Nr.			
Ref. No.	Part No.	Bezeichnung		Description
E0100	354859	RELAIS 793-P-1C-S-24V DC		relay 24V
E0300	354859	RELAIS 793-P-1C-S-24V DC		relay 24V
F0001	302582	SICHER T 1 A 250V		fuse 1A slow blow
F0002	302582	SICHER T 1 A 250V		fuse 1A slow blow
F0003	332065	SICHER T 8 A 250V		fuse 8A slow blow
H0100	343456	DICKS-NETZW.	8PIN 2%	res.network 8x4k7
H0101	343457	DICKS-NETZW.	8PIN 2%	res.network 8x10k
H0300	343456	DICKS-NETZW.	8PIN 2%	res.network 8x4k7
H0301	343457	DICKS-NETZW.	8PIN 2%	res.network 8x10k
I0001	332985	IC TL 074 CN		IC TL 074 CN
I0100	327197	IC NE 5532 P	2FACH OP	IC NE 5532 N
I0101	307421	IC CA 3080 E	OTA	IC CA 3080 E
I0102	332985	IC TL 074 CN		IC TL 074 CN
I0103	338359	IC LM 308 AN		IC LM 308 A
I0300	327197	IC NE 5532 P	2FACH OP	IC NE 5532 N
I0301	307421	IC CA 3080 E	OTA	IC CA 3080 E
I0302	332985	IC TL 074 CN		IC TL 074 CN
I0303	338359	IC LM 308 AN		IC LM 308 A
JS001	338835	STECKER-KALTGERÄTE		connector male mains
L0100	348592	FILTERSP. 2.50UH/0.004OHM		coil 2.5uH
L0300	348592	FILTERSP. 2.50UH/0.004OHM		coil 2.5uH
Q0001	306928	TRANS BC 560 C		transistor BC 560 C
Q0002	306928	TRANS BC 560 C		transistor BC 560 C
Q0003	306928	TRANS BC 560 C		transistor BC 560 C
Q0004	306928	TRANS BC 560 C		transistor BC 560 C
Q0005	306928	TRANS BC 560 C		transistor BC 560 C
Q0008	307150	TRANS BC 337-25	TO 92	transistor BC 337-25
Q0009	301184	TRANS BC 550 C		transistor BC 550 B
Q0010	348591	TRANS BC 618 DARL.	TO 92	transistor BC 618
Q0011	301184	TRANS BC 550 C		transistor BC 550 B
Q0012	307150	TRANS BC 337-25	TO 92	transistor BC 337-25
Q0017	307150	TRANS BC 337-25	TO 92	transistor BC 337-25
Q0018	307430	TRANS BC 327-25	TO 92	transistor BC 327-25
Q0019	307430	TRANS BC 327-25	TO 92	transistor BC 327-25
Q0020	301235	TRANS BD 242 B		transistor BD 242 B
Q0021	307150	TRANS BC 337-25	TO 92	transistor BC 337-25
Q0022	301236	TRANS BD 241 B		transistor BD 241 B
Q0023	307150	TRANS BC 337-25	TO 92	transistor BC 337-25
Q0100	348421	TRANS 2N 3906		transistor 2N 3906
Q0101	335763	TRANS 2N 3904		transistor 2N 3904
Q0103	330264	TRANS J 111		transistor J 111 A
Q0104	335763	TRANS 2N 3904		transistor 2N 3904
Q0105	348421	TRANS 2N 3906		transistor 2N 3906
Q0106	348422	TRANS MPSA 42		transistor MPSA 42
Q0107	348423	TRANS MPSA 92		transistor MPSA 92
Q0108	335763	TRANS 2N 3904		transistor 2N 3904
Q0109	348421	TRANS 2N 3906		transistor 2N 3906
Q0110	348422	TRANS MPSA 42		transistor MPSA 42
Q0111	348423	TRANS MPSA 92		transistor MPSA 92
Q0112	335763	TRANS 2N 3904		transistor 2N 3904
Q0113	348421	TRANS 2N 3906		transistor 2N 3906
Q0114	335763	TRANS 2N 3904		transistor 2N 3904

121714 DPA 4245 2X450W VERST.			
Pos. Nr.	Best. Nr.		
Ref. No.	Part No.	Bezeichnung	Description
Q0115	348421	TRANS 2N 3906	transistor 2N 3906
00010	338869	TRANS MJE 350	transistor MJE 350
00010	338868	TRANS MJE 340	transistor MJE 340
Q0118	348409	TRANS 2SC 4793	transistor 2SC 4793
Q0119	348421	TRANS 2N 3906	transistor 2N 3906
Q0120	335763	TRANS 2N 3904	transistor 2N 3904
Q0121	335763	TRANS 2N 3904	transistor 2N 3904
Q0122	348421	TRANS 2N 3906	transistor 2N 3906
Q0123	351981	TRANS MJL 3281 A	transistor MJL 3281 A
Q0124	351982	TRANS MJL 1302 A	transistor MJL 1302 A
Q0125	331657	TRANS MJ 15022	transistor MJ 15022
Q0126	331658	TRANS MJ 15023	transistor MJ 15023
Q0127	331657	TRANS MJ 15022	transistor MJ 15022
Q0128	331658	TRANS MJ 15023	transistor MJ 15023
Q0129	331657	TRANS MJ 15022	transistor MJ 15022
Q0130	331658	TRANS MJ 15023	transistor MJ 15023
Q0131	331657	TRANS MJ 15022	transistor MJ 15022
Q0132	331658	TRANS MJ 15023	transistor MJ 15023
Q0135	348422	TRANS MPSA 42	transistor MPSA 42
Q0136	348423	TRANS MPSA 92	transistor MPSA 92
Q0137	348423	TRANS MPSA 92	transistor MPSA 92
Q0138	348422	TRANS MPSA 42	transistor MPSA 42
Q0139	307911	TRANS BF 393	transistor BF 391
Q0140	307911	TRANS BF 393	transistor BF 391
Q0141	348423	TRANS MPSA 92	transistor MPSA 92
Q0142	348423	TRANS MPSA 92	transistor MPSA 92
Q0143	348421	TRANS 2N 3906	transistor 2N 3906
Q0144	348421	TRANS 2N 3906	transistor 2N 3906
Q0145	335763	TRANS 2N 3904	transistor 2N 3904
Q0146	306928	TRANS BC 560 C	transistor BC 560 C
Q0300	348421	TRANS 2N 3906	transistor 2N 3906
Q0301	335763	TRANS 2N 3904	transistor 2N 3904
Q0303	330264	TRANS J 111	transistor J 111 A
Q0304	335763	TRANS 2N 3904	transistor 2N 3904
Q0305	348421	TRANS 2N 3906	transistor 2N 3906
Q0306	348422	TRANS MPSA 42	transistor MPSA 42
Q0307	348423	TRANS MPSA 92	transistor MPSA 92
Q0308	335763	TRANS 2N 3904	transistor 2N 3904
Q0309	348421	TRANS 2N 3906	transistor 2N 3906
Q0310	348422	TRANS MPSA 42	transistor MPSA 42
Q0311	348423	TRANS MPSA 92	transistor MPSA 92
Q0312	335763	TRANS 2N 3904	transistor 2N 3904
Q0313	348421	TRANS 2N 3906	transistor 2N 3906
Q0314	335763	TRANS 2N 3904	transistor 2N 3904
Q0315	348421	TRANS 2N 3906	transistor 2N 3906
00010	338869	TRANS MJE 350	transistor MJE 350
00010	338868	TRANS MJE 340	transistor MJE 340
Q0318	348409	TRANS 2SC 4793	transistor 2SC 4793
Q0319	348421	TRANS 2N 3906	transistor 2N 3906
Q0320	335763	TRANS 2N 3904	transistor 2N 3904
Q0321	335763	TRANS 2N 3904	transistor 2N 3904
Q0322	348421	TRANS 2N 3906	transistor 2N 3906



121714 DPA 4245 2X450W VERST.			
Pos. Nr.	Best. Nr.		
Ref. No.	Part No.	Bezeichnung	Description
Q0323	351981	TRANS MJL 3281 A	transistor MJL 3281 A
Q0324	351982	TRANS MJL 1302 A	transistor MJL 1302 A
Q0327	331657	TRANS MJ 15022	transistor MJ 15022
Q0328	331658	TRANS MJ 15023	transistor MJ 15023
Q0329	331657	TRANS MJ 15022	transistor MJ 15022
Q0330	331658	TRANS MJ 15023	transistor MJ 15023
Q0331	331657	TRANS MJ 15022	transistor MJ 15022
Q0332	331658	TRANS MJ 15023	transistor MJ 15023
Q0333	331657	TRANS MJ 15022	transistor MJ 15022
Q0334	331658	TRANS MJ 15023	transistor MJ 15023
Q0335	348422	TRANS MPSA 42	transistor MPSA 42
Q0336	348423	TRANS MPSA 92	transistor MPSA 92
Q0337	348423	TRANS MPSA 92	transistor MPSA 92
Q0338	348422	TRANS MPSA 42	transistor MPSA 42
Q0339	307911	TRANS BF 393	transistor BF 391
Q0340	307911	TRANS BF 393	transistor BF 391
Q0341	348423	TRANS MPSA 92	transistor MPSA 92
Q0342	348423	TRANS MPSA 92	transistor MPSA 92
Q0343	348421	TRANS 2N 3906	transistor 2N 3906
Q0344	348421	TRANS 2N 3906	transistor 2N 3906
Q0345	335763	TRANS 2N 3904	transistor 2N 3904
Q0346	306928	TRANS BC 560 C	transistor BC 560 C
Q0501	306928	TRANS BC 560 C	transistor BC 560 C
Q0502	348422	TRANS MPSA 42	transistor MPSA 42
Q0503	348422	TRANS MPSA 42	transistor MPSA 42
Q0504	301184	TRANS BC 550 C	transistor BC 550 B
Q0505	301184	TRANS BC 550 C	transistor BC 550 B
Q0506	306928	TRANS BC 560 C	transistor BC 560 C
Q0507	306928	TRANS BC 560 C	transistor BC 560 C
R0037	348490	WI-SO NTC K 164/100K/J	safety component NTC
R0065	348550	WI-SO NTC 10 OHM K	safety resistor 10 Ohm
R0185	348456	WI-DR 2X 0.22 OHM 5.00W 5%	resistor 2x0.22 Ohm 5watt
R0188	348456	WI-DR 2X 0.22 OHM 5.00W 5%	resistor 2x0.22 Ohm 5watt
R0191	348456	WI-DR 2X 0.22 OHM 5.00W 5%	resistor 2x0.22 Ohm 5watt
R0194	348456	WI-DR 2X 0.22 OHM 5.00W 5%	resistor 2x0.22 Ohm 5watt
R0208	348593	WI-SO NTC K 164/2.2K	safety component NTC
R0209	348593	WI-SO NTC K 164/2.2K	safety component NTC
R0223	341713	WI-DR 4.70 OHM 4.00W 5%	resistor 4.70 Ohm 4watt
R0225	341713	WI-DR 4.70 OHM 4.00W 5%	resistor 4.70 Ohm 4watt
R0227	341713	WI-DR 4.70 OHM 4.00W 5%	resistor 4.70 Ohm 4watt
R0388	348456	WI-DR 2X 0.22 OHM 5.00W 5%	resistor 2x0.22 Ohm 5watt
R0391	348456	WI-DR 2X 0.22 OHM 5.00W 5%	resistor 2x0.22 Ohm 5watt
R0394	348456	WI-DR 2X 0.22 OHM 5.00W 5%	resistor 2x0.22 Ohm 5watt
R0397	348456	WI-DR 2X 0.22 OHM 5.00W 5%	resistor 2x0.22 Ohm 5watt
R0408	348593	WI-SO NTC K 164/2.2K	safety component NTC
R0409	348593	WI-SO NTC K 164/2.2K	safety component NTC
R0423	341713	WI-DR 4.70 OHM 4.00W 5%	resistor 4.70 Ohm 4watt
R0425	341713	WI-DR 4.70 OHM 4.00W 5%	resistor 4.70 Ohm 4watt
R0427	341713	WI-DR 4.70 OHM 4.00W 5%	resistor 4.70 Ohm 4watt
S0001	344037	SCHALTER-RAST 2XUM	switch dpdt latching
S0002	338886	SCHALTER-SCHIEBE L202-02-1-	switch slide
VR100	348486	WI-TRI 47.00 KOHM LIN	pot trim 47k Ohm lin

121714 DPA 4245 2X450W VERST.				
Pos. Nr.	Best. Nr.			
Ref. No.	Part No.	Bezeichnung		Description
VR101	348674	WI-TRI	250.00 OHM LIN	pot trim 250 Ohm lin
VR300	348486	WI-TRI	47.00 KOHM LIN	pot trim 47k Ohm lin
VR301	348674	WI-TRI	250.00 OHM LIN	pot trim 250 Ohm lin
00030	303576	SICHER-HALTE-FEDER		fuse clip
00035	328390	SICHER-HALTER	FAU	fuse holder
00040	328391	SICHER-HALTER-KAPPE	FEK	fuse holder carrier
00075	354306	STIFTLEISTE 16POL		connector male 16-pin

813408 PCB-A:DPA4245/4260 N 5 pcb assy 81340				
CN01X	344862	MESSERLST. 8POL		connector male 8-pin
CN100	354692	STIFTLEISTE 3POL		connector male 3-pin
CN101	354692	STIFTLEISTE 3POL		connector male 3-pin
CN103	354177	BUCHSENLEISTE 12POL		connector female 12-pole
CN500	354886	STIFTLEISTE 2POL MC1.5/ 2		connector male 2-pole
C0100	329021	KO-KER	0.10MF 100V 20%	cap ceramic 100nF
C0101	329021	KO-KER	0.10MF 100V 20%	cap ceramic 100nF
C0102	301543	KO-KER	330.0PF 500V 10%	cap ceramic 330pF
C0103	301543	KO-KER	330.0PF 500V 10%	cap ceramic 330pF
C0104	301543	KO-KER	330.0PF 500V 10%	cap ceramic 330pF
C0105	301543	KO-KER	330.0PF 500V 10%	cap ceramic 330pF
C0106	301558	KO-KER	33.0PF 100V 2%	cap ceramic 33pF
C0107	301558	KO-KER	33.0PF 100V 2%	cap ceramic 33pF
C0108	301558	KO-KER	33.0PF 100V 2%	cap ceramic 33pF
C0109	301558	KO-KER	33.0PF 100V 2%	cap ceramic 33pF
C0110	340244	KO-FOL	0.330MF 63V 5%	cap mylar 330nF
C0111	340244	KO-FOL	0.330MF 63V 5%	cap mylar 330nF
C0112	340244	KO-FOL	0.330MF 63V 5%	cap mylar 330nF
C0113	340244	KO-FOL	0.330MF 63V 5%	cap mylar 330nF
C0114	340244	KO-FOL	0.330MF 63V 5%	cap mylar 330nF
C0115	340244	KO-FOL	0.330MF 63V 5%	cap mylar 330nF
C0116	343397	KO-FOL	1000.000PF 100V2.5%	cap mylar 1nF
C0117	343397	KO-FOL	1000.000PF 100V2.5%	cap mylar 1nF
C0118	326924	KO-FOL	2200.000PF 100V 5%	cap mylar 2200pF
C0119	326924	KO-FOL	2200.000PF 100V 5%	cap mylar 2200pF
C0120	340523	KO-EL	22.000MF 16V	cap electrolytic 22uF/16V
C0121	340523	KO-EL	22.000MF 16V	cap electrolytic 22uF/16V
C0122	340523	KO-EL	22.000MF 16V	cap electrolytic 22uF/16V
C0123	340523	KO-EL	22.000MF 16V	cap electrolytic 22uF/16V
C0124	340523	KO-EL	22.000MF 16V	cap electrolytic 22uF/16V
C0125	340523	KO-EL	22.000MF 16V	cap electrolytic 22uF/16V
C0126	329021	KO-KER	0.10MF 100V 20%	cap ceramic 100nF
C0127	329021	KO-KER	0.10MF 100V 20%	cap ceramic 100nF
C0128	329021	KO-KER	0.10MF 100V 20%	cap ceramic 100nF
C0129	329021	KO-KER	0.10MF 100V 20%	cap ceramic 100nF
D0104	304360	DIODE 1N 4007	GEGURTET	diode 1N 4002
D0105	304360	DIODE 1N 4007	GEGURTET	diode 1N 4002
D0500	304360	DIODE 1N 4007	GEGURTET	diode 1N 4002
D0501	304360	DIODE 1N 4007	GEGURTET	diode 1N 4002
E0500	356594	RELAIS 793-P-1A-S-TV10		relay
H0100	343457	DICKS-NETZW.	8PIN 2%	res.network 8x10k
H0101	343457	DICKS-NETZW.	8PIN 2%	res.network 8x10k

121714 DPA 4245 2X450W VERST.				
Pos. Nr.	Best. Nr.			
Ref. No.	Part No.	Bezeichnung		Description
I0100	327197	IC NE 5532 P	2FACH OP	IC NE 5532 N
I0102	327197	IC NE 5532 P	2FACH OP	IC NE 5532 N
I0103	327197	IC NE 5532 P	2FACH OP	IC NE 5532 N
I0104	327197	IC NE 5532 P	2FACH OP	IC NE 5532 N
JS100	351815	BUCHSE-FL. XLR 3POL	SW	xlr connector female 3-pole
JS101	351815	BUCHSE-FL. XLR 3POL	SW	xlr connector female 3-pole
S0100	344037	SCHALTER-RAST 2XUM		switch dpdt latching
S0500	349114	SCHALTER-NETZ		mains switch
VR100	343250	P-DREH 10KOHM LIN	B	potentiometer 10kohm lin
VR101	343250	P-DREH 10KOHM LIN	B	potentiometer 10kohm lin
00010	330269	FL.STECKER 6.3/0.8		connector 6.3mm faston

## Ersatzteilliste - Bill of Materials

121715		DPA 4260 2X600W VERST.	
Pos. Nr.	Best. Nr.		
Ref. No.	Part No.	Bezeichnung	Description

Zubehör	Accessories & packing material
---------	--------------------------------

355871	BEDIENUNGSANL. DPA4245/426	user manual DPA4245/4260
300425	KABEL-NETZ 2.0 M 10A	power cable Europe
354179	KABELGEHÄUSE 12POL KGS-MS	connector housing
354178	STECKERLEISTE 12POL IC2.5/	connector male 12-pin
354885	BUCHSENLEISTE 2POL	connector female 2-pole
354691	BUCHSENLEISTE 3POL	connector female 3-pole
332652	KRT. L 2400 612X570X270	carton outer
347526	KRT. IN L 2400 502X465X155	carton inner
303715	STYROPOR-ECK 150X150X150X50	styrofoam #2
348018	SCHUTZFOLIE 1200X800X0,05	poly bag
327495	STYROPOR-ECK 150X150X100X50	styrofoam #1
345438	SCHUTZHÜLLE 165X345X0,05	plastic bag
349988	FALTEINLAGE 750X280	carton filler
349989	FALTEINLAGE 1864X150	carton filler

Mechanische Teile	Cabinet material
-------------------	------------------

G0010	343270	GLRI GBPC 3504	rectifier GBPC-P 3504
	337059	KNOPF-TASTE 12X7 SW 3.3	push button black 12x7
	357958	DK 11 SW/WS/RT C 6FL	rotary knob
	348415	LÜFTER TYP FBA08A24H DC	fan dc 24V
	349693	KABEL-KONFEKT 4POL 0.670M	ribbon cable assy 4-way
	346790	KABEL-KONFEKT 8POL 0.300M	ribbon cable assy 8way
	349691	KABEL-KONFEKT 8POL 0.440M	ribbon cable assy 8way
	355913	FB.DPA4260 BED	front panel DPA4260
	355915	DEC.3HE DPA4245,4260	top cover
	354550	NT-RG.Q66/S1200/CP2 230V	power transformer 230V
	348805	WI-SO PTC K155 100GRAD	safety component PTC
	348341	FEDERLEISTE 3POL CE100-	connector female 3-pole
	354807	ÜT-RG.DPA4260 100V	output transformer 100V
	348341	FEDERLEISTE 3POL CE100-	connector female 3-pole

841898	PCBAR#DPA4260	pcb assy 84189
--------	---------------	----------------

CNAC1	343516	FL.STECKER 4.8/0.5	connector 4.8mm faston
CNAC2	343516	FL.STECKER 4.8/0.5	connector 4.8mm faston
CNGND	343516	FL.STECKER 4.8/0.5	connector 4.8mm faston
CNGN1	330269	FL.STECKER 6.3/0.8	connector 6.3mm faston
CN001	344862	MESSERLST. 8POL	connector male 8-pin
CN002	348334	STIFTLEISTE 3POL MLSS	connector male 3-pin
CN003	348334	STIFTLEISTE 3POL MLSS	connector male 3-pin
CN005	348334	STIFTLEISTE 3POL MLSS	connector male 3-pin
CN007	330269	FL.STECKER 6.3/0.8	connector 6.3mm faston
CN010	330269	FL.STECKER 6.3/0.8	connector 6.3mm faston
CN013	330269	FL.STECKER 6.3/0.8	connector 6.3mm faston
CN018	341937	MESSERLST. 4POL	connector male 4-pin
CN019	330269	FL.STECKER 6.3/0.8	connector 6.3mm faston

121715 DPA 4260 2X600W VERST.				
Pos. Nr.	Best. Nr.			
Ref. No.	Part No.	Bezeichnung	Description	
CN020	344862	MESSERLST. 8POL	connector male 8-pin	
CN08X	343516	FL.STECKER 4.8/0.5	connector 4.8mm faston	
CN18X	341937	MESSERLST. 4POL	connector male 4-pin	
CN20X	344862	MESSERLST. 8POL	connector male 8-pin	
C0001	342923	KO-FOL 0.220MF 63V 5%	cap mylar 220nF	
C0002	307445	KO-EL 10.000MF 35V	cap electrolytic 10uF/35V	
C0005	329021	KO-KER 0.10MF 100V 20%	cap ceramic 100nF	
C0006	329021	KO-KER 0.10MF 100V 20%	cap ceramic 100nF	
C0007	343530	KO-EL 47.000MF 50V	cap electrolytic 47uF/50V	
C0008	329021	KO-KER 0.10MF 100V 20%	cap ceramic 100nF	
C0011	354564	KO-EL 6800.000MF 100V 20%	cap electr. 6800uF/100V	
C0012	354564	KO-EL 6800.000MF 100V 20%	cap electr. 6800uF/100V	
C0013	354564	KO-EL 6800.000MF 100V 20%	cap electr. 6800uF/100V	
C0014	354564	KO-EL 6800.000MF 100V 20%	cap electr. 6800uF/100V	
C0015	341714	KO-SO 0.10MF 275V 20% K	safety cap 100nF/275V	
C0016	329021	KO-KER 0.10MF 100V 20%	cap ceramic 100nF	
C0017	329021	KO-KER 0.10MF 100V 20%	cap ceramic 100nF	
C0018	327366	KO-EL 4.700MF 50V BIP	cap bip electr. 4.7uF/50V	
C0019	329021	KO-KER 0.10MF 100V 20%	cap ceramic 100nF	
C0022	329021	KO-KER 0.10MF 100V 20%	cap ceramic 100nF	
C0023	329021	KO-KER 0.10MF 100V 20%	cap ceramic 100nF	
C0024	335935	KO-EL 2200.000MF 35V	cap electrolytic 2200uF/35V	
C0025	335935	KO-EL 2200.000MF 35V	cap electrolytic 2200uF/35V	
C0026	343530	KO-EL 47.000MF 50V	cap electrolytic 47uF/50V	
C0027	343530	KO-EL 47.000MF 50V	cap electrolytic 47uF/50V	
C0028	301524	KO-KER 47.0PF 500V 10%	cap ceramic 47pF	
C0029	301524	KO-KER 47.0PF 500V 10%	cap ceramic 47pF	
C0030	329021	KO-KER 0.10MF 100V 20%	cap ceramic 100nF	
C0031	329021	KO-KER 0.10MF 100V 20%	cap ceramic 100nF	
C0032	341714	KO-SO 0.10MF 275V 20% K	safety cap 100nF/275V	
C0100	301558	KO-KER 33.0PF 100V 2%	cap ceramic 33pF	
C0101	301558	KO-KER 33.0PF 100V 2%	cap ceramic 33pF	
C0102	301478	KO-EL 22.000MF 63V	cap electrolytic 22uF/63V	
C0103	335787	KO-KER 15.0PF 100V 2%	cap ceramic 15pF	
C0104	335787	KO-KER 15.0PF 100V 2%	cap ceramic 15pF	
C0105	301458	KO-EL 2.200MF 63V	cap electrolytic 2.2uF/63V	
C0106	327390	KO-FOL 470.000PF 100V 5%	cap mylar 470pF	
C0107	340988	KO-FOL 0.470MF 63V 5%	cap mylar 470nF	
C0108	301530	KO-KER 100.0PF 500V 10%	cap ceramic 100pF	
C0109	343532	KO-EL 100.000MF 25V	cap electrolytic 100uF/25V	
C0110	343532	KO-EL 100.000MF 25V	cap electrolytic 100uF/25V	
C0111	340988	KO-FOL 0.470MF 63V 5%	cap mylar 470nF	
C0112	343532	KO-EL 100.000MF 25V	cap electrolytic 100uF/25V	
C0113	343532	KO-EL 100.000MF 25V	cap electrolytic 100uF/25V	
C0114	329021	KO-KER 0.10MF 100V 20%	cap ceramic 100nF	
C0115	329021	KO-KER 0.10MF 100V 20%	cap ceramic 100nF	
C0116	343532	KO-EL 100.000MF 25V	cap electrolytic 100uF/25V	
C0117	351994	KO-KER 120.0PF 500V 2%	cap ceramic 120pF	
C0118	351994	KO-KER 120.0PF 500V 2%	cap ceramic 120pF	
C0119	343531	KO-EL 47.000MF 63V	cap electrolytic 47uF/63V	
C0120	341714	KO-SO 0.10MF 275V 20% K	safety cap 100nF/275V	
C0123	301519	KO-KER 10.0PF 500V 10%	cap ceramic 10pF	

121715 DPA 4260 2X600W VERST.					
Pos. Nr.	Best. Nr.	Bezeichnung			Description
Ref. No.	Part No.				
C0124	301519	KO-KER	10.0PF	500V 10%	cap ceramic 10pF
C0125	301474	KO-EL	22.000MF	16V BIP	cap bip electr. 22uF/16V
C0126	329021	KO-KER	0.10MF	100V 20%	cap ceramic 100nF
C0127	329021	KO-KER	0.10MF	100V 20%	cap ceramic 100nF
C0128	329021	KO-KER	0.10MF	100V 20%	cap ceramic 100nF
C0129	329021	KO-KER	0.10MF	100V 20%	cap ceramic 100nF
C0300	301558	KO-KER	33.0PF	100V 2%	cap ceramic 33pF
C0301	301558	KO-KER	33.0PF	100V 2%	cap ceramic 33pF
C0302	301478	KO-EL	22.000MF	63V	cap electrolytic 22uF/63V
C0303	335787	KO-KER	15.0PF	100V 2%	cap ceramic 15pF
C0304	335787	KO-KER	15.0PF	100V 2%	cap ceramic 15pF
C0305	301458	KO-EL	2.200MF	63V	cap electrolytic 2.2uF/63V
C0306	327390	KO-FOL	470.000PF	100V 5%	cap mylar 470pF
C0307	340988	KO-FOL	0.470MF	63V 5%	cap mylar 470nF
C0308	301530	KO-KER	100.0PF	500V 10%	cap ceramic 100pF
C0309	343532	KO-EL	100.000MF	25V	cap electrolytic 100uF/25V
C0310	343532	KO-EL	100.000MF	25V	cap electrolytic 100uF/25V
C0311	340988	KO-FOL	0.470MF	63V 5%	cap mylar 470nF
C0312	343532	KO-EL	100.000MF	25V	cap electrolytic 100uF/25V
C0313	343532	KO-EL	100.000MF	25V	cap electrolytic 100uF/25V
C0314	329021	KO-KER	0.10MF	100V 20%	cap ceramic 100nF
C0315	329021	KO-KER	0.10MF	100V 20%	cap ceramic 100nF
C0316	343532	KO-EL	100.000MF	25V	cap electrolytic 100uF/25V
C0317	351994	KO-KER	120.0PF	500V 2%	cap ceramic 120pF
C0318	351994	KO-KER	120.0PF	500V 2%	cap ceramic 120pF
C0319	343531	KO-EL	47.000MF	63V	cap electrolytic 47uF/63V
C0320	341714	KO-SO	0.10MF	275V 20% K	safety cap 100nF/275V
C0323	301519	KO-KER	10.0PF	500V 10%	cap ceramic 10pF
C0324	301519	KO-KER	10.0PF	500V 10%	cap ceramic 10pF
C0325	301474	KO-EL	22.000MF	16V BIP	cap bip electr. 22uF/16V
C0326	329021	KO-KER	0.10MF	100V 20%	cap ceramic 100nF
C0327	329021	KO-KER	0.10MF	100V 20%	cap ceramic 100nF
C0328	329021	KO-KER	0.10MF	100V 20%	cap ceramic 100nF
C0329	329021	KO-KER	0.10MF	100V 20%	cap ceramic 100nF
C0519	329021	KO-KER	0.10MF	100V 20%	cap ceramic 100nF
C0520	340522	KO-EL	10.000MF	35V	cap electrolytic 10uF/35
C0521	340522	KO-EL	10.000MF	35V	cap electrolytic 10uF/35
D0002	304360	DIODE	1N 4007	GEGURTET	diode 1N 4002
D0003	301254	DIODE	1N 4148	AXIAL	diode 1N 4148
D0004	301254	DIODE	1N 4148	AXIAL	diode 1N 4148
D0005	301254	DIODE	1N 4148	AXIAL	diode 1N 4148
D0006	301254	DIODE	1N 4148	AXIAL	diode 1N 4148
D0007	301254	DIODE	1N 4148	AXIAL	diode 1N 4148
D0008	301254	DIODE	1N 4148	AXIAL	diode 1N 4148
D0009	304360	DIODE	1N 4007	GEGURTET	diode 1N 4002
D0010	301254	DIODE	1N 4148	AXIAL	diode 1N 4148
D0011	301254	DIODE	1N 4148	AXIAL	diode 1N 4148
D0014	301254	DIODE	1N 4148	AXIAL	diode 1N 4148
D0015	301254	DIODE	1N 4148	AXIAL	diode 1N 4148
D0016	304360	DIODE	1N 4007	GEGURTET	diode 1N 4002
D0017	304360	DIODE	1N 4007	GEGURTET	diode 1N 4002
D0018	304360	DIODE	1N 4007	GEGURTET	diode 1N 4002

121715 DPA 4260 2X600W VERST.				
Pos. Nr.	Best. Nr.			
Ref. No.	Part No.	Bezeichnung		Description
D0019	304360	DIODE 1N 4007	GEGURTET	diode 1N 4002
D0020	304992	DIODZ BZX 55C	6V8 0.50W	diode zener 6V8
D0021	304992	DIODZ BZX 55C	6V8 0.50W	diode zener 6V8
D0022	304360	DIODE 1N 4007	GEGURTET	diode 1N 4002
D0023	304360	DIODE 1N 4007	GEGURTET	diode 1N 4002
D0100	301254	DIODE 1N 4148	AXIAL	diode 1N 4148
D0101	301254	DIODE 1N 4148	AXIAL	diode 1N 4148
D0102	301254	DIODE 1N 4148	AXIAL	diode 1N 4148
D0104	329511	DIODZ BZX 55C	2V4 0.50W	diode zener 2V4
D0105	309450	DIODZ BZX 55C	15V 0.50W	diode zener 15V
D0106	309450	DIODZ BZX 55C	15V 0.50W	diode zener 15V
D0107	301254	DIODE 1N 4148	AXIAL	diode 1N 4148
D0108	301254	DIODE 1N 4148	AXIAL	diode 1N 4148
D0109	301254	DIODE 1N 4148	AXIAL	diode 1N 4148
D0110	301254	DIODE 1N 4148	AXIAL	diode 1N 4148
D0111	307916	DIODZ BZX 55C	7V5 0.50W	diode zener 7V5
D0112	307916	DIODZ BZX 55C	7V5 0.50W	diode zener 7V5
D0113	301254	DIODE 1N 4148	AXIAL	diode 1N 4148
D0114	304360	DIODE 1N 4007	GEGURTET	diode 1N 4002
D0115	304360	DIODE 1N 4007	GEGURTET	diode 1N 4002
D0116	301254	DIODE 1N 4148	AXIAL	diode 1N 4148
D0117	301254	DIODE 1N 4148	AXIAL	diode 1N 4148
D0118	340635	DIODZ ZPY	75V 1.30W	diode zener 75V
D0119	340635	DIODZ ZPY	75V 1.30W	diode zener 75V
D0300	301254	DIODE 1N 4148	AXIAL	diode 1N 4148
D0301	301254	DIODE 1N 4148	AXIAL	diode 1N 4148
D0302	301254	DIODE 1N 4148	AXIAL	diode 1N 4148
D0304	329511	DIODZ BZX 55C	2V4 0.50W	diode zener 2V4
D0305	309450	DIODZ BZX 55C	15V 0.50W	diode zener 15V
D0306	309450	DIODZ BZX 55C	15V 0.50W	diode zener 15V
D0307	301254	DIODE 1N 4148	AXIAL	diode 1N 4148
D0308	301254	DIODE 1N 4148	AXIAL	diode 1N 4148
D0309	301254	DIODE 1N 4148	AXIAL	diode 1N 4148
D0310	301254	DIODE 1N 4148	AXIAL	diode 1N 4148
D0311	307916	DIODZ BZX 55C	7V5 0.50W	diode zener 7V5
D0312	307916	DIODZ BZX 55C	7V5 0.50W	diode zener 7V5
D0313	301254	DIODE 1N 4148	AXIAL	diode 1N 4148
D0314	304360	DIODE 1N 4007	GEGURTET	diode 1N 4002
D0315	304360	DIODE 1N 4007	GEGURTET	diode 1N 4002
D0316	301254	DIODE 1N 4148	AXIAL	diode 1N 4148
D0317	301254	DIODE 1N 4148	AXIAL	diode 1N 4148
D0318	340635	DIODZ ZPY	75V 1.30W	diode zener 75V
D0319	340635	DIODZ ZPY	75V 1.30W	diode zener 75V
D0503	354004	LED GN	3MM LOW CURRENT	led green
D0504	354003	LED RT	3MM LOW CURRENT	led red
D0505	354003	LED RT	3MM LOW CURRENT	led red
D0508	354003	LED RT	3MM LOW CURRENT	led red
D0509	301254	DIODE 1N 4148	AXIAL	diode 1N 4148
D0510	354004	LED GN	3MM LOW CURRENT	led green
D0511	354004	LED GN	3MM LOW CURRENT	led green
D0512	301254	DIODE 1N 4148	AXIAL	diode 1N 4148
E0001	354859	RELAIS	793-P-1C-S-24V DC	relay 24V

121715 DPA 4260 2X600W VERST.				
Pos. Nr.	Best. Nr.			
Ref. No.	Part No.	Bezeichnung		Description
E0100	354859	RELAIS 793-P-1C-S-24V DC		relay 24V
E0300	354859	RELAIS 793-P-1C-S-24V DC		relay 24V
F0001	302582	SICHER T 1 A 250V		fuse 1A slow blow
F0002	302582	SICHER T 1 A 250V		fuse 1A slow blow
F0003	302565	SICHER T 10 A 250V		fuse 10A slow blow
H0100	343456	DICKS-NETZW. 8PIN 2%		res.network 8x4k7
H0101	343457	DICKS-NETZW. 8PIN 2%		res.network 8x10k
H0300	343456	DICKS-NETZW. 8PIN 2%		res.network 8x4k7
H0301	343457	DICKS-NETZW. 8PIN 2%		res.network 8x10k
I0001	332985	IC TL 074 CN		IC TL 074 CN
I0100	327197	IC NE 5532 P 2FACH OP		IC NE 5532 N
I0101	307421	IC CA 3080 E OTA		IC CA 3080 E
I0102	332985	IC TL 074 CN		IC TL 074 CN
I0103	338359	IC LM 308 AN		IC LM 308 A
I0300	327197	IC NE 5532 P 2FACH OP		IC NE 5532 N
I0301	307421	IC CA 3080 E OTA		IC CA 3080 E
I0302	332985	IC TL 074 CN		IC TL 074 CN
I0303	338359	IC LM 308 AN		IC LM 308 A
JS001	338835	STECKER-KALTGERÄTE		connector male mains
L0100	348592	FILTERSP. 2.50UH/0.004OHM		coil 2.5uH
L0300	348592	FILTERSP. 2.50UH/0.004OHM		coil 2.5uH
Q0001	306928	TRANS BC 560 C		transistor BC 560 C
Q0002	306928	TRANS BC 560 C		transistor BC 560 C
Q0003	306928	TRANS BC 560 C		transistor BC 560 C
Q0004	306928	TRANS BC 560 C		transistor BC 560 C
Q0005	306928	TRANS BC 560 C		transistor BC 560 C
Q0008	307150	TRANS BC 337-25 TO 92		transistor BC 337-25
Q0009	301184	TRANS BC 550 C		transistor BC 550 B
Q0010	348591	TRANS BC 618 DARL. TO 92		transistor BC 618
Q0011	301184	TRANS BC 550 C		transistor BC 550 B
Q0012	307150	TRANS BC 337-25 TO 92		transistor BC 337-25
Q0017	307150	TRANS BC 337-25 TO 92		transistor BC 337-25
Q0018	307430	TRANS BC 327-25 TO 92		transistor BC 327-25
Q0019	307430	TRANS BC 327-25 TO 92		transistor BC 327-25
Q0020	301235	TRANS BD 242 B		transistor BD 242 B
Q0021	307150	TRANS BC 337-25 TO 92		transistor BC 337-25
Q0022	301236	TRANS BD 241 B		transistor BD 241 B
Q0023	307150	TRANS BC 337-25 TO 92		transistor BC 337-25
Q0100	348421	TRANS 2N 3906		transistor 2N 3906
Q0101	335763	TRANS 2N 3904		transistor 2N 3904
Q0103	330264	TRANS J 111		transistor J 111 A
Q0104	335763	TRANS 2N 3904		transistor 2N 3904
Q0105	348421	TRANS 2N 3906		transistor 2N 3906
Q0106	348422	TRANS MPSA 42		transistor MPSA 42
Q0107	348423	TRANS MPSA 92		transistor MPSA 92
Q0108	335763	TRANS 2N 3904		transistor 2N 3904
Q0109	348421	TRANS 2N 3906		transistor 2N 3906
Q0110	348422	TRANS MPSA 42		transistor MPSA 42
Q0111	348423	TRANS MPSA 92		transistor MPSA 92
Q0112	335763	TRANS 2N 3904		transistor 2N 3904
Q0113	348421	TRANS 2N 3906		transistor 2N 3906
Q0114	335763	TRANS 2N 3904		transistor 2N 3904



121715 DPA 4260 2X600W VERST.			
Pos. Nr.	Best. Nr.		
Ref. No.	Part No.	Bezeichnung	Description
Q0115	348421	TRANS 2N 3906	transistor 2N 3906
00010	338869	TRANS MJE 350	transistor MJE 350
00010	338868	TRANS MJE 340	transistor MJE 340
Q0118	348409	TRANS 2SC 4793	transistor 2SC 4793
Q0119	348421	TRANS 2N 3906	transistor 2N 3906
Q0120	335763	TRANS 2N 3904	transistor 2N 3904
Q0121	335763	TRANS 2N 3904	transistor 2N 3904
Q0122	348421	TRANS 2N 3906	transistor 2N 3906
Q0123	351981	TRANS MJL 3281 A	transistor MJL 3281 A
Q0124	351982	TRANS MJL 1302 A	transistor MJL 1302 A
Q0125	331657	TRANS MJ 15022	transistor MJ 15022
Q0126	331658	TRANS MJ 15023	transistor MJ 15023
Q0127	331657	TRANS MJ 15022	transistor MJ 15022
Q0128	331658	TRANS MJ 15023	transistor MJ 15023
Q0129	331657	TRANS MJ 15022	transistor MJ 15022
Q0130	331658	TRANS MJ 15023	transistor MJ 15023
Q0131	331657	TRANS MJ 15022	transistor MJ 15022
Q0132	331658	TRANS MJ 15023	transistor MJ 15023
Q0133	331657	TRANS MJ 15022	transistor MJ 15022
Q0134	331658	TRANS MJ 15023	transistor MJ 15023
Q0135	348422	TRANS MPSA 42	transistor MPSA 42
Q0136	348423	TRANS MPSA 92	transistor MPSA 92
Q0137	348423	TRANS MPSA 92	transistor MPSA 92
Q0138	348422	TRANS MPSA 42	transistor MPSA 42
Q0139	307911	TRANS BF 393	transistor BF 391
Q0140	307911	TRANS BF 393	transistor BF 391
Q0141	348423	TRANS MPSA 92	transistor MPSA 92
Q0142	348423	TRANS MPSA 92	transistor MPSA 92
Q0143	348421	TRANS 2N 3906	transistor 2N 3906
Q0144	348421	TRANS 2N 3906	transistor 2N 3906
Q0145	335763	TRANS 2N 3904	transistor 2N 3904
Q0146	306928	TRANS BC 560 C	transistor BC 560 C
Q0300	348421	TRANS 2N 3906	transistor 2N 3906
Q0301	335763	TRANS 2N 3904	transistor 2N 3904
Q0303	330264	TRANS J 111	transistor J 111 A
Q0304	335763	TRANS 2N 3904	transistor 2N 3904
Q0305	348421	TRANS 2N 3906	transistor 2N 3906
Q0306	348422	TRANS MPSA 42	transistor MPSA 42
Q0307	348423	TRANS MPSA 92	transistor MPSA 92
Q0308	335763	TRANS 2N 3904	transistor 2N 3904
Q0309	348421	TRANS 2N 3906	transistor 2N 3906
Q0310	348422	TRANS MPSA 42	transistor MPSA 42
Q0311	348423	TRANS MPSA 92	transistor MPSA 92
Q0312	335763	TRANS 2N 3904	transistor 2N 3904
Q0313	348421	TRANS 2N 3906	transistor 2N 3906
Q0314	335763	TRANS 2N 3904	transistor 2N 3904
Q0315	348421	TRANS 2N 3906	transistor 2N 3906
00010	338869	TRANS MJE 350	transistor MJE 350
00010	338868	TRANS MJE 340	transistor MJE 340
Q0318	348409	TRANS 2SC 4793	transistor 2SC 4793
Q0319	348421	TRANS 2N 3906	transistor 2N 3906
Q0320	335763	TRANS 2N 3904	transistor 2N 3904

121715 DPA 4260 2X600W VERST.				
Pos. Nr.	Best. Nr.			
Ref. No.	Part No.	Bezeichnung	Description	
Q0321	335763	TRANS 2N 3904	transistor 2N 3904	
Q0322	348421	TRANS 2N 3906	transistor 2N 3906	
Q0323	351981	TRANS MJL 3281 A	transistor MJL 3281 A	
Q0324	351982	TRANS MJL 1302 A	transistor MJL 1302 A	
Q0325	331657	TRANS MJ 15022	transistor MJ 15022	
Q0326	331658	TRANS MJ 15023	transistor MJ 15023	
Q0327	331657	TRANS MJ 15022	transistor MJ 15022	
Q0328	331658	TRANS MJ 15023	transistor MJ 15023	
Q0329	331657	TRANS MJ 15022	transistor MJ 15022	
Q0330	331658	TRANS MJ 15023	transistor MJ 15023	
Q0331	331657	TRANS MJ 15022	transistor MJ 15022	
Q0332	331658	TRANS MJ 15023	transistor MJ 15023	
Q0333	331657	TRANS MJ 15022	transistor MJ 15022	
Q0334	331658	TRANS MJ 15023	transistor MJ 15023	
Q0335	348422	TRANS MPSA 42	transistor MPSA 42	
Q0336	348423	TRANS MPSA 92	transistor MPSA 92	
Q0337	348423	TRANS MPSA 92	transistor MPSA 92	
Q0338	348422	TRANS MPSA 42	transistor MPSA 42	
Q0339	307911	TRANS BF 393	transistor BF 391	
Q0340	307911	TRANS BF 393	transistor BF 391	
Q0341	348423	TRANS MPSA 92	transistor MPSA 92	
Q0342	348423	TRANS MPSA 92	transistor MPSA 92	
Q0343	348421	TRANS 2N 3906	transistor 2N 3906	
Q0344	348421	TRANS 2N 3906	transistor 2N 3906	
Q0345	335763	TRANS 2N 3904	transistor 2N 3904	
Q0346	306928	TRANS BC 560 C	transistor BC 560 C	
Q0501	306928	TRANS BC 560 C	transistor BC 560 C	
Q0502	348422	TRANS MPSA 42	transistor MPSA 42	
Q0503	348422	TRANS MPSA 42	transistor MPSA 42	
Q0504	301184	TRANS BC 550 C	transistor BC 550 B	
Q0505	301184	TRANS BC 550 C	transistor BC 550 B	
Q0506	306928	TRANS BC 560 C	transistor BC 560 C	
Q0507	306928	TRANS BC 560 C	transistor BC 560 C	
R0037	348490	WI-SO NTC K 164/100K/J	safety component NTC	
R0065	348550	WI-SO NTC 10 OHM K	safety resistor 10 Ohm	
R0185	348456	WI-DR 2X 0.22 OHM 5.00W 5%	resistor 2x0.22 Ohm 5watt	
R0188	348456	WI-DR 2X 0.22 OHM 5.00W 5%	resistor 2x0.22 Ohm 5watt	
R0191	348456	WI-DR 2X 0.22 OHM 5.00W 5%	resistor 2x0.22 Ohm 5watt	
R0194	348456	WI-DR 2X 0.22 OHM 5.00W 5%	resistor 2x0.22 Ohm 5watt	
R0197	348456	WI-DR 2X 0.22 OHM 5.00W 5%	resistor 2x0.22 Ohm 5watt	
R0208	348593	WI-SO NTC K 164/2.2K	safety component NTC	
R0209	348593	WI-SO NTC K 164/2.2K	safety component NTC	
R0223	341713	WI-DR 4.70 OHM 4.00W 5%	resistor 4.70 Ohm 4watt	
R0225	341713	WI-DR 4.70 OHM 4.00W 5%	resistor 4.70 Ohm 4watt	
R0227	341713	WI-DR 4.70 OHM 4.00W 5%	resistor 4.70 Ohm 4watt	
R0385	348456	WI-DR 2X 0.22 OHM 5.00W 5%	resistor 2x0.22 Ohm 5watt	
R0388	348456	WI-DR 2X 0.22 OHM 5.00W 5%	resistor 2x0.22 Ohm 5watt	
R0391	348456	WI-DR 2X 0.22 OHM 5.00W 5%	resistor 2x0.22 Ohm 5watt	
R0394	348456	WI-DR 2X 0.22 OHM 5.00W 5%	resistor 2x0.22 Ohm 5watt	
R0397	348456	WI-DR 2X 0.22 OHM 5.00W 5%	resistor 2x0.22 Ohm 5watt	
R0408	348593	WI-SO NTC K 164/2.2K	safety component NTC	
R0409	348593	WI-SO NTC K 164/2.2K	safety component NTC	

121715 DPA 4260 2X600W VERST.					
Pos. Nr.	Best. Nr.	Bezeichnung			Description
Ref. No.	Part No.				
R0423	341713	WI-DR	4.70 OHM	4.00W 5%	resistor 4.70 Ohm 4watt
R0425	341713	WI-DR	4.70 OHM	4.00W 5%	resistor 4.70 Ohm 4watt
R0427	341713	WI-DR	4.70 OHM	4.00W 5%	resistor 4.70 Ohm 4watt
S0001	344037	SCHALTER-RAST 2XUM			switch dpdt latching
S0002	338886	SCHALTER-SCHIEBE L202-02-1-			switch slide
VR100	348486	WI-TRI	47.00 KOHM	LIN	pot trim 47k Ohm lin
VR101	348674	WI-TRI	250.00 OHM	LIN	pot trim 250 Ohm lin
VR300	348486	WI-TRI	47.00 KOHM	LIN	pot trim 47k Ohm lin
VR301	348674	WI-TRI	250.00 OHM	LIN	pot trim 250 Ohm lin
00030	303576	SICHER-HALTE-FEDER			fuse clip
00035	328390	SICHER-HALTER	FAU		fuse holder
00040	328391	SICHER-HALTER-KAPPE	FEK		fuse holder carrier
00075	354306	STIFTLEISTE 16POL			connector male 16-pin

813408 PCB-A:DPA4245/4260 N 5 pcb assy 81340					
CN01X	344862	MESSERLST. 8POL			connector male 8-pin
CN100	354692	STIFTLEISTE 3POL			connector male 3-pin
CN101	354692	STIFTLEISTE 3POL			connector male 3-pin
CN103	354177	BUCHSENLEISTE 12POL			connector female 12-pole
CN500	354886	STIFTLEISTE 2POL MC1.5/ 2			connector male 2-pole
C0100	329021	KO-KER	0.10MF	100V 20%	cap ceramic 100nF
C0101	329021	KO-KER	0.10MF	100V 20%	cap ceramic 100nF
C0102	301543	KO-KER	330.0PF	500V 10%	cap ceramic 330pF
C0103	301543	KO-KER	330.0PF	500V 10%	cap ceramic 330pF
C0104	301543	KO-KER	330.0PF	500V 10%	cap ceramic 330pF
C0105	301543	KO-KER	330.0PF	500V 10%	cap ceramic 330pF
C0106	301558	KO-KER	33.0PF	100V 2%	cap ceramic 33pF
C0107	301558	KO-KER	33.0PF	100V 2%	cap ceramic 33pF
C0108	301558	KO-KER	33.0PF	100V 2%	cap ceramic 33pF
C0109	301558	KO-KER	33.0PF	100V 2%	cap ceramic 33pF
C0110	340244	KO-FOL	0.330MF	63V 5%	cap mylar 330nF
C0111	340244	KO-FOL	0.330MF	63V 5%	cap mylar 330nF
C0112	340244	KO-FOL	0.330MF	63V 5%	cap mylar 330nF
C0113	340244	KO-FOL	0.330MF	63V 5%	cap mylar 330nF
C0114	340244	KO-FOL	0.330MF	63V 5%	cap mylar 330nF
C0115	340244	KO-FOL	0.330MF	63V 5%	cap mylar 330nF
C0116	343397	KO-FOL	1000.000PF	100V2.5%	cap mylar 1nF
C0117	343397	KO-FOL	1000.000PF	100V2.5%	cap mylar 1nF
C0118	326924	KO-FOL	2200.000PF	100V 5%	cap mylar 2200pF
C0119	326924	KO-FOL	2200.000PF	100V 5%	cap mylar 2200pF
C0120	340523	KO-EL	22.000MF	16V	cap electrolytic 22uF/16V
C0121	340523	KO-EL	22.000MF	16V	cap electrolytic 22uF/16V
C0122	340523	KO-EL	22.000MF	16V	cap electrolytic 22uF/16V
C0123	340523	KO-EL	22.000MF	16V	cap electrolytic 22uF/16V
C0124	340523	KO-EL	22.000MF	16V	cap electrolytic 22uF/16V
C0125	340523	KO-EL	22.000MF	16V	cap electrolytic 22uF/16V
C0126	329021	KO-KER	0.10MF	100V 20%	cap ceramic 100nF
C0127	329021	KO-KER	0.10MF	100V 20%	cap ceramic 100nF
C0128	329021	KO-KER	0.10MF	100V 20%	cap ceramic 100nF
C0129	329021	KO-KER	0.10MF	100V 20%	cap ceramic 100nF
D0104	304360	DIODE 1N 4007	GEGURTET		diode 1N 4002

121715 DPA 4260 2X600W VERST.				
Pos. Nr.	Best. Nr.			
Ref. No.	Part No.	Bezeichnung		Description
D0105	304360	DIODE 1N 4007	GEGURTET	diode 1N 4002
D0500	304360	DIODE 1N 4007	GEGURTET	diode 1N 4002
D0501	304360	DIODE 1N 4007	GEGURTET	diode 1N 4002
E0500	356594	RELAIS 793-P-1A-S-TV10		relay
H0100	343457	DICKS-NETZW.	8PIN 2%	res.network 8x10k
H0101	343457	DICKS-NETZW.	8PIN 2%	res.network 8x10k
I0100	327197	IC NE 5532 P	2FACH OP	IC NE 5532 N
I0102	327197	IC NE 5532 P	2FACH OP	IC NE 5532 N
I0103	327197	IC NE 5532 P	2FACH OP	IC NE 5532 N
I0104	327197	IC NE 5532 P	2FACH OP	IC NE 5532 N
JS100	351815	BUCHSE-FL. XLR 3POL	SW	xlr connector female 3-pole
JS101	351815	BUCHSE-FL. XLR 3POL	SW	xlr connector female 3-pole
S0100	344037	SCHALTER-RAST 2XUM		switch dpdt latching
S0500	349114	SCHALTER-NETZ		mains switch
VR100	343250	P-DREH 10KOHM LIN	B	potentiometer 10kohm lin
VR101	343250	P-DREH 10KOHM LIN	B	potentiometer 10kohm lin
00010	330269	FL.STECKER 6.3/0.8		connector 6.3mm faston

# MEMO