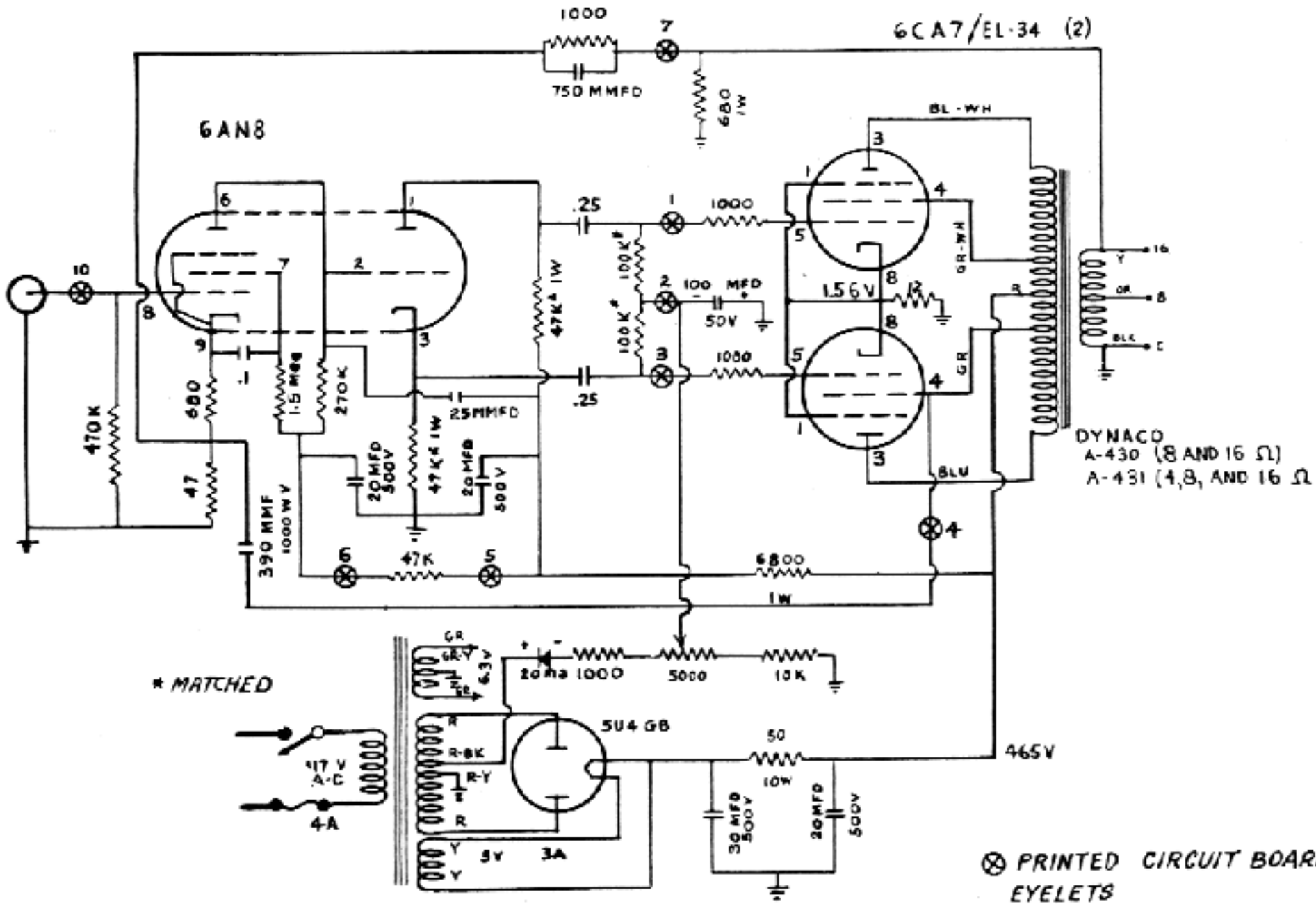


6CA7/EL-34 (2)



DYNACO  
A-430 (8 AND 16 Ω)  
A-431 (4, 8, AND 16 Ω)

\* MATCHED

⊗ PRINTED CIRCUIT BOARD EYELETS

DYNACO CIRCUIT AS USED IN THE DYNAKIT

(EYELETS 8 AND 9 ARE FILAMENT CONNECTIONS FOR 6AN8 TUBE)