

6

5

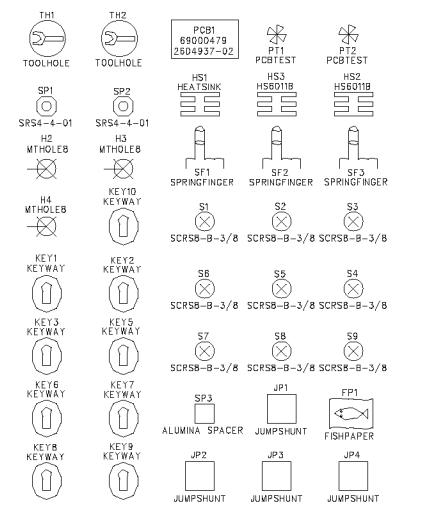
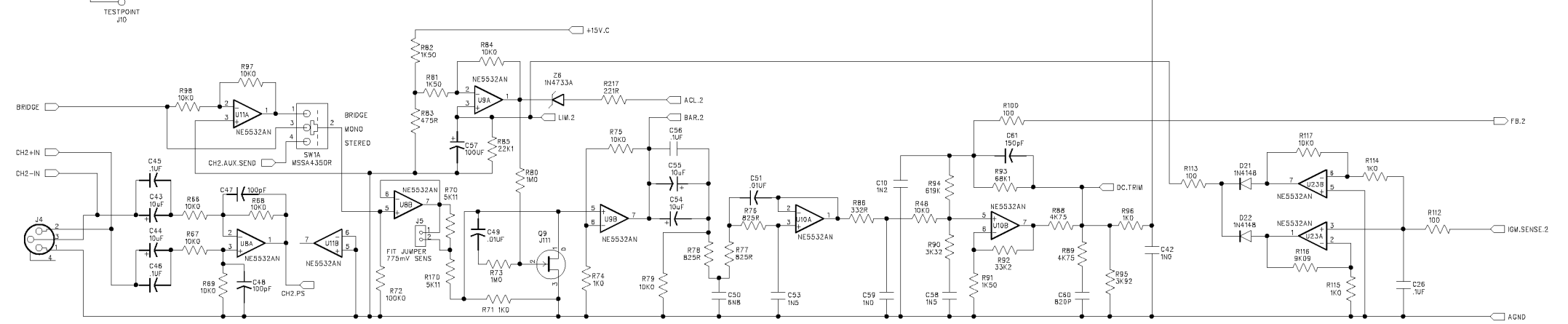
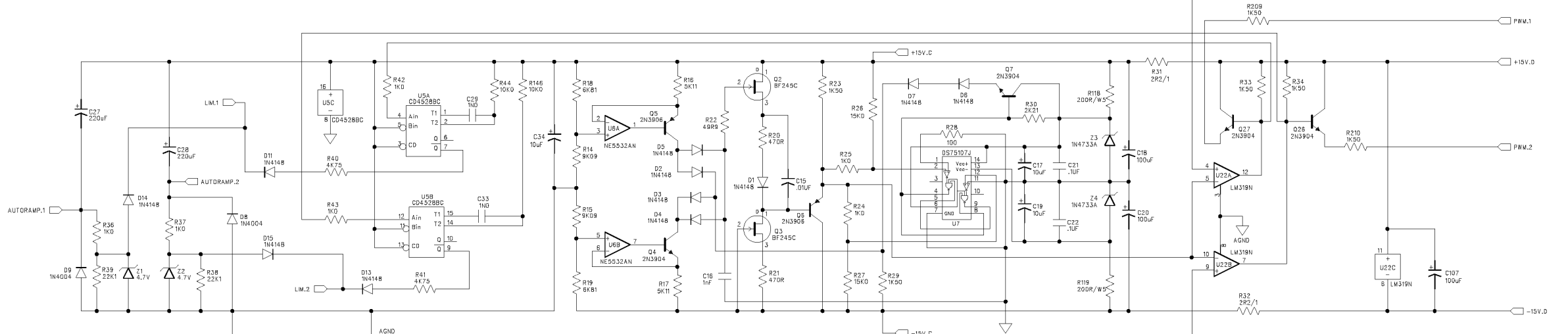
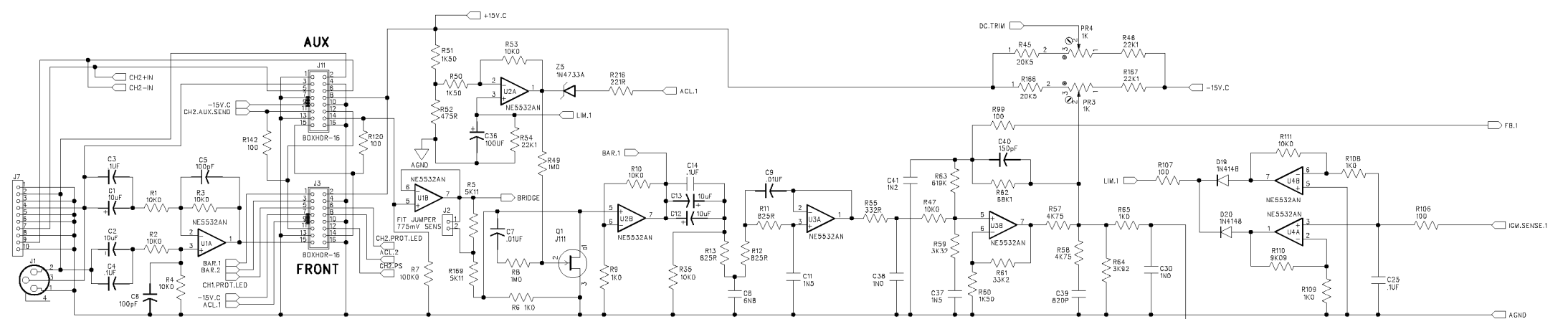
4

3

2

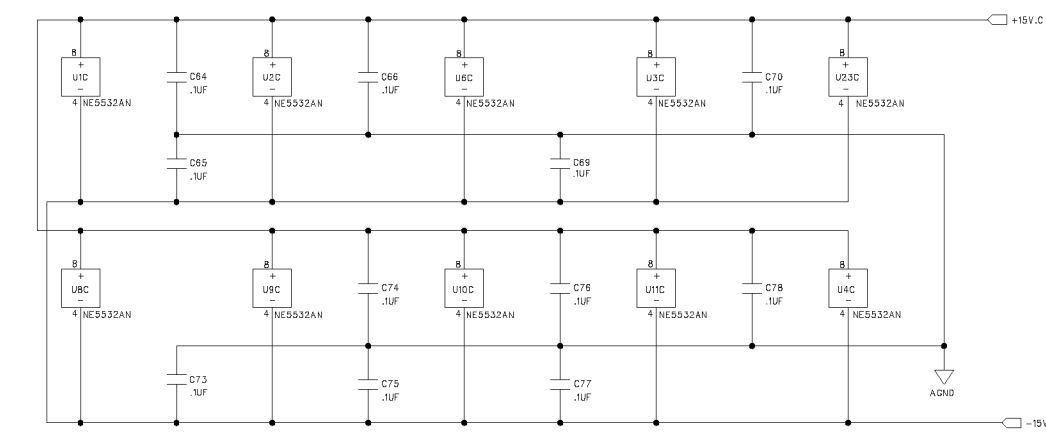
1

REVISION RECORD			
LTR	ECC NO.	APPROVED:	DATE:



MODEL DEPENDENT PARTS 98701557

MODEL	R110, 116	R111, 117	R47, 48	C89, 102, 124, 126	C100, 101, 123, 125	R140, 181
LT/ST 1000 98701587	13K7 (735-37)	15K0 (735-119)	15K0 (735-119)	4700UF 100V (18-126)		475R (735-178)
LT/ST 1500 98701568	11K8 (735-338)	12K7 (735-79)	12K7 (735-79)	4700UF 100V (18-126)	4700UF 100V (18-126)	475R (735-178)
LT/ST 2000 98701569	9K09 (735-304)	10K0 (735-36)	10K0 (735-36)	4700UF 125V (18-136)	4700UF 125V (18-136)	681R (735-85)



**CRESTAUDIO**

TITLE: **LT/ST SWITCHING AMPLIFIER**

DRAWN: **CS** DATED: **9-00**

CHECKED: DATED:

QUALITY CONTROL: DATED:

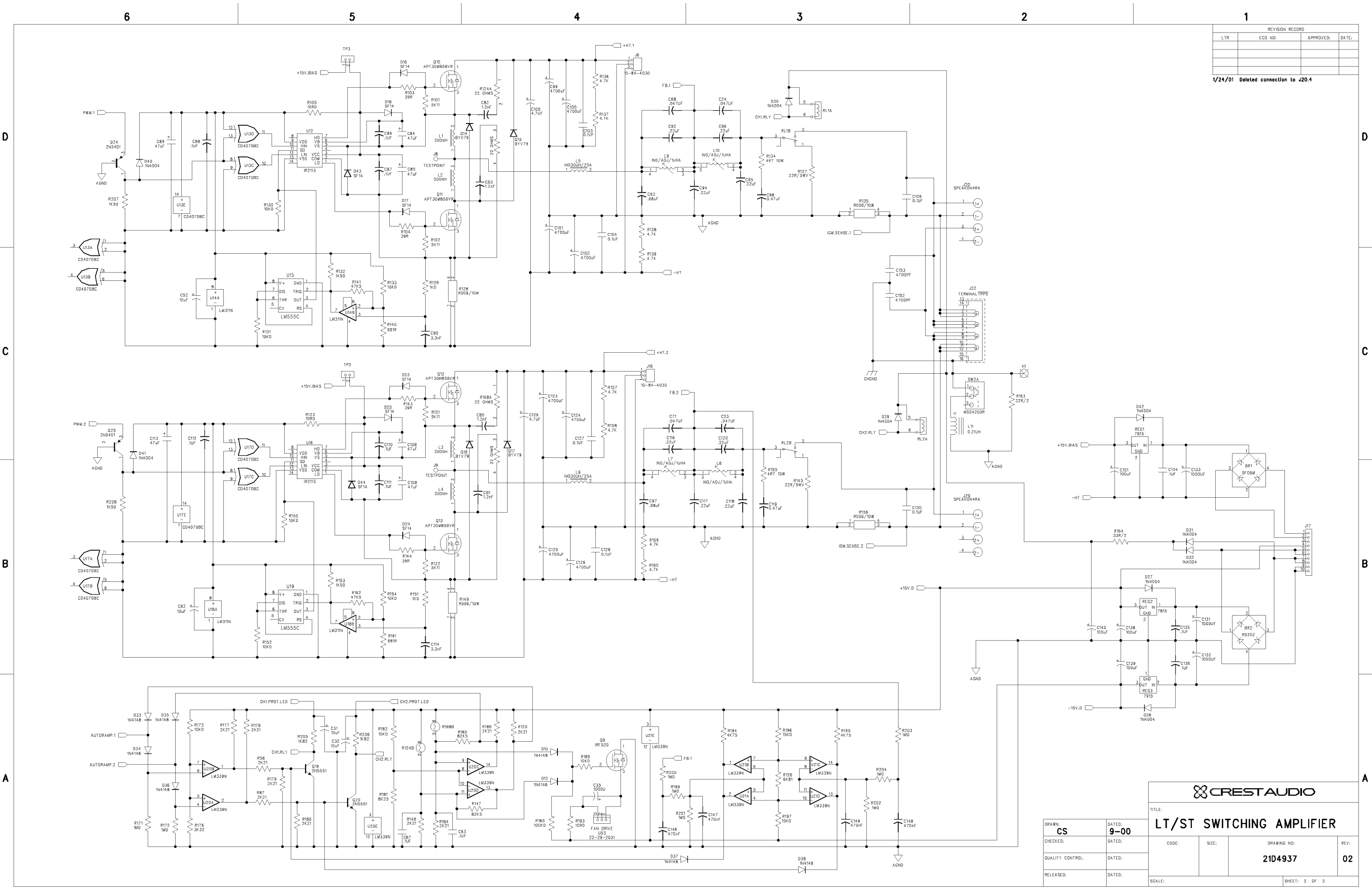
RELEASED: DATED:

CODE: SIZE: DRAWING NO: **21D4937** REV: **02**

SCALE: SHEET: 1 OF 2

REVISION RECORD			
LTR	ECC NO.	APPROVED:	DATE:

1/24/01 Deleted connection to J20.4



**CRESTAUDIO**

TITLE: **LT/ST SWITCHING AMPLIFIER**

DRAWN: <b>CS</b>	DATED: <b>9-00</b>	CODE:	SIZE:	DRAWING NO: <b>21D4937</b>	REV: <b>02</b>
CHECKED:	DATED:				
QUALITY CONTROL:	DATED:				
RELEASED:	DATED:				

SCALE: SHEET: 2 OF 2