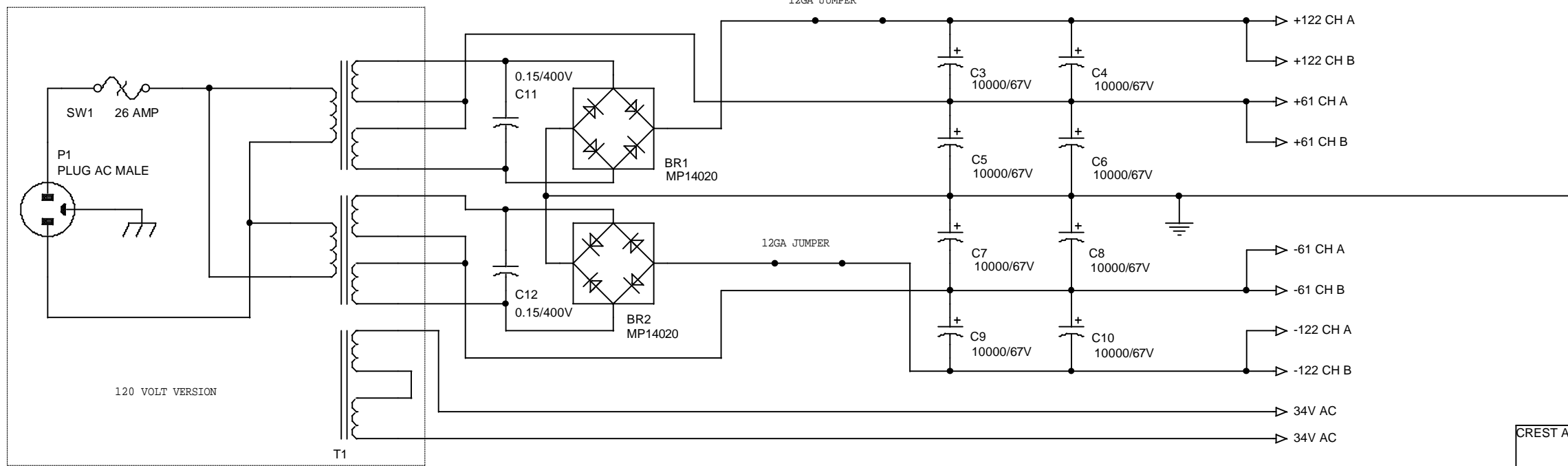
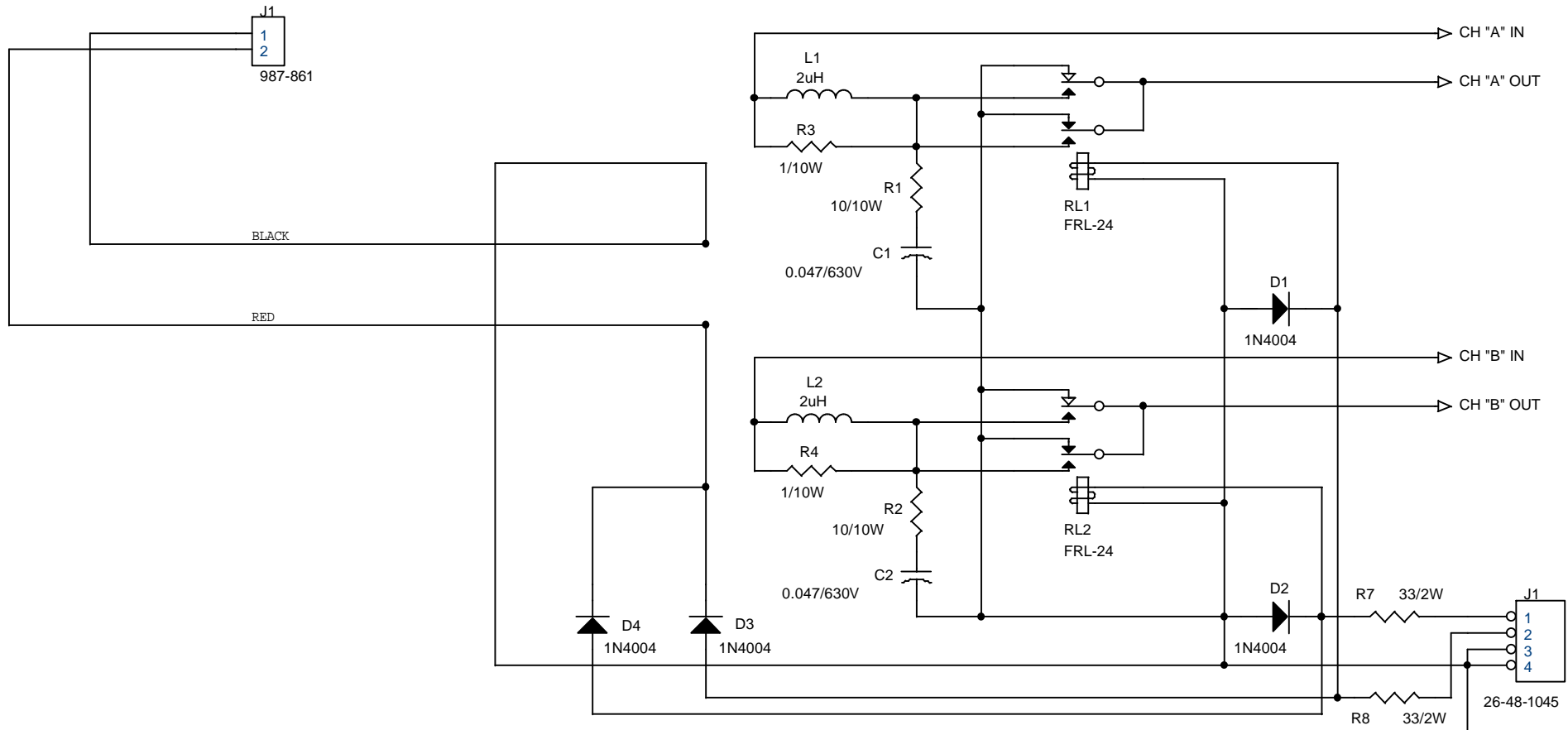
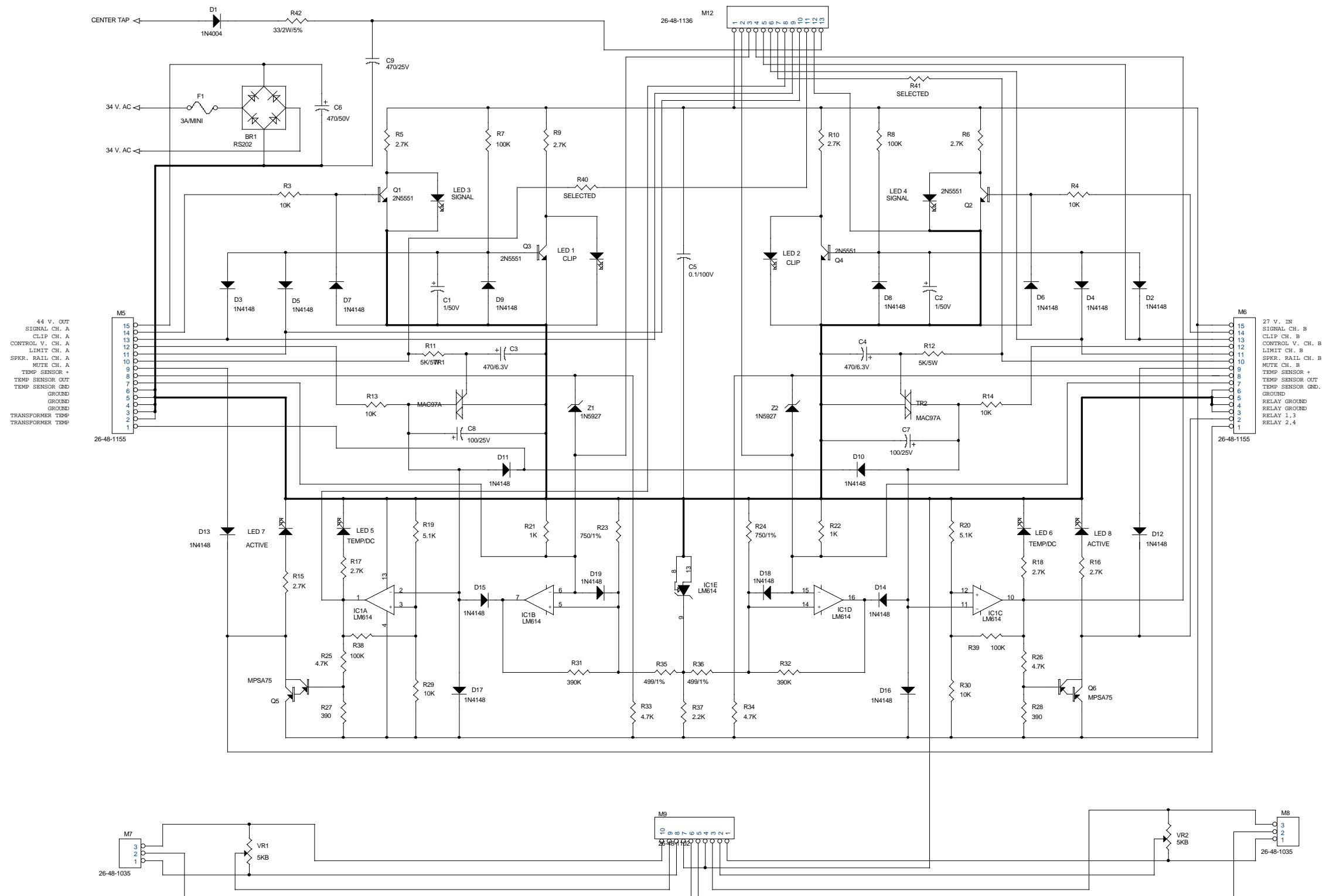


CREST AUDIO		
HAWTHORNE, NJ 07506		
Title		
6001/4801/3301 INPUT PCB		
Size	Document Number	Rev
A	21A1006	
Date:	Wednesday, May 17, 2000	Sheet 1 of 0

WIRE HARNESS TO SURGE PCB



CREST AUDIO INC.		
150 Florence Ave. Hawthorne, NJ 07506		
Title 6001/7001 POWER SUPPLY/RELAY PCB		
Size B	Document Number 21B0927-01.REV	Rev 01
Date: Wednesday, May 17, 2000	Sheet 1	of 1



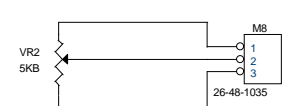
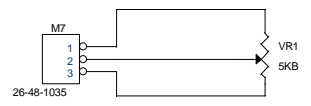
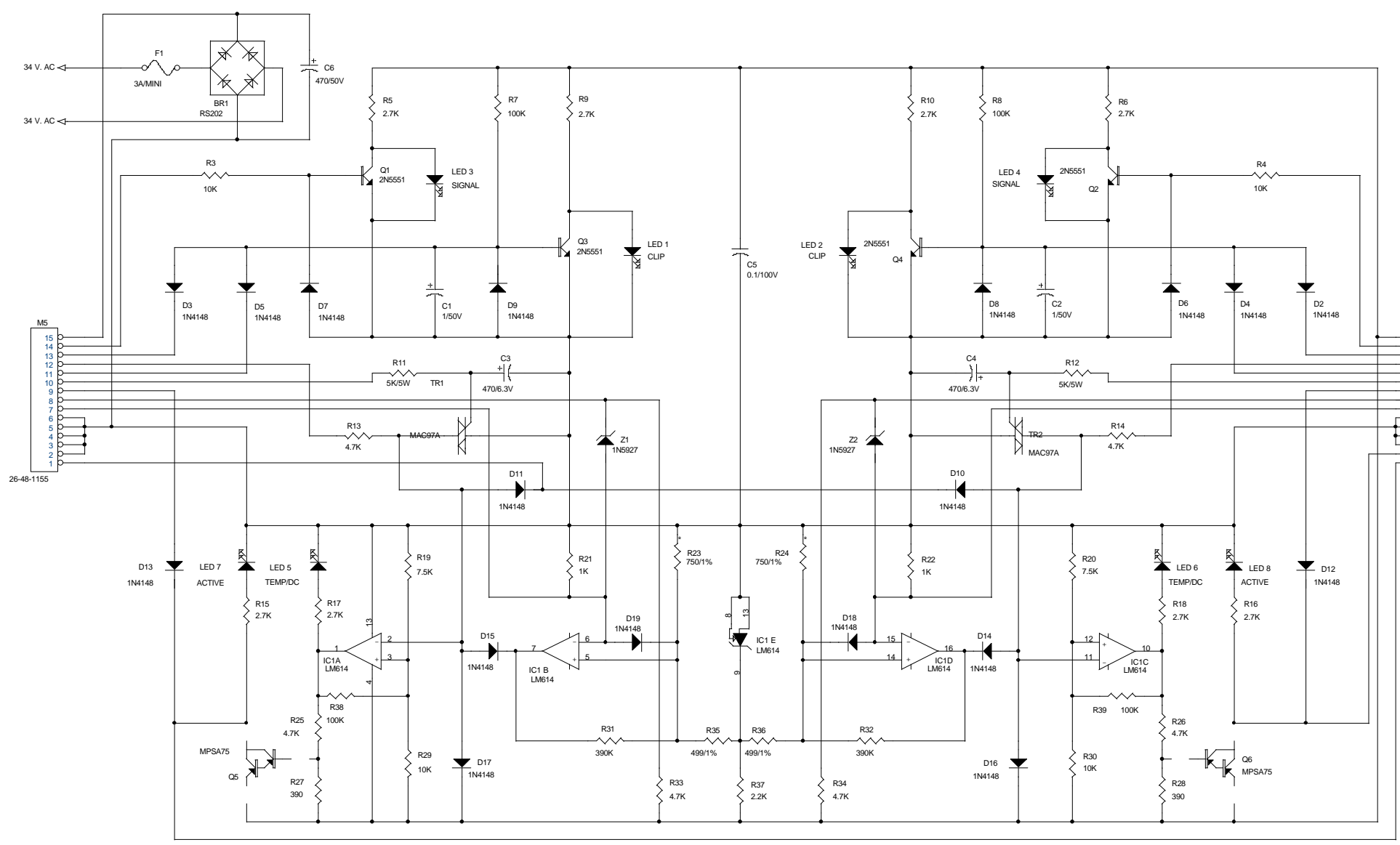
R40, R41 RESISTOR VALUES

MODEL	VALUE
3301	41.2K 1/4W/1%
4601	53.6K 1/4W/1%
4801	60.4K 1/4W/1%
6001	73.2K 1/4W/1%
7001	84.5K 1/4W/1%

CREST AUDIO INC.
 150 Florence Ave.
 Hawthorne, NJ 07506
 Title 7-6-48-46-3301 DISPLAY WINEXSYS CONTROL
 Size C Document Number 21C1095 Rev 02
 Date: Wednesday, May 17, 2000 Sheet 1 of 0

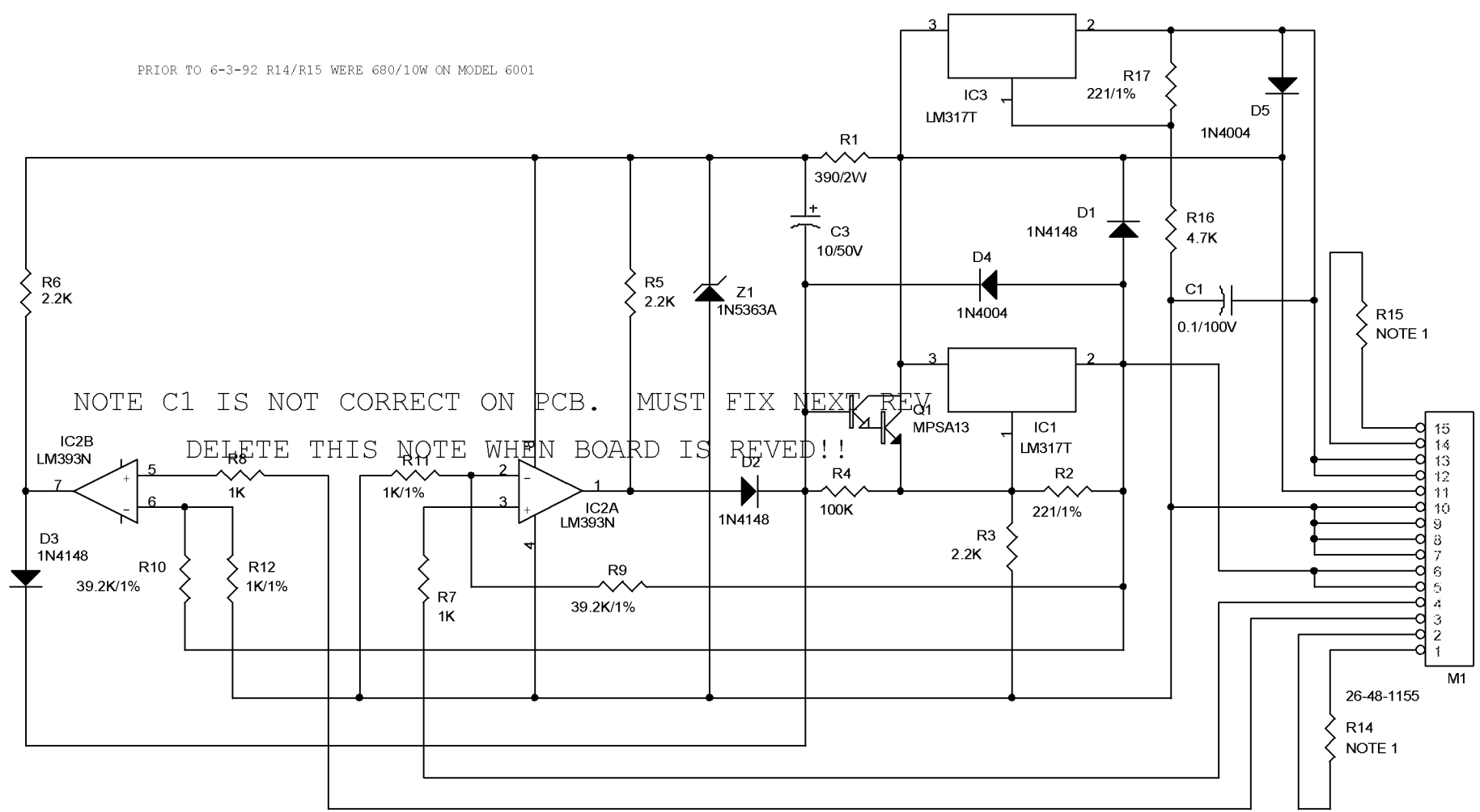
44 V. OUT
 SIGNAL CH. A
 CLIP CH. A
 CONTROL V. CH. A
 LIMIT CH. A
 SPKR. RAIL CH. A
 MUTE CH. A
 TEMP SENSOR +
 TEMP SENSOR OUT
 TEMP SENSOR GND
 GROUND
 GROUND
 TRANSFORMER TEMP
 TRANSFORMER TEMP

27 V. IN
 SIGNAL CH. B
 CLIP CH. B
 CONTROL V. CH. B
 LIMIT CH. B
 SPKR. RAIL CH. B
 MUTE CH. B
 TEMP SENSOR +
 TEMP SENSOR OUT
 TEMP SENSOR GND
 GROUND
 RELAY GROUND
 RELAY GROUND
 RELAY 1,3
 RELAY 2,4



* NOTE
 ON 7001 R23, R24 WILL CHANGE TO 1K/1K WITH UL APPROVAL

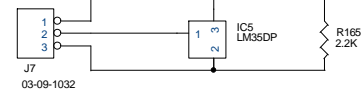
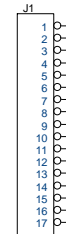
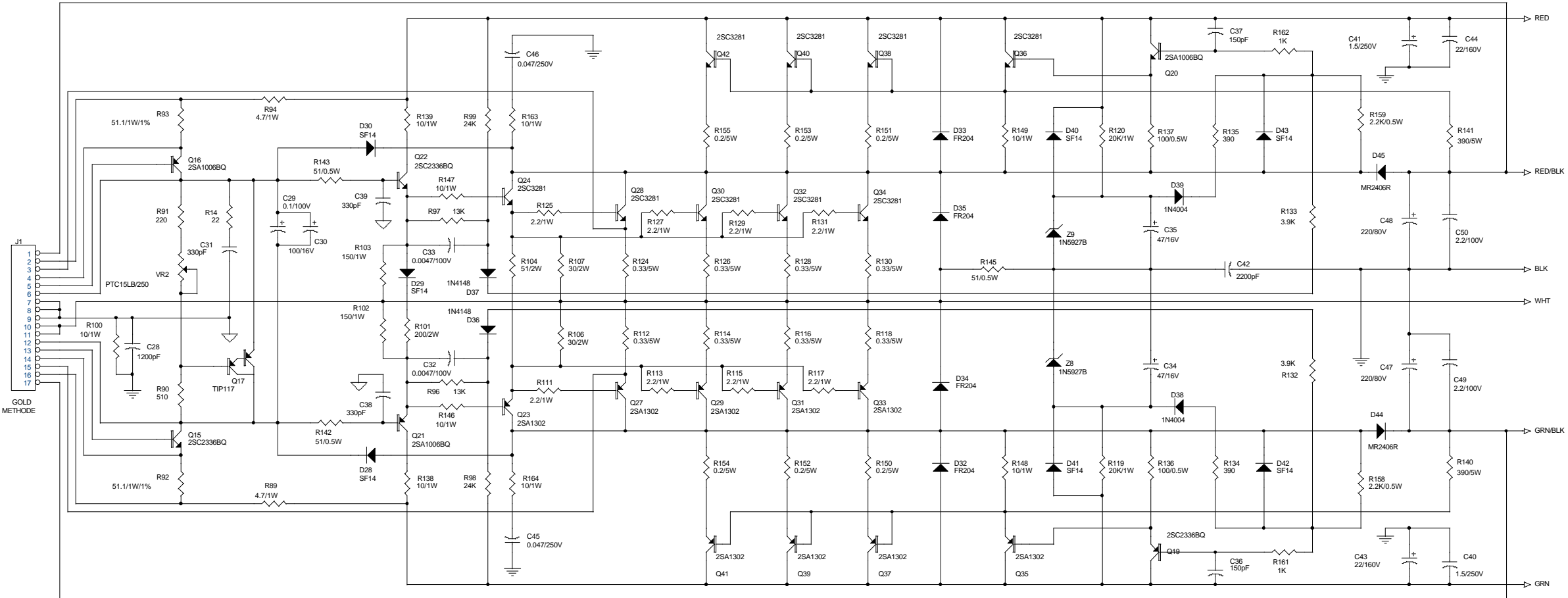
PRIOR TO 6-3-92 R14/R15 WERE 680/10W ON MODEL 6001



NOTE C1 IS NOT CORRECT ON PCB. MUST FIX NEXT REV.
 DELETE THIS NOTE WHEN BOARD IS REVED!!

NOTE 1: 680/10W ON 7001
 620/10W ON 6001
 1K/10W ON 3301
 1.1K/10W ON 4601

CREST AUDIO INC.		
150 Florence Ave. Hawthorne, NJ 07506		
Title 7001/6001/4601/3301 FAN DRIVER		
Size A	Document Number 21A0952	Rev
Date: Wednesday, May 17, 2000	Sheet 1	of 1



NOTE: Q30, Q31, NOT USED ON MODELS 4801, CC151
 R98, R99 ARE 39K ON MODEL CV601