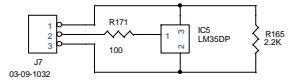
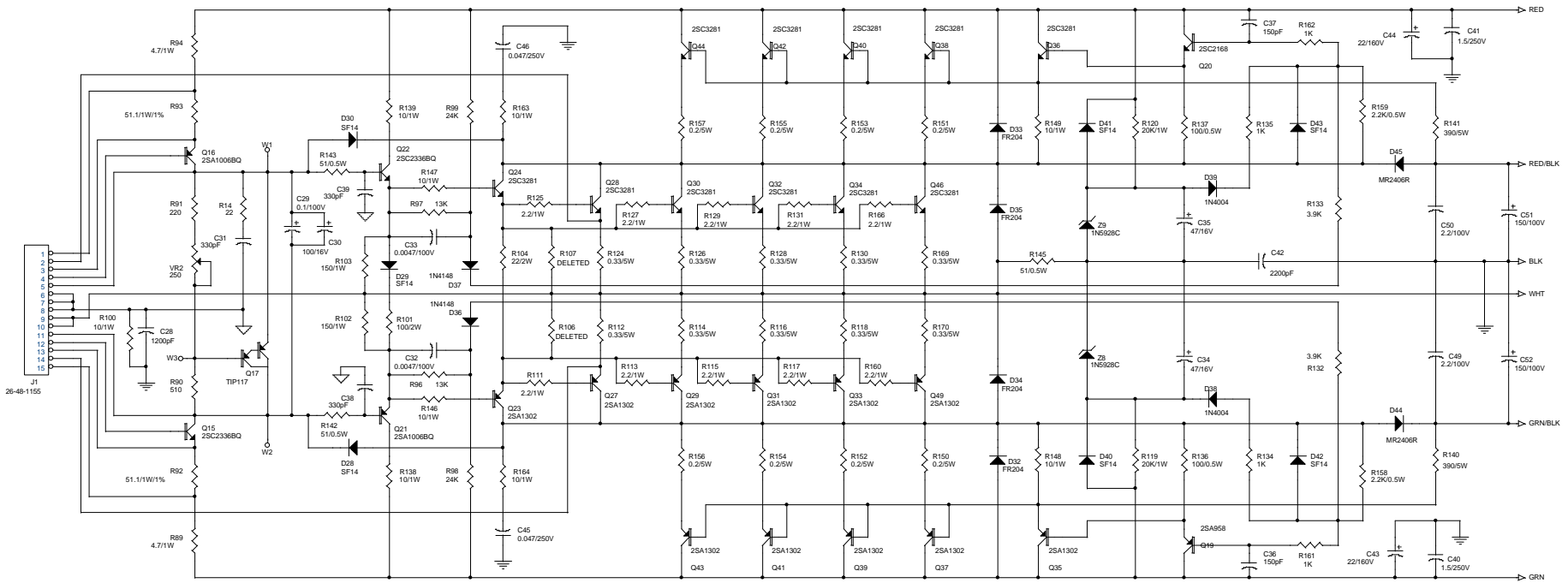


R7 - R10, R21 - R24, C11 - C14

CREST AUDIO		
100 EISENHOWER DRIVE PARAMUS, NJ 07652		
Title		
10K1/10K4 XLR		
Size	Document Number	Rev
C		
Date:	Friday, May 19, 2000	Sheet 0 of 0



03-09-1032

CREST AUDIO INC.		
100 EISENHOWER DRIVE		
PARAMUS, NJ 07652		
File	10004 OUTPUT MODULE	
Size	Document Number	Rev
C	21C1628	
Date:	Friday, May 12, 2000	Sheet 1 of 1

6

5

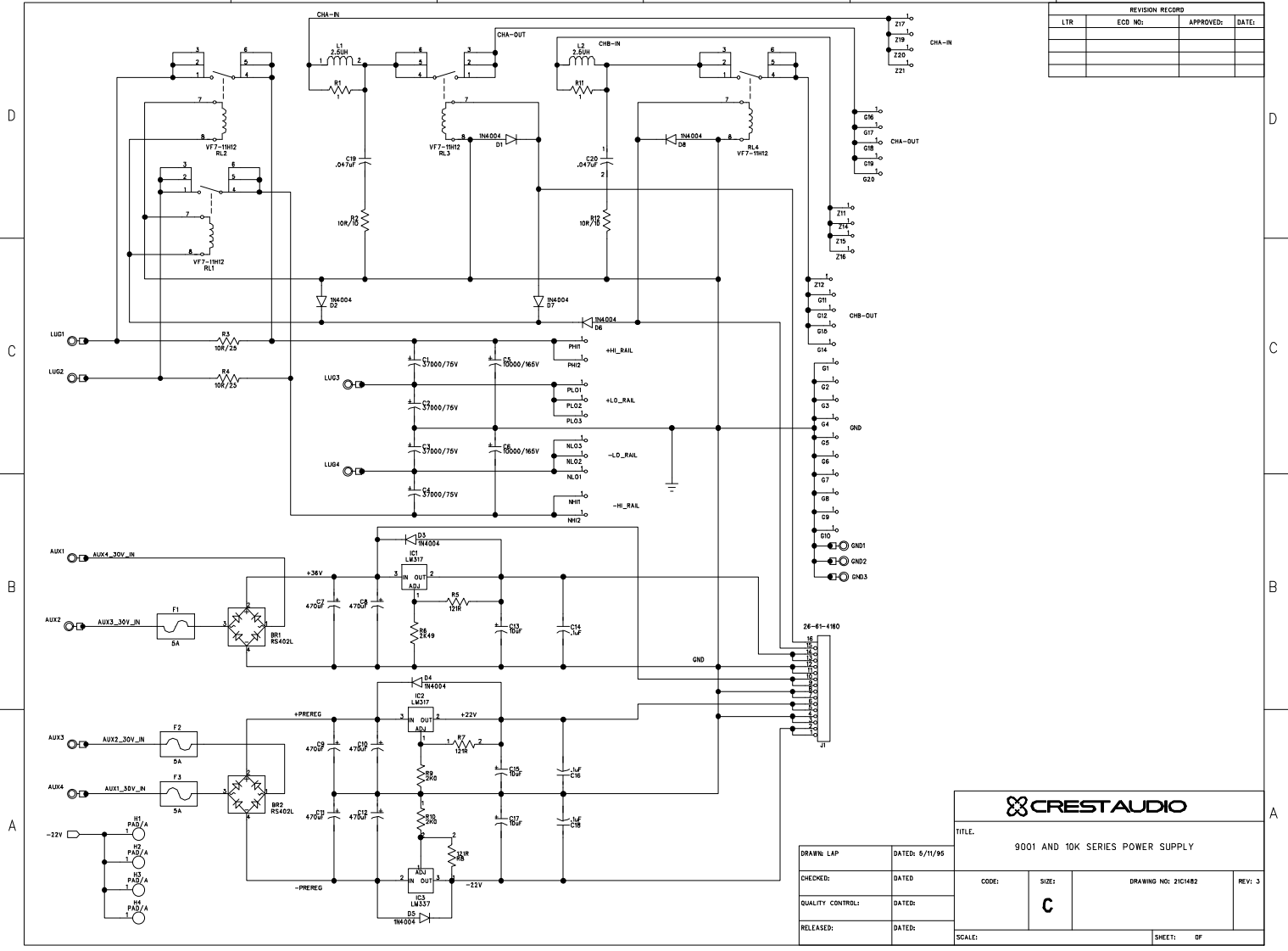
4

3

2

1

REVISION RECORD			
LTR	ECO NO.	APPROVED:	DATE:

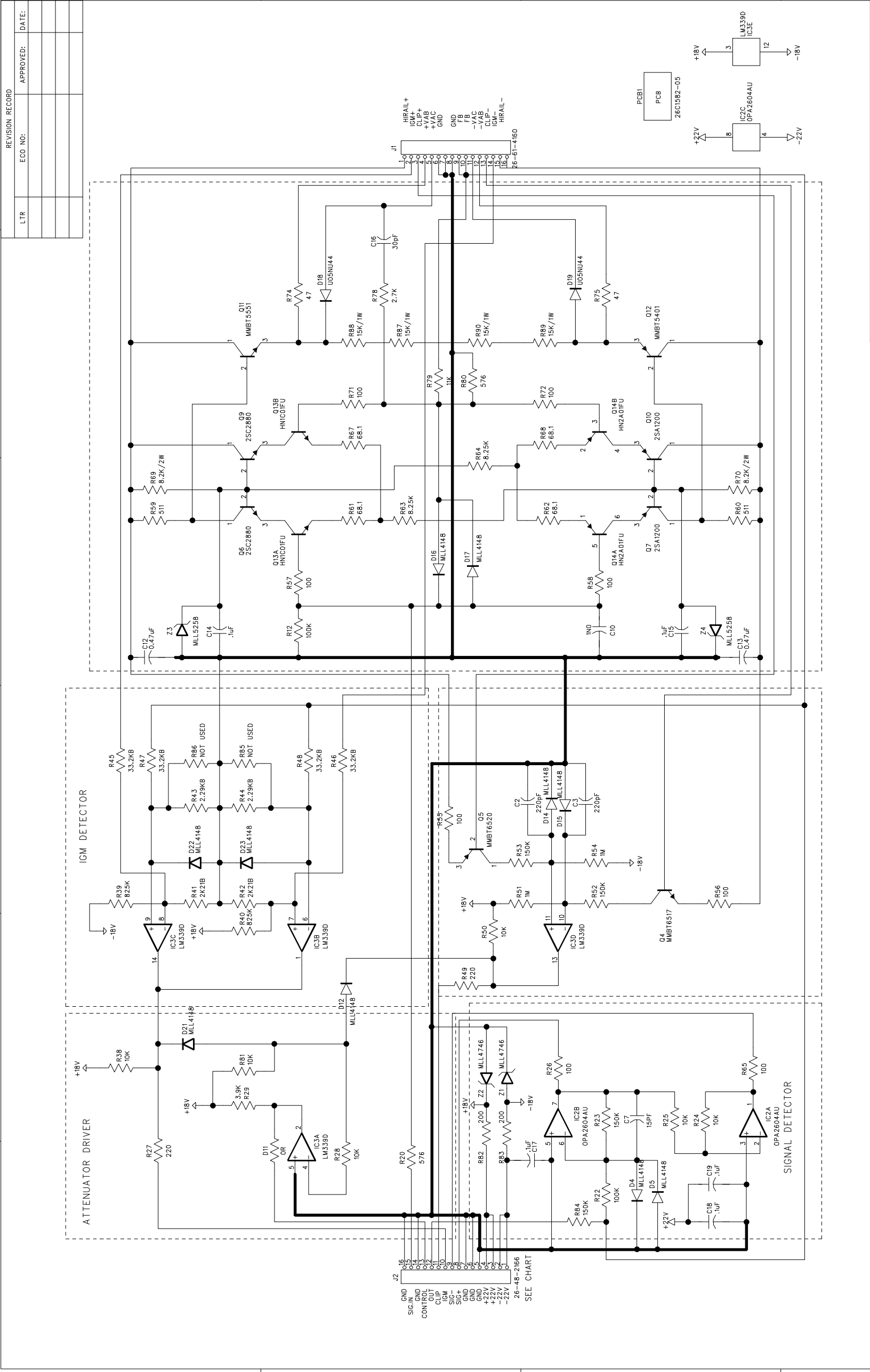


CREST AUDIO

TITLE:
9001 AND 10K SERIES POWER SUPPLY

CODE:	SIZE:	DRAWING NO: 21C1482	REV: 3
C			
SCALE:		SHEET: 0F	

DRAWN LAY	DATED: 5/11/95
CHECKED:	DATED:
QUALITY CONTROL:	DATED:
RELEASED:	DATED:



CREST AUDIO

TITLE: **10004 PREAMP**

DRAWN: LAP DATED: 1/96

CHECKED: DATED:

QUALITY CONTROL: DATED:

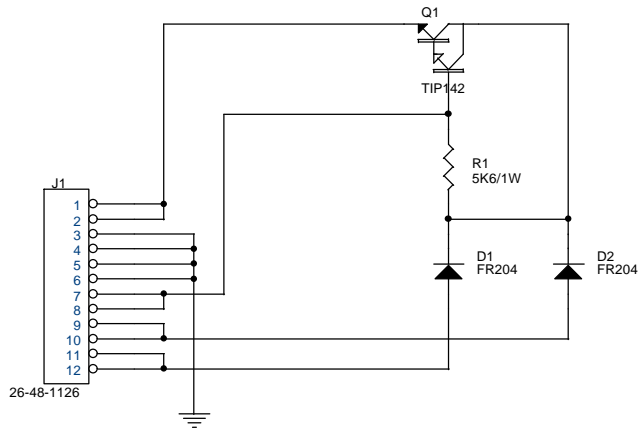
RELEASED: DATED:

CODE: SIZE: **C**

DRAWING NO: REV: **04**

SCALE: SHEET: 1 OF 1

- NOTES**
- REF DES OF PARTS CHANGED FOR CLAIR BROTHERS
R20 AND R80
 - ADDED D11
 - REPLACED D11 WITH 0 OHM JUMPER



CREST AUDIO		
100 EISENHOWER DRIVE PARAMUS, NJ 07652		
Title		1000X FAN DRIVER
Size	Document Number	Rev
A	21A1749	
Date:	Tuesday, May 16, 2000	Sheet 0 of 0

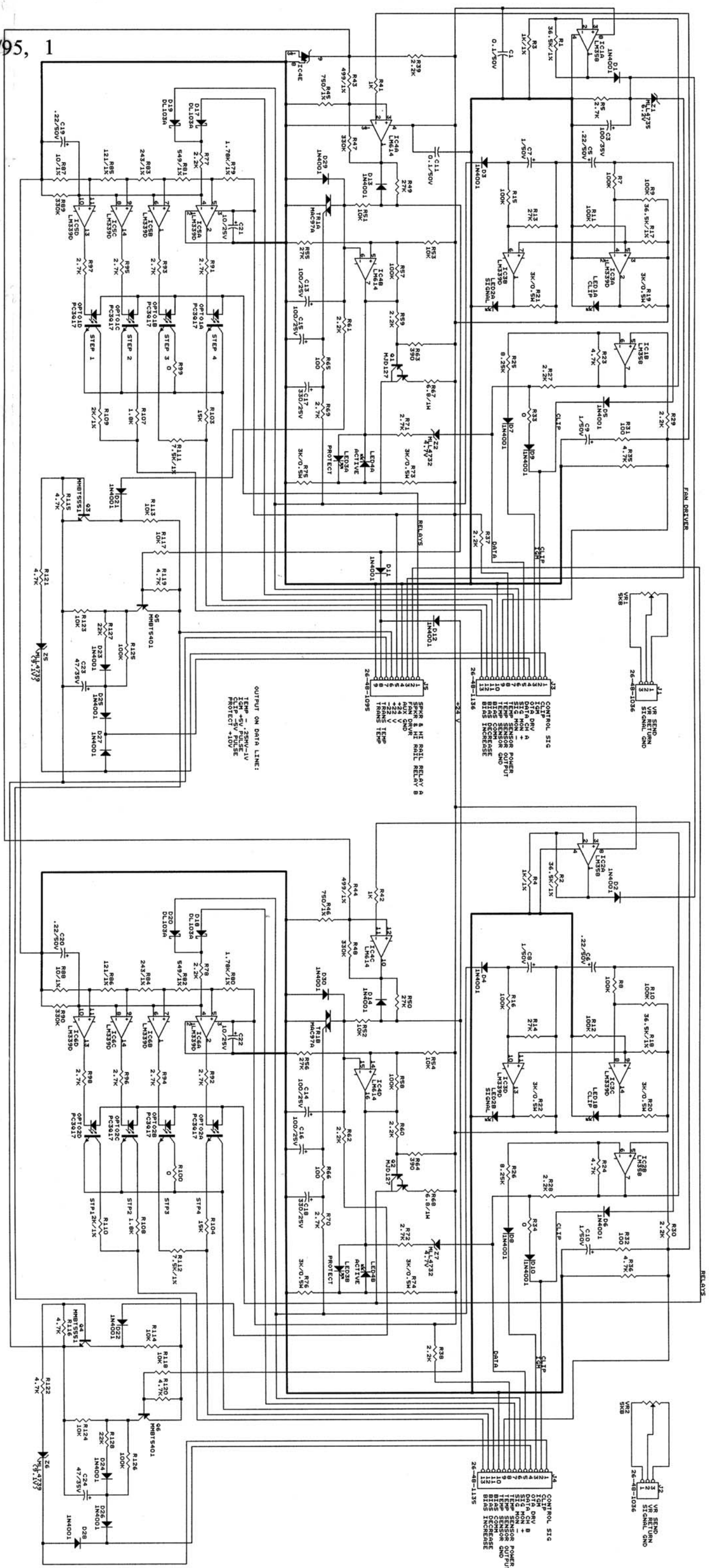


Schematic set

Pro Series 10004 power amplifiers

1. 10004 Input board
2. 10004 Input preamp
3. 10004 Power supply
4. 10001 / 10004 Fan board
5. 10004 Output module

10004 display 5/95, 1



OUTPUT ON DATA LINE:
 TEMP - .25MV-1V
 CTR - 5V PULSE
 PROTECT - +10V

- REV NOTES FOR 26C1640-Q2 & 26C1720-01
- 6/23/93 ADDED D11, D12 EFFECTIVE REV 01.
 - 8/30/93 ADDED D29, D30 ON BACK OF PCB. THEY WILL BE ON PCB EFFECTIVE PCB REV-01
 - 9/13/93 CHANGED C5, C6, C19, C20 FROM 16 VOLTS TO 50 VOLTS
 - 9/15/93 CHANGED R5 FROM 4.7K TO 2.7K
 - CHANGED R71, R72 FROM 2.2K TO 2.7K
 - CHANGED R35, R36 FROM 1K TO 4.7K
 - CHANGED R61, R62 FROM 100 TO 2.2K
 - CHANGED R119, R120 FROM 1K TO 4.7K
 - CHANGED Z1 FROM MLL4733 (4.7V) TO MLL4735 (6.2V)
 - CHANGED R25, R26 FROM 4.7K TO 2.2K
 - CHANGED Z3, Z4 FROM MLL4733 (4.7V) TO MLL4735 (5.1V)
 - 11/02/93 CHANGED R117, R118 FROM 4.7K TO 10K
 - 11/30/93 CHANGED R25, R26 FROM 2.2K TO 8.25K
 - DELETED Z3, Z4 (WERE IN PARALLEL WITH R23, R24)

9001 ONLY
 (1) R65, R66 ARE 2.7K
 (2) R115, R116 ARE 470 OHM