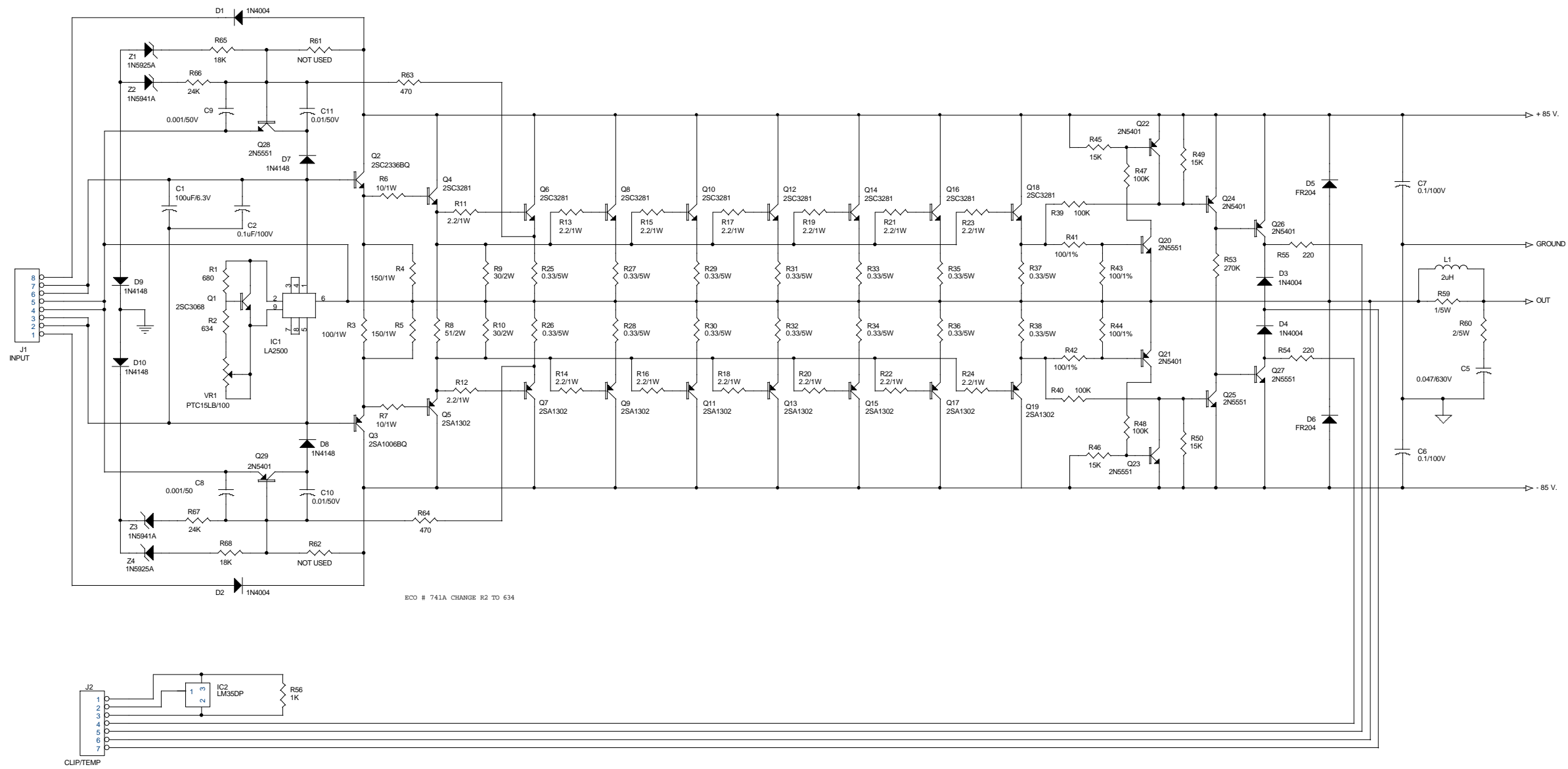
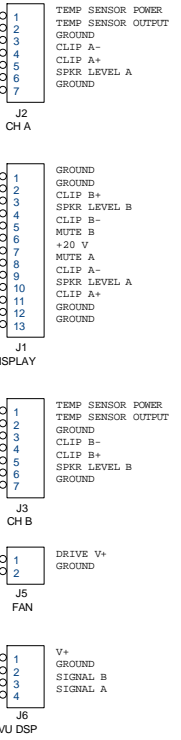
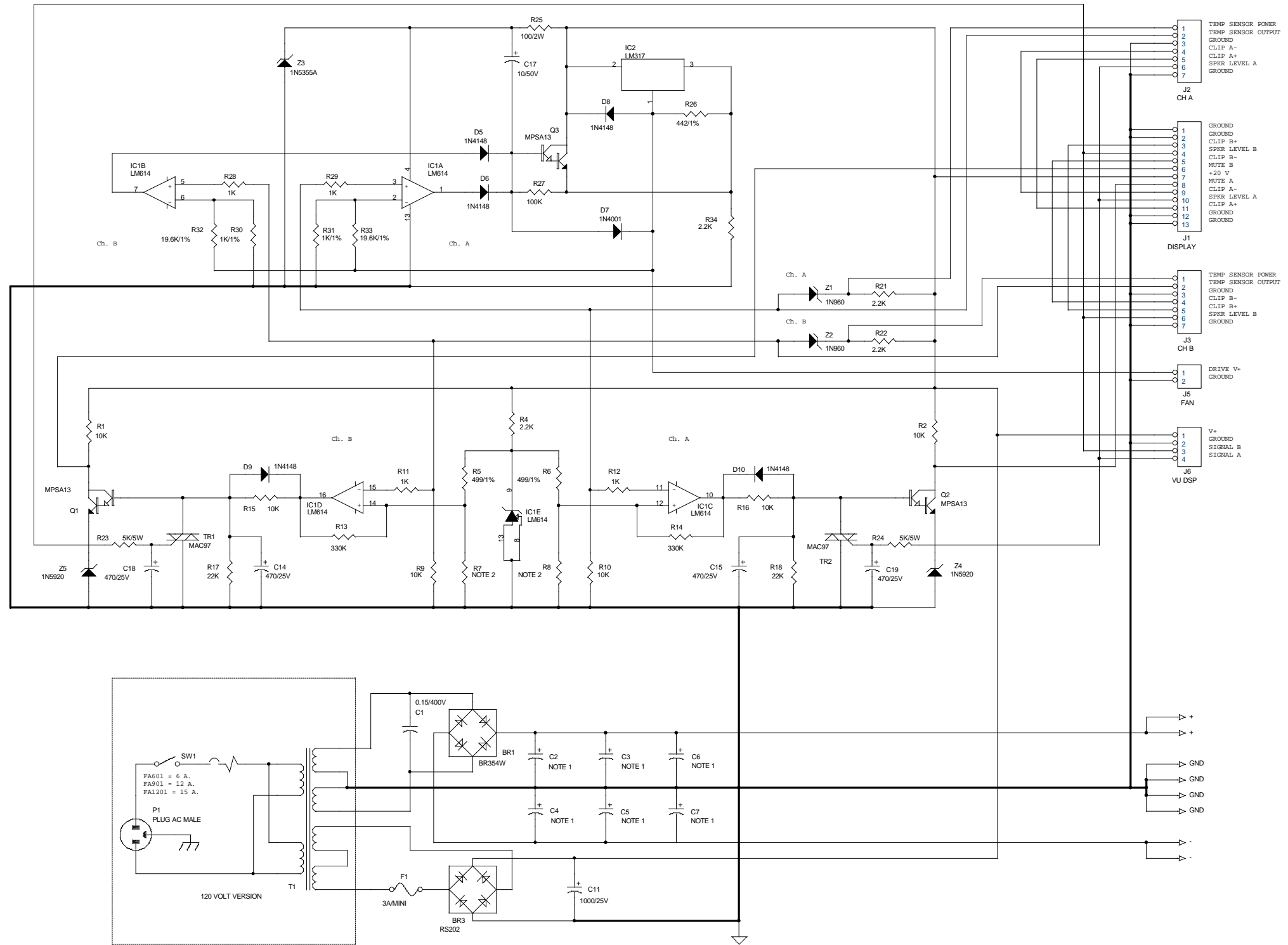


- NOTE 1:  
 FA601 = 13.3K/1%  
 FA901 = 12.7K/1%  
 FA1201 = 12.4K/1%  
 FA2401 = 12.4K/1%
- NOTE 2:  
 FA601 = 30.1K/1%  
 FA901 = 36.5K/1%  
 FA1201 = 40.2K/1%  
 FA2401 = 44.2K/1%
- NOTE 3:  
 FA601 = 680/10W  
 FA901 = 820/10W  
 FA1201 = 1K/10W

CREST AUDIO INC.  
 150 Florence Avenue  
 Hawthorne, NJ 07506  
 Title  
 PREAMP/DRIVER FOR FA SERIES  
 Size B Document Number 21B0982 Rev  
 Date: Thursday, January 24, 2002 Sheet 1 of 1



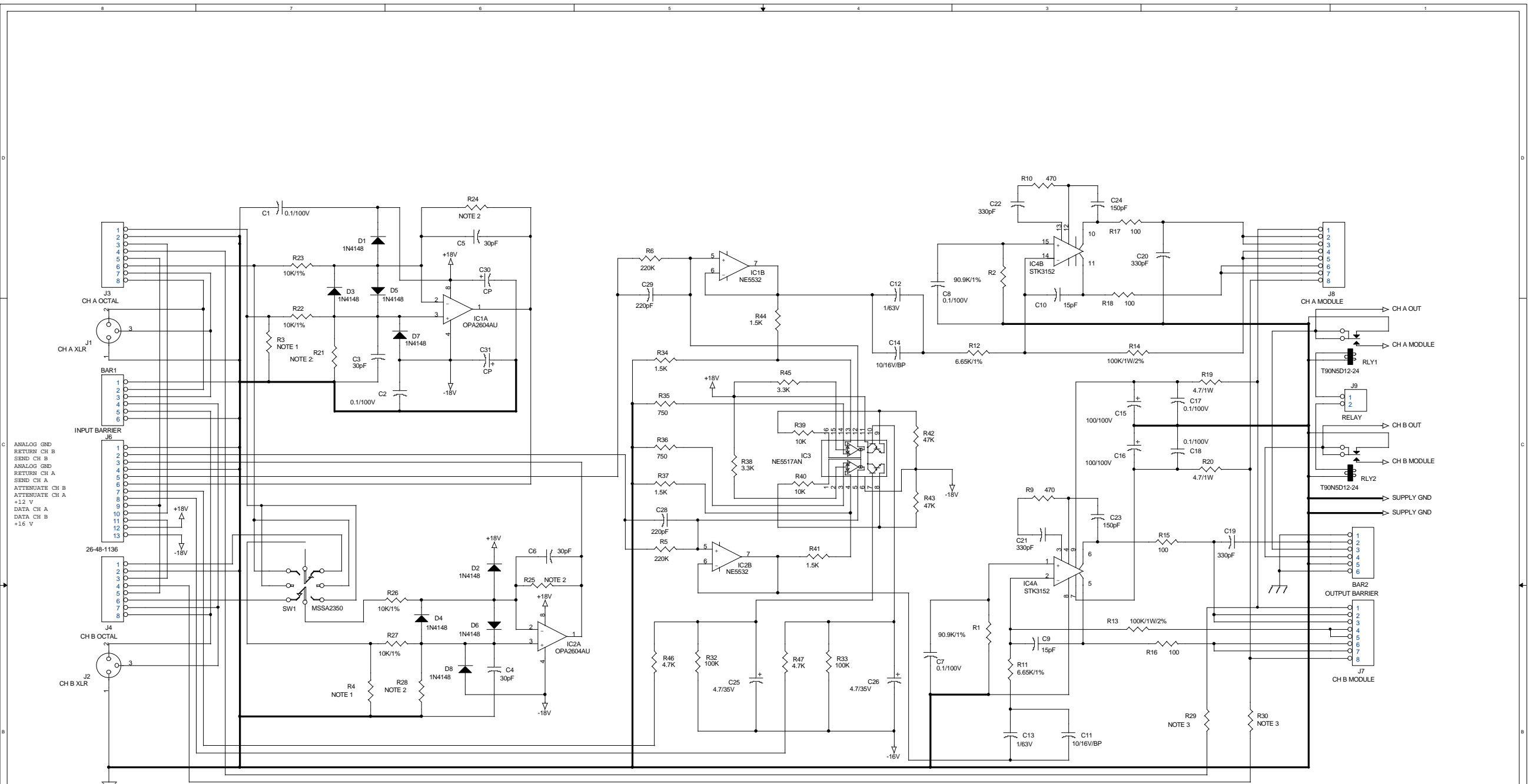
CREST AUDIO INC.		
150 Florence Ave. Hawthorne, NJ 07506		
Title FA1201/FA2401 OUTPUT STAGE		
Size C	Document Number 21C0983	Rev 1
Date: Thursday, January 24, 2002	Sheet 1	of 1



NOTE 1 C2 - C7 ARE 6,800µF/90V ON MODEL FA1201  
 C2 - C5 ARE 7,300µF/80V ON MODEL FA901. C6, C7 ARE NOT USED  
 C2 & C4 ARE 10,000µF/67V ON MODEL FA601. C3, C5, C6, C7 ARE NOT USED

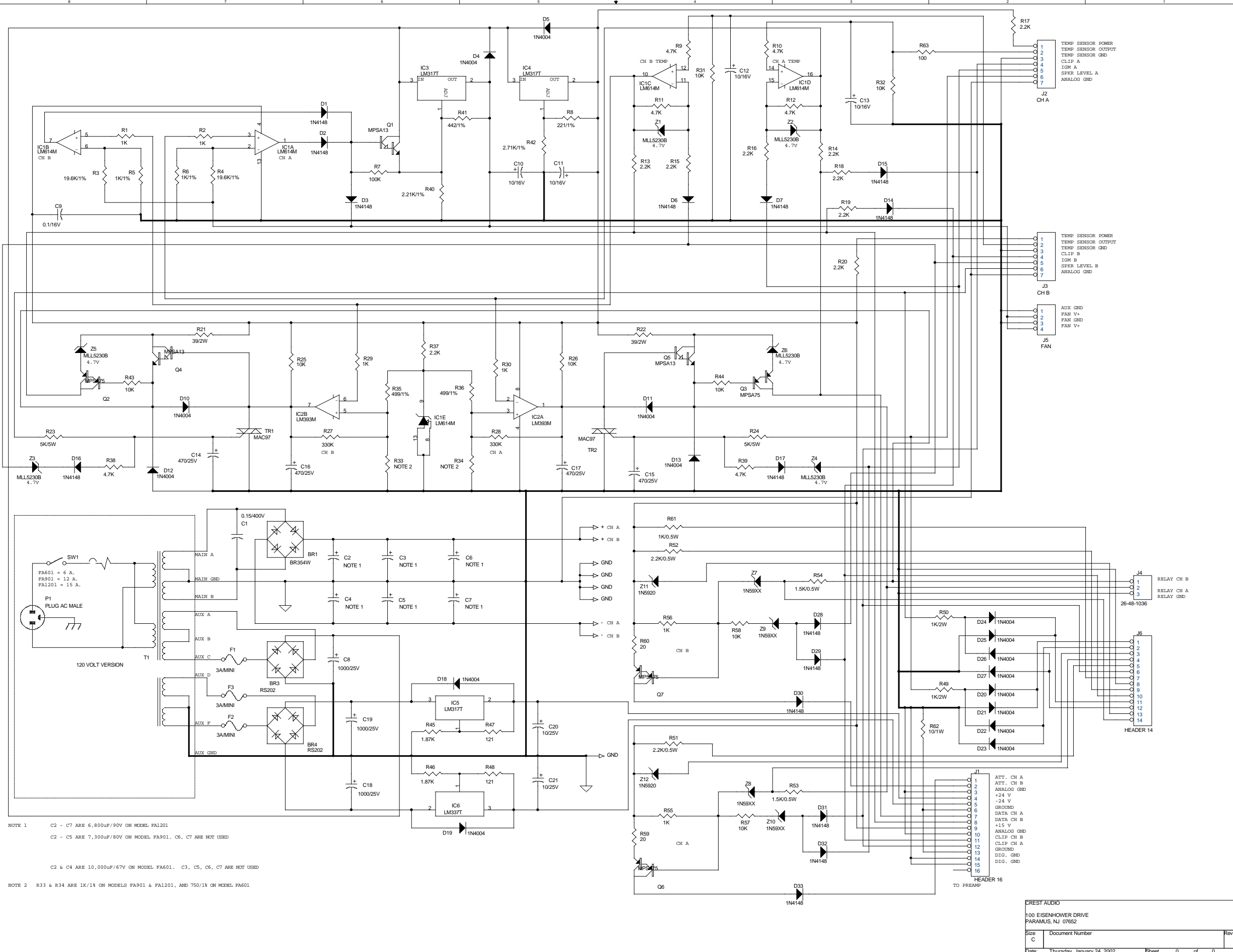
NOTE 2 R7 & R8 ARE 1K/1% ON MODELS FA901 & FA1201, AND 750/1% ON MODEL FA601

CREST AUDIO INC.  
 150 Florence Ave.  
 Hawthorne, NJ 07506  
 Title FA SERIES POWER SUPPLY/FAN DRIVER  
 Size C Document Number 21C0998 Rev 2  
 Date: Thursday, January 24, 2002 Sheet 1 of 1



10/13/92 CHANGED J6 TO 13 PIN

- NOTE 1: FA601 = 13.3K/1%  
 FA901 = 12.7K/1%  
 FA1201 = 12.4K/1%  
 FA2401 = 12.4K/1%
- NOTE 2: FA601 = 30.1K/1%  
 FA901 = 36.5K/1%  
 FA1201 = 40.2K/1%  
 FA2401 = 44.2K/1%
- NOTE 3: FA601 = 680/10W  
 FA901 = 820/10W  
 FA1201 = 1K/10W  
 FA2401 = 1K/10W
- NOTE 4: FA601 = 1.3K/7W  
 FA901 = 1K/7W  
 FA1201 = 1.2K/7W  
 FA2401 = 1.2K/7W



J2 CH A  
 1 TEMP SENSOR POWER  
 2 TEMP SENSOR OUTPUT  
 3 TEMP SENSOR GND  
 4 CLIP A  
 5 IGM A  
 6 SPKR LEVEL A  
 7 ANALOG GND

J3 CH B  
 1 TEMP SENSOR POWER  
 2 TEMP SENSOR OUTPUT  
 3 TEMP SENSOR GND  
 4 CLIP B  
 5 IGM B  
 6 SPKR LEVEL B  
 7 ANALOG GND

J5 FAN  
 1 AUX GND  
 2 FAN V+  
 3 FAN GND  
 4 FAN V+

J4 RELAY CH B  
 1 RELAY CH A  
 2 RELAY GND

J6  
 1  
 2  
 3  
 4  
 5  
 6  
 7  
 8  
 9  
 10  
 11  
 12  
 13  
 14  
 15  
 16  
 HEADER 14

J1  
 1 ATT. CH A  
 2 ATT. CH B  
 3 ANALOG GND  
 4 +24 V  
 5 -24 V  
 6 GROUND  
 7 DATA CH A  
 8 DATA CH B  
 9 +15 V  
 10 ANALOG GND  
 11 CLIP CH B  
 12 CLIP CH A  
 13 GROUND  
 14 DIG. GND  
 15 DIG. GND  
 16 DIG. GND  
 TO PREAMP

NOTE 1 C2 - C7 ARE 6,800uF/90V ON MODEL FA1201  
 C2 - C5 ARE 7,300uF/80V ON MODEL FA901. C6, C7 ARE NOT USED  
 C2 & C4 ARE 10,000uF/67V ON MODEL FA601. C3, C5, C6, C7 ARE NOT USED

NOTE 2 R33 & R34 ARE 1K/1% ON MODELS FA901 & FA1201, AND 750/1% ON MODEL FA601