

6

5

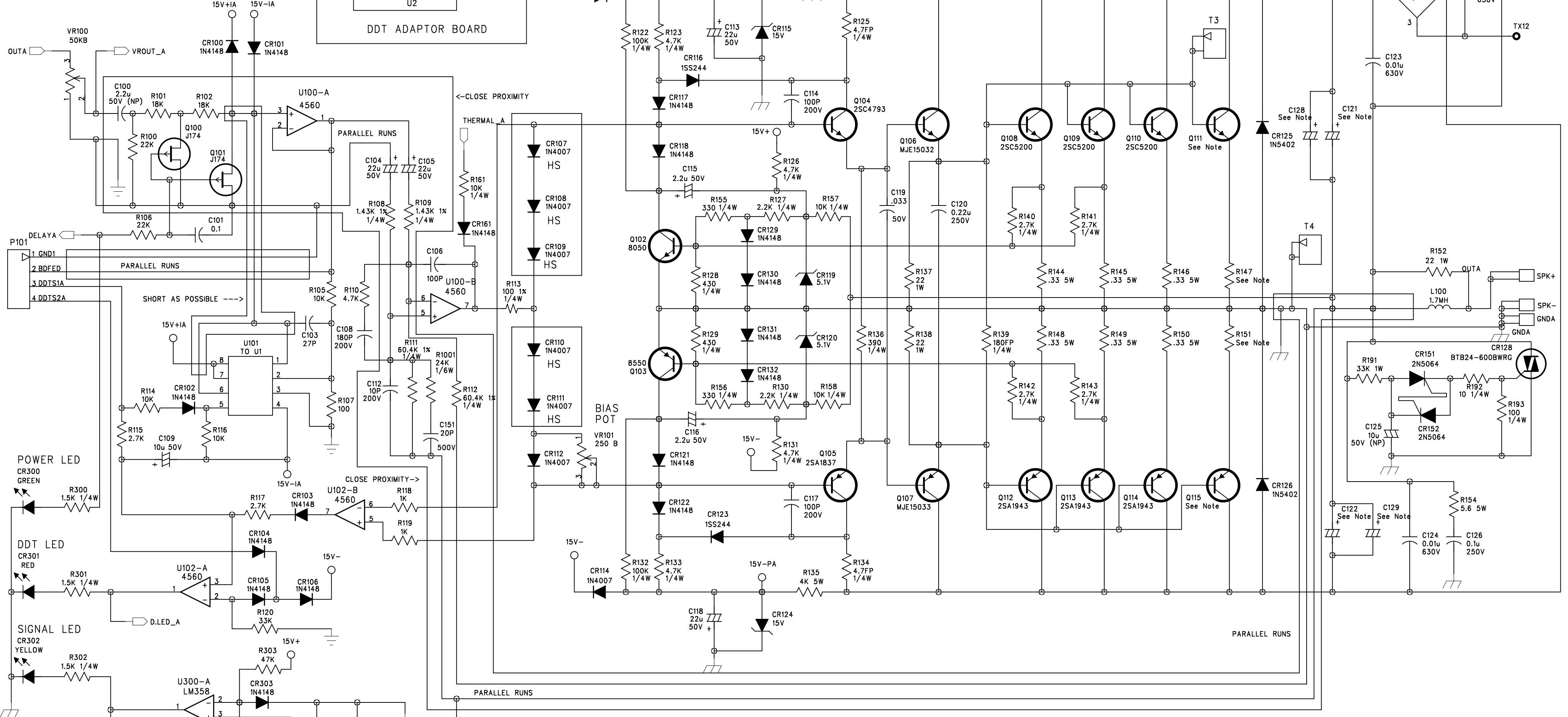
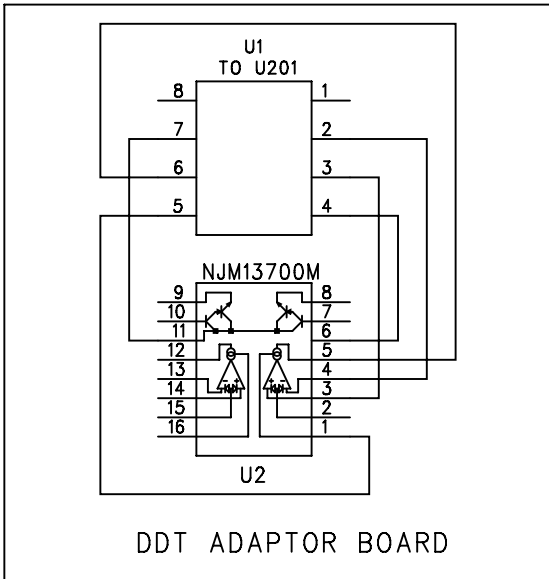
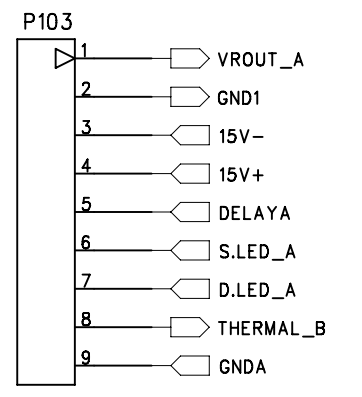
4

3

2

1

| REVISION RECORD | | | |
|-----------------|---------|-----------|-------|
| LTR | ECO NO: | APPROVED: | DATE: |
| | | | |
| | | | |
| | | | |



Note:

| | | | |
|------|------|-----------|------------|
| C121 | C122 | 4700u/80V | 3300u/100V |
| C128 | C129 | N.I. | 3300u/100V |
| Q111 | N.I. | | 2SC5200 |
| Q115 | N.I. | | 2SA1943 |
| R147 | R151 | N.I. | .33 5W |

COMPANY: Crest Audio Inc.

TITLE: CPX900/1500 POWER AMPLIFIER (CH. A)

| CODE: | SIZE: | DRAWING NO: | REV: |
|----------|-------|-------------|------|
| CPX-1500 | | | A |

SCALE: SHEET: 2 OF 4

| | |
|------------------|--------|
| DRAWN: | DATED: |
| CHECKED: | DATED: |
| QUALITY CONTROL: | DATED: |
| RELEASED: | DATED: |

D

D

C

C

B

B

A

A

6

5

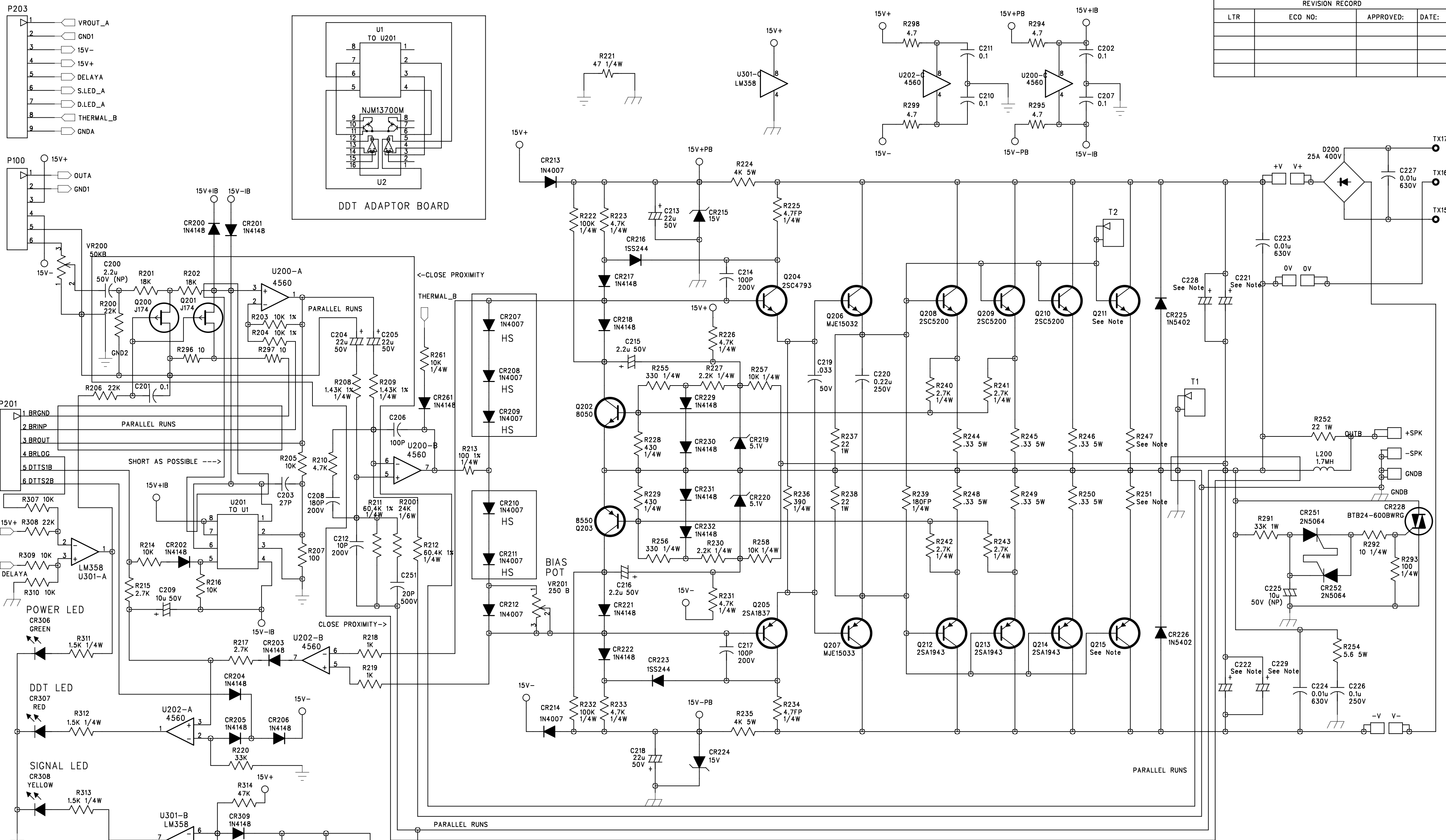
4

3

2

1

| REVISION RECORD | | | |
|-----------------|---------|-----------|-------|
| LTR | ECO NO: | APPROVED: | DATE: |
| | | | |
| | | | |
| | | | |



Note:

| | | | |
|------|------|-----------|------------|
| C221 | C222 | 4700u/80V | 3300u/100V |
| C228 | C229 | N.I. | 3300u/100V |
| Q211 | N.I. | | 2SC5200 |
| Q215 | N.I. | | 2SA1943 |
| R247 | R251 | N.I. | .33 5W |

COMPANY: Crest Audio Inc.

TITLE: CPX900/1500 POWER AMPLIFIER (CH. B)

| CODE: | SIZE: | DRAWING NO: | REV: |
|----------|-------|-------------|------|
| CPX-1500 | | | A |

SCALE: SHEET: 3 OF 4

| | |
|------------------|--------|
| DRAWN: | DATED: |
| CHECKED: | DATED: |
| QUALITY CONTROL: | DATED: |
| RELEASED: | DATED: |

D

D

C

C

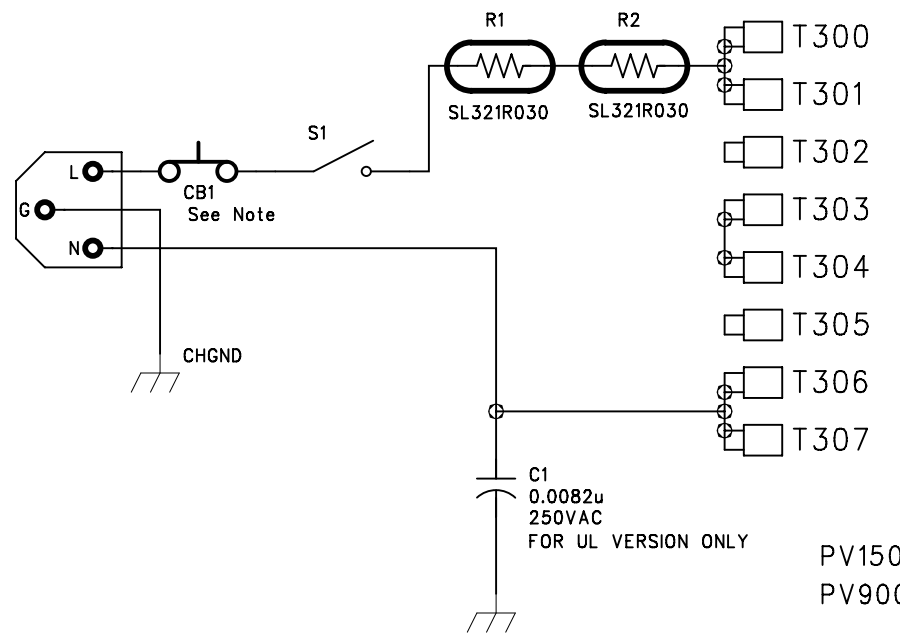
B

B

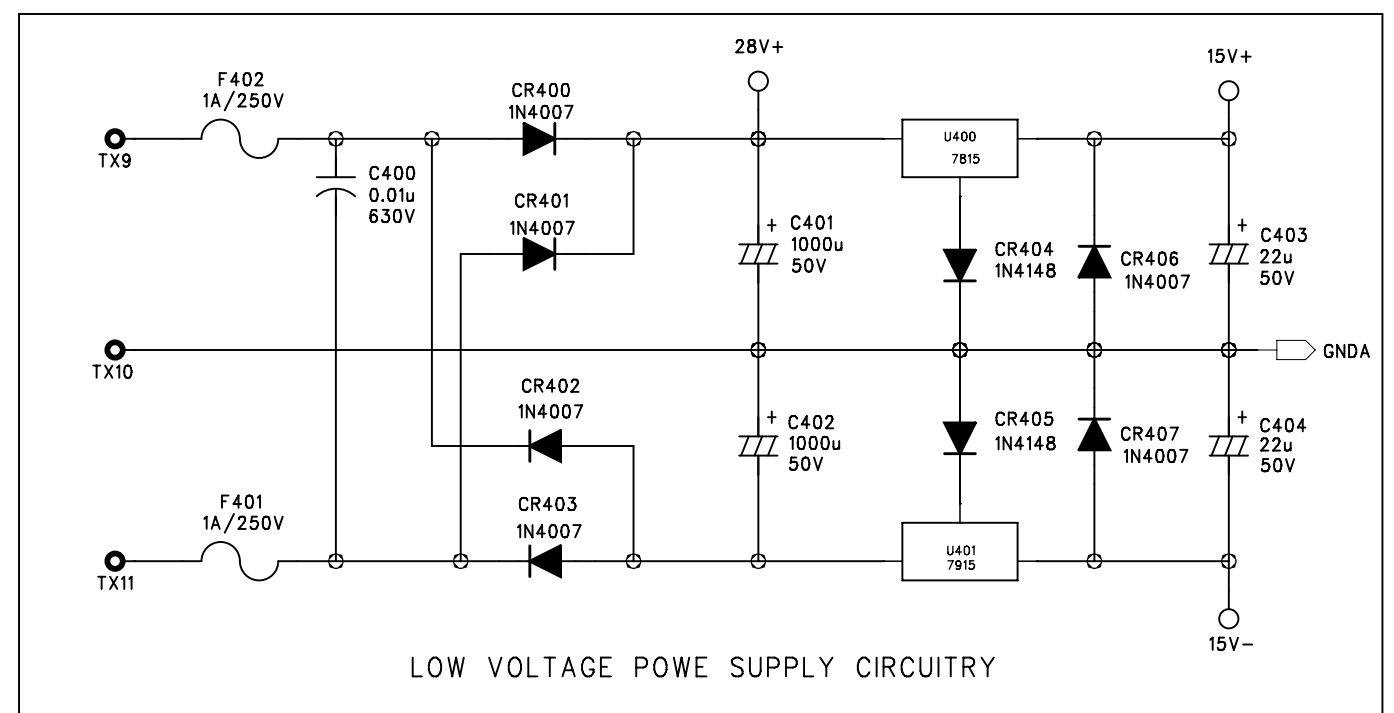
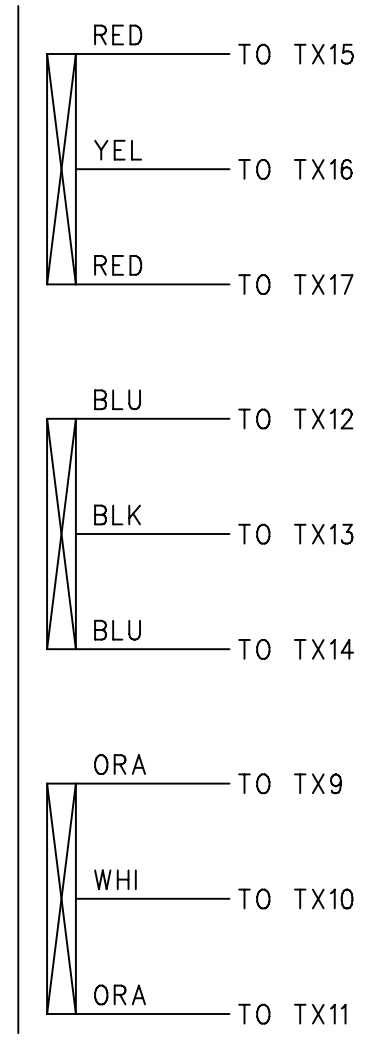
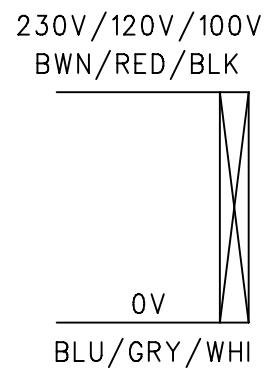
A

A

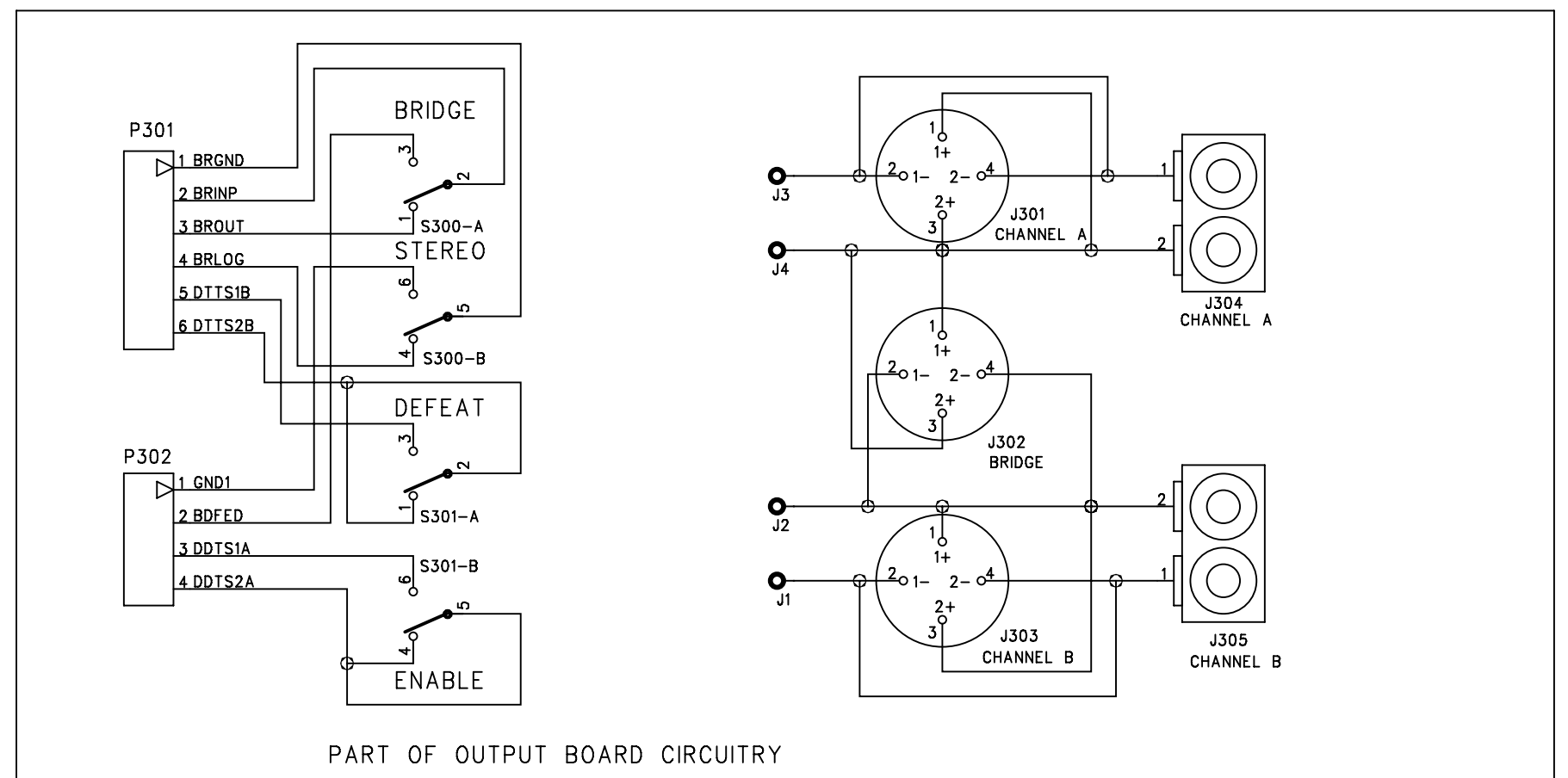
| REVISION RECORD | | | |
|-----------------|---------|-----------|-------|
| LTR | ECO NO: | APPROVED: | DATE: |
| | | | |
| | | | |
| | | | |



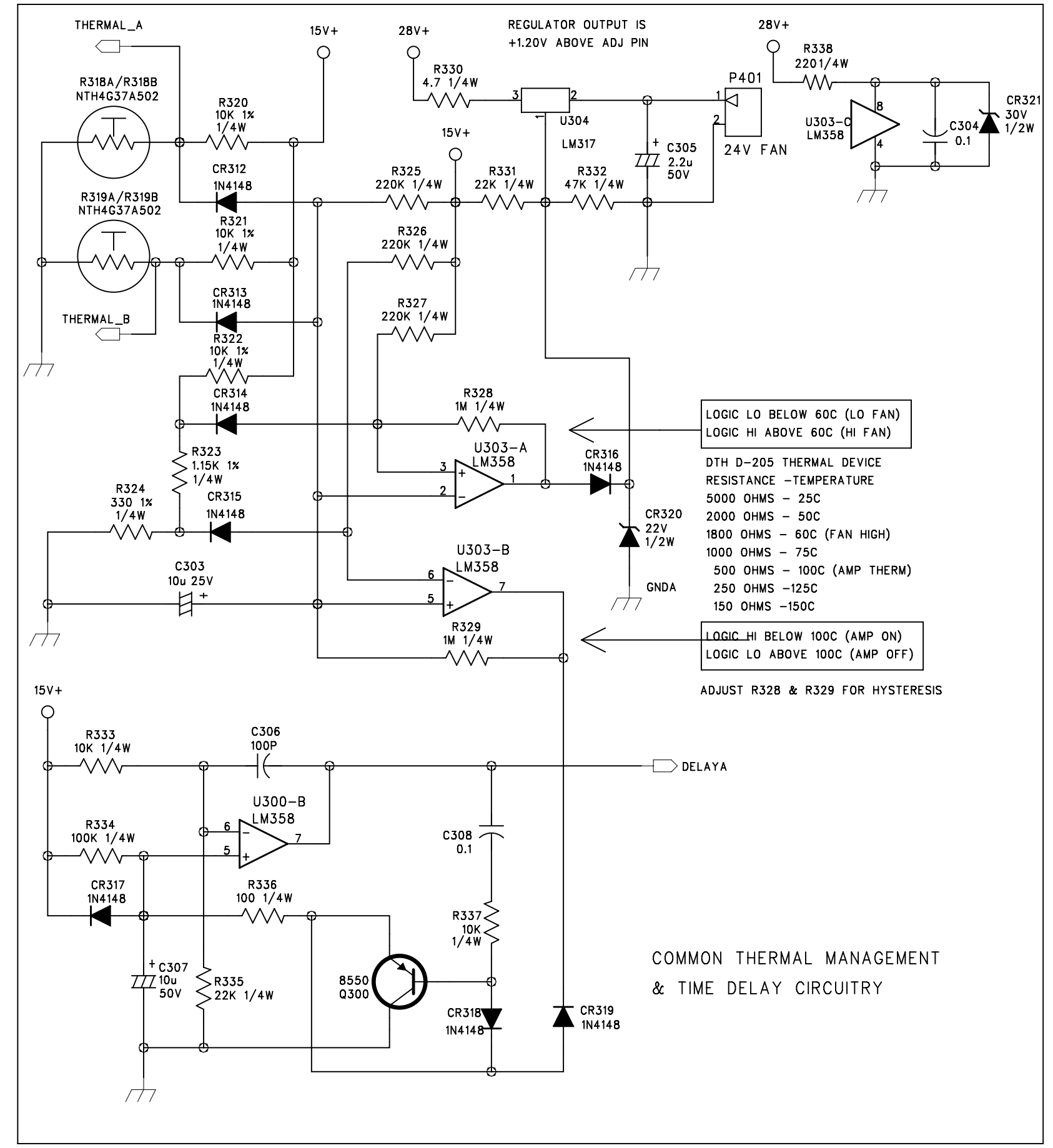
| MAINS SELECT | | |
|-----------------|-------|-------|
| 230V | 120V | 100V |
| PRIMARY LEADS | | |
| BWN | RED | BLK |
| - | - | - |
| - | - | - |
| - | - | - |
| - | - | - |
| - | - | - |
| - | - | - |
| BLU | GRY | WHI |
| CIRCUIT BREAKER | | |
| 8A | 15A | 15A |
| 5A | 10A | 10A |
| SURGE LIMITER | | |
| 30A | 30A | 30A |
| 2X1 ohm | 1 ohm | 1 ohm |



LOW VOLTAGE POWE SUPPLY CIRCUITRY



PART OF OUTPUT BOARD CIRCUITRY



LOGIC LO BELOW 60C (LO FAN)
LOGIC HI ABOVE 60C (HI FAN)

DTH D-205 THERMAL DEVICE
RESISTANCE - TEMPERATURE
5000 OHMS - 25C
2000 OHMS - 50C
1800 OHMS - 60C (FAN HIGH)
1000 OHMS - 75C
500 OHMS - 100C (AMP THERM)
250 OHMS -125C
150 OHMS -150C

LOGIC_HI BELOW 100C (AMP ON)
LOGIC LO ABOVE 100C (AMP OFF)

ADJUST R328 & R329 FOR HYSTERESIS

COMMON THERMAL MANAGEMENT & TIME DELAY CIRCUITRY

| | | | |
|---|-------|-------------|---------------|
| COMPANY: Crest Audio Inc. | | | |
| TITLE: CPX900/1500 POWER AMP (OUTPUT, POWER SUPPLY, COMMON THERMAL MANAGEMENT & TIME DELAY CIRCUITRY) | | | |
| CODE: | SIZE: | DRAWING NO: | REV: |
| CPX-1500 | | | A |
| SCALE: | | | SHEET: 4 OF 4 |

| | |
|------------------|--------|
| DRAWN: | DATED: |
| CHECKED: | DATED: |
| QUALITY CONTROL: | DATED: |
| RELEASED: | DATED: |