

NOTE 1: 8.2K 2W ON MODELS 8001, 7001, CV601  
 6.8K 2W ON MODELS 6001, 4801  
 4.3K 2W ON MODEL 4601  
 5.6K 2W ON MODELS CC301/300  
 3.3K 2W ON MODELS CV301, CC151, 3301  
 NOTE 2: 27K 2W ON MODELS 8001, 7001, CV601  
 20K 2W ON MODELS 6001, 4801, CC301  
 16K 2W ON MODEL 4601  
 15K 2W ON MODELS CV301, CC151, 3301

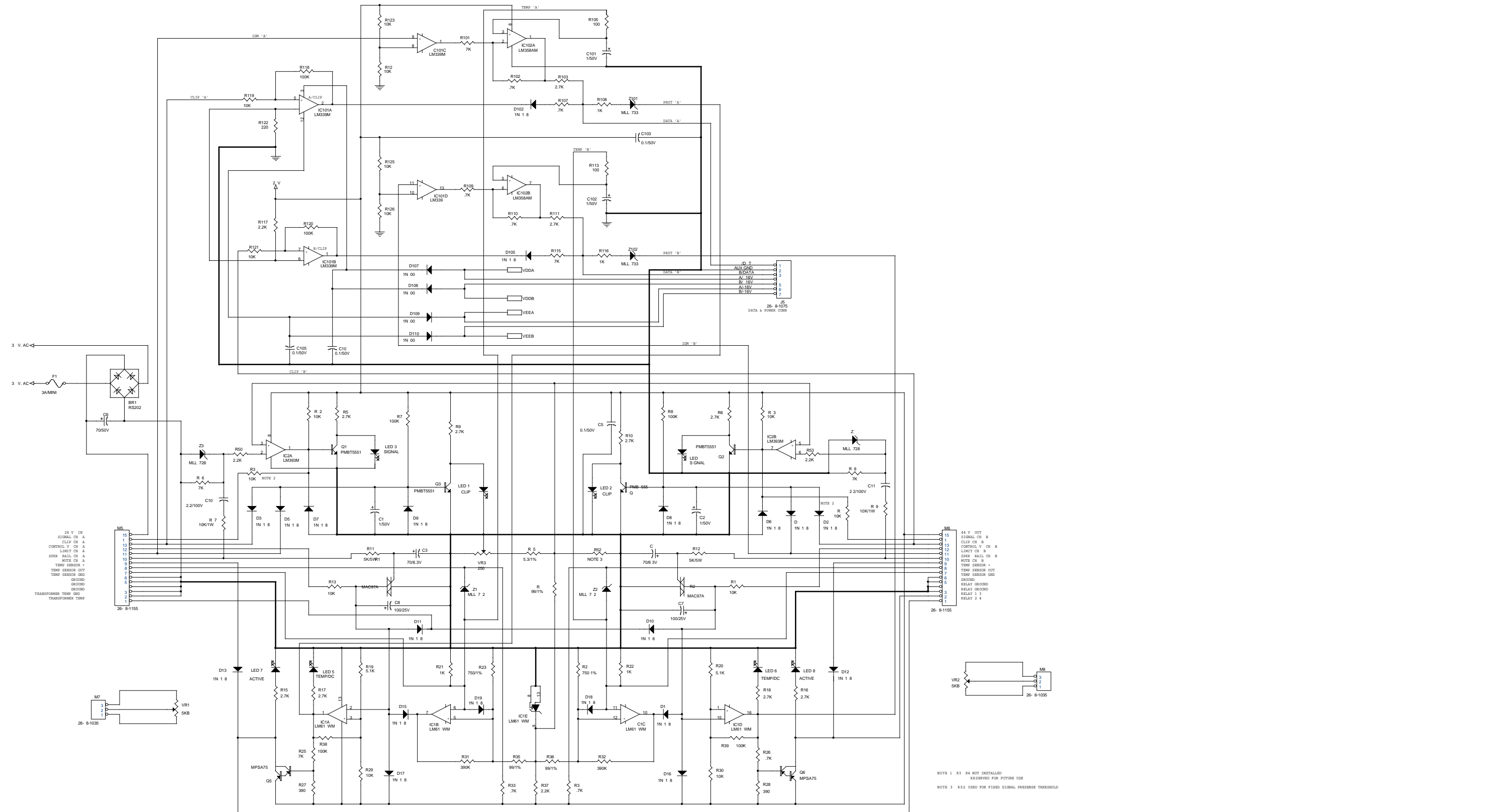
NOTE 3: 750 10W ON MODELS 8001, CV601  
 680 10W ON MODEL 7001  
 620 10W ON MODEL 6001  
 560 10W ON MODELS 4801, MA5850  
 1.1K 10W ON MODEL 4601  
 560 10W ON MODELS CC301  
 1K 10W ON MODELS CV301, 3301  
 360 10W ON MODEL CC151  
 NOTE 4: R82, R83, D20, VR1 ARE USED ON MODEL MA5850 ONLY  
 NOTE 5: PRIOR TO 6-2-92 R65, R66 WERE 1K/10W ON MODEL CC151

1.1K 10W ON MODEL 4601  
 560 10W ON MODELS CC301  
 1K 10W ON MODELS CV301, CC151, 3301  
 NOTE 4: R82, R83, D20, VR1 ARE USED ON MODEL MA5850 ONLY

REV NOTES 7/15/93  
 (1) DELETE R12

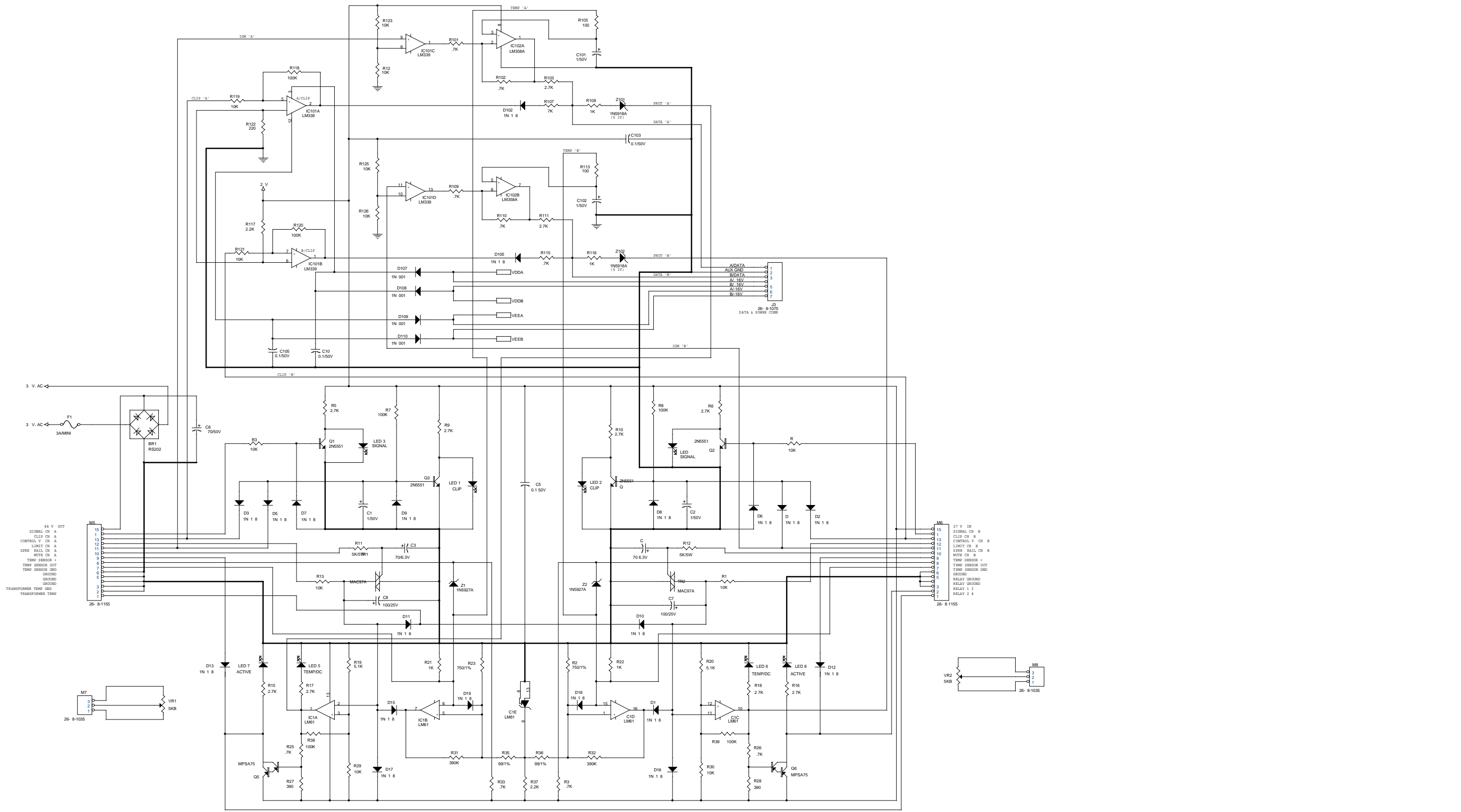
CREST AUDIO INC.		
50 Florence Ave. Hawthorne, NJ 07506		
PRO-LINE PREAMP/FRONT END		
Size C	Document Number 21C1124-02	Rev 02
Date Friday May 19, 2000	Sheet 1	of 0

02 10 94  
 CHANGE R101 R109 FROM 10K TO 4.7K  
 CHANGE R103 R111 FROM 2.2K TO 2.7K  
 CHANGE R107 R115 FROM 1.5K TO 4.7K  
 CHANGE R108 R116 FROM 2.2K TO 1K  
 CHANGE R101 R110 FROM MLL4713 TO MLL4713



NOTE 1 R3 R4 NOT INSTALLED  
 RESERVED FOR FUTURE USE  
 NOTE 3 R32 USED FOR FIXED SIGNAL PRESENCE THRESHOLD

CREST AUDIO	
00 EISENHOWER DRIVE PARAMUS, NJ 07652	
E#	MAS850 DISPLAY WITH NEXSYS
Size	Document Number
D	2101777
Date	Friday, May 19, 2000
Sheet	0 of 0



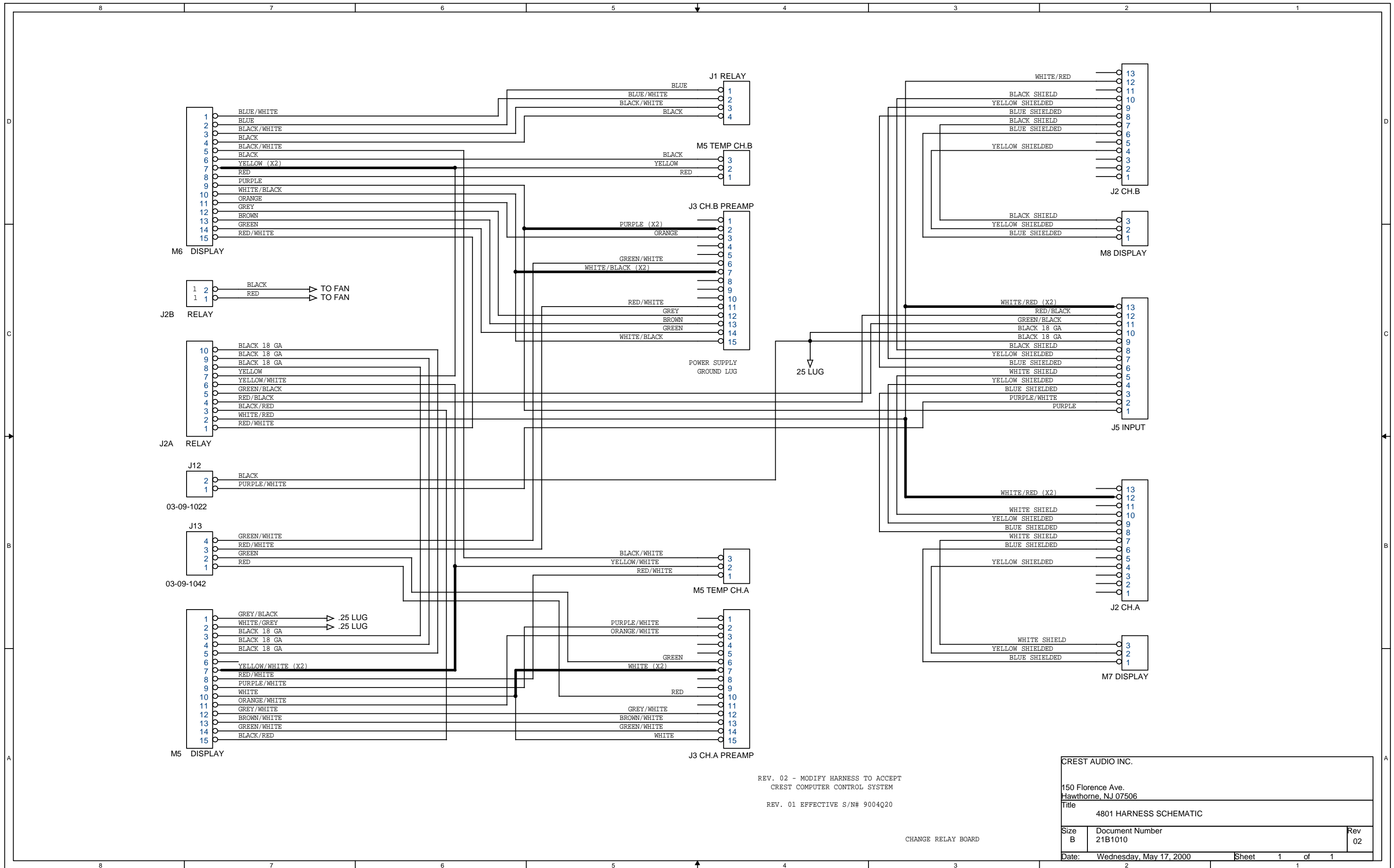
12 14 93

CHANGE R101 R109 FROM 10K TO 4.7K  
 CHANGE R103 R111 FROM 2.2K TO 3.3K  
 CHANGE R107 R115 FROM 3.3K TO 4.7K  
 CHANGE R108 R116 FROM 2.2K TO 3.3K  
 CHANGE R101 R102 FROM 10K TO 100K

NOTE 1

R23 R24 WILL CHANGE TO 1K/1K WITH ILL APPROVAL

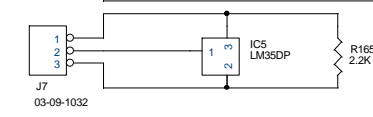
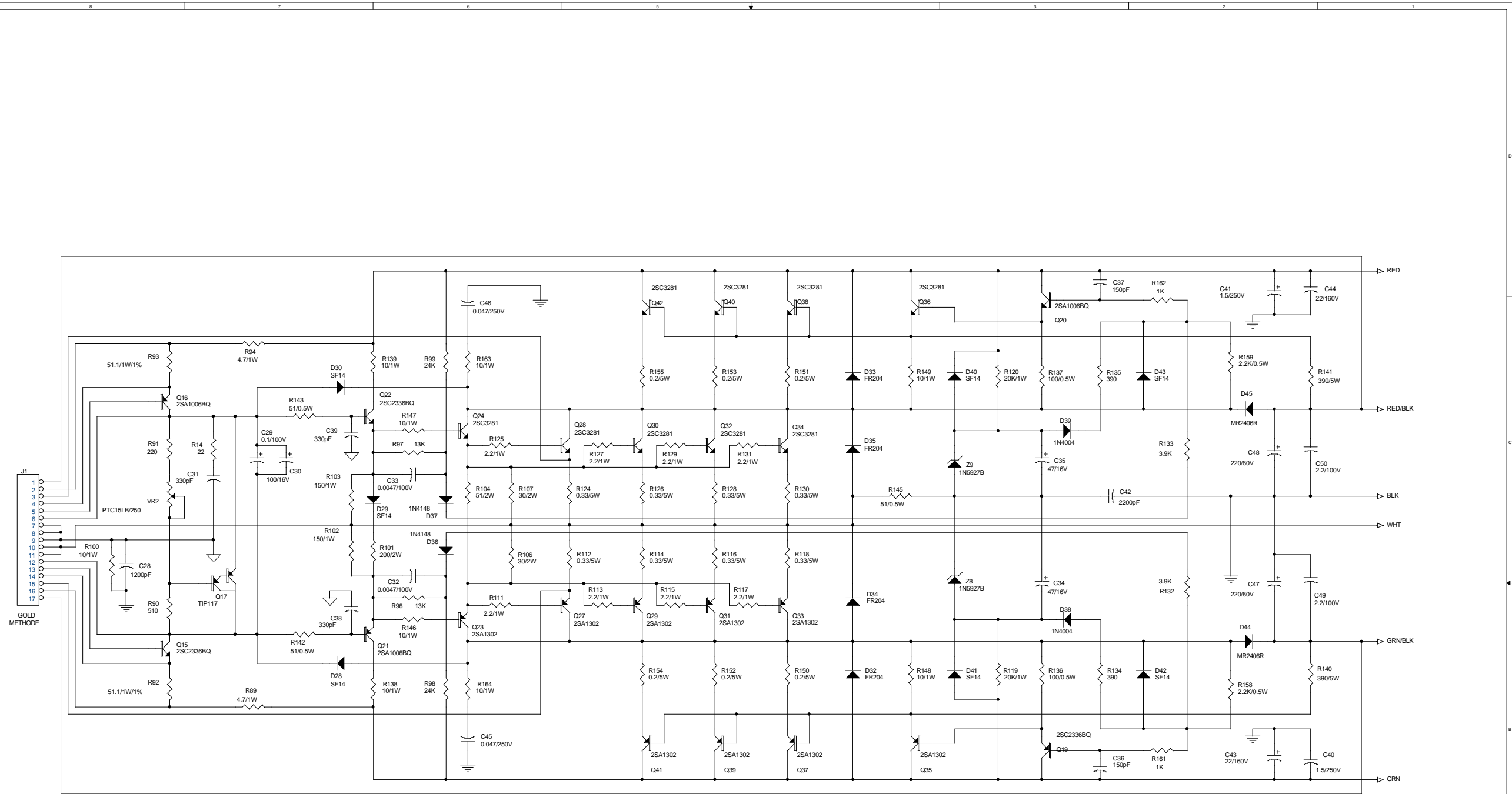
EREST ALD O	
100 EISENHOWER DRIVE	
PARAMUS, NY 07652	
Size	Document Number
D	21D1977-xx
Date:	Wednesday, May 17, 2000
Sheet:	0 of 0



REV. 02 - MODIFY HARNESS TO ACCEPT  
 CREST COMPUTER CONTROL SYSTEM  
 REV. 01 EFFECTIVE S/N# 9004Q20

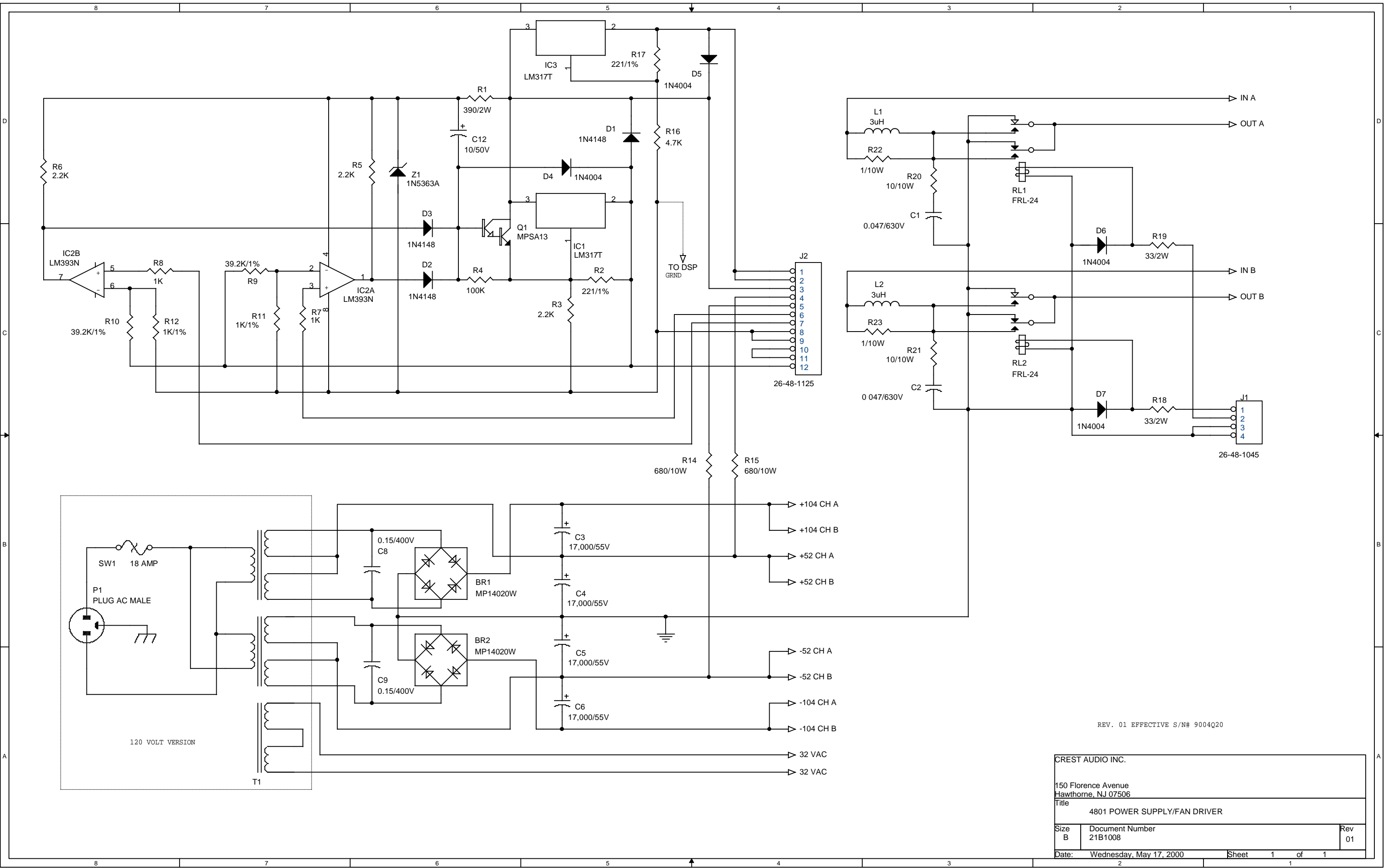
CHANGE RELAY BOARD

CREST AUDIO INC.		
150 Florence Ave. Hawthorne, NJ 07506		
Title 4801 HARNESS SCHEMATIC		
Size B	Document Number 21B1010	Rev 02
Date: Wednesday, May 17, 2000	Sheet 1	of 1



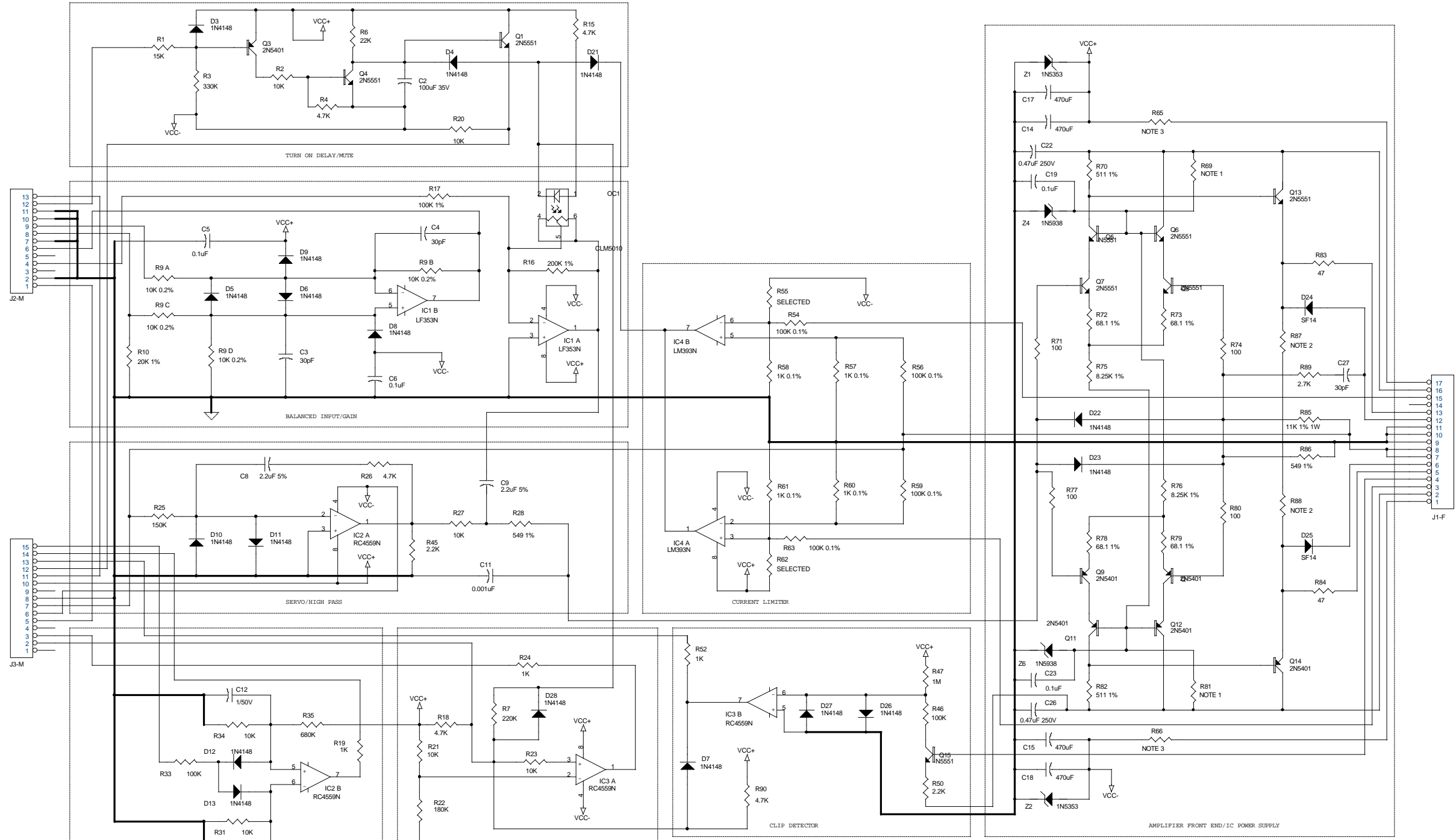
NOTE: Q30, Q31, NOT USED ON MODELS 4801, CC151  
R98, R99 ARE 39K ON MODEL CV601

CREST AUDIO INC.		
150 Florence Ave. Hawthorne, NJ 07506		
Title OUTPUT 4801/6001/7001/CC151/CC301/CC601		
Size C	Document Number 21CO951	Rev
Date Wednesday, May 17, 2000	Sheet 1	of 1



REV. 01 EFFECTIVE S/N# 9004Q20

CREST AUDIO INC.		
150 Florence Avenue Hawthorne, NJ 07506		
Title 4801 POWER SUPPLY/FAN DRIVER		
Size B	Document Number 21B1008	Rev 01
Date: Wednesday, May 17, 2000	Sheet 1	of 1



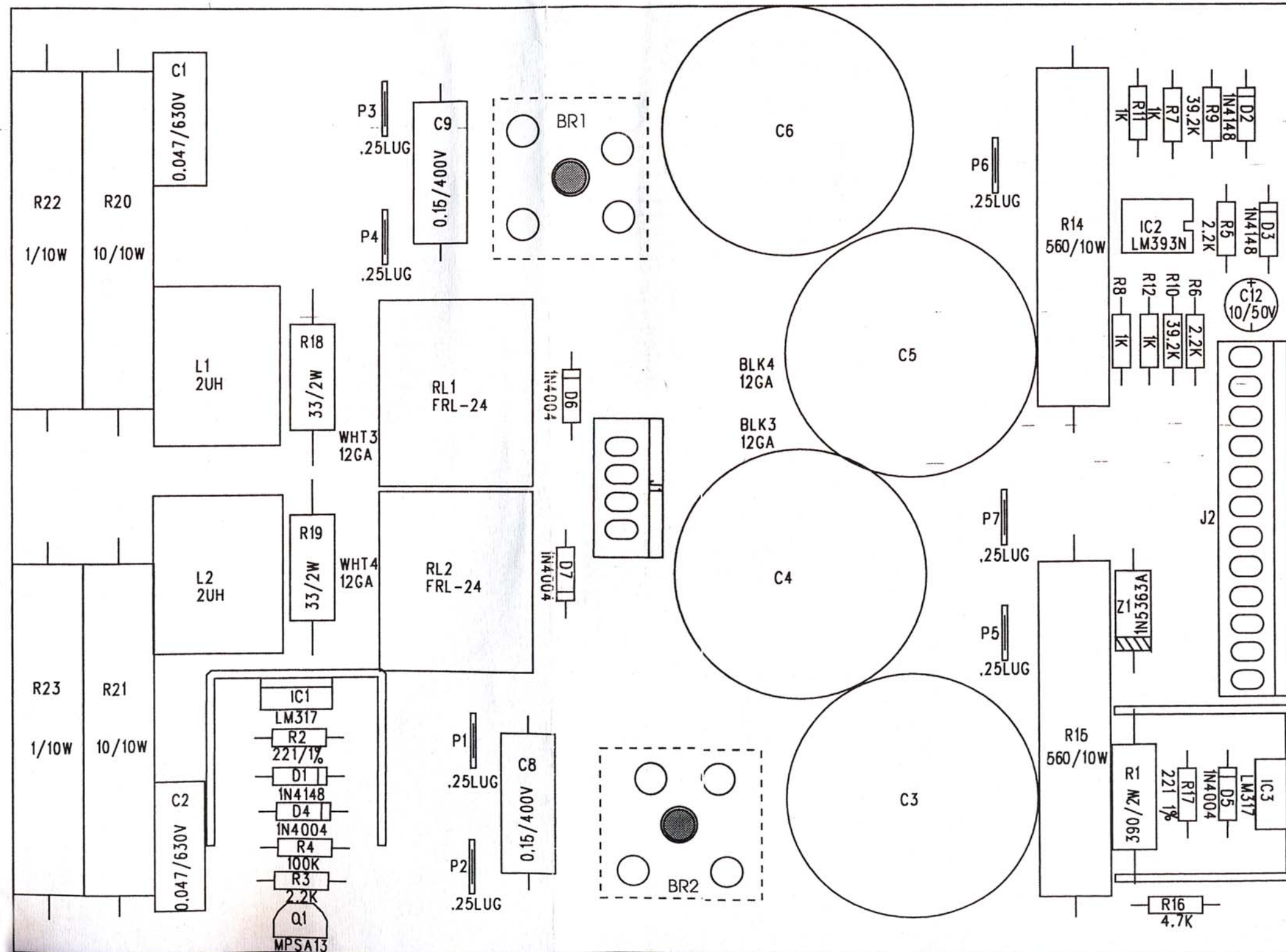
NOTE 1: 8.2K 2W ON MODELS 8001, 7001, CV601/600  
 6.8K 2W ON MODELS 6001, 4801  
 5.6K 2W ON MODELS CC301/300  
 3.3K 2W ON MODELS CV301/300, CC151/150

NOTE 2: 27K 2W ON MODELS 8001, 7001, CC601/600  
 20K 2W ON MODELS 6001, 4801, CC301/300  
 15K 2W ON MODELS CV301/300, CC151/150

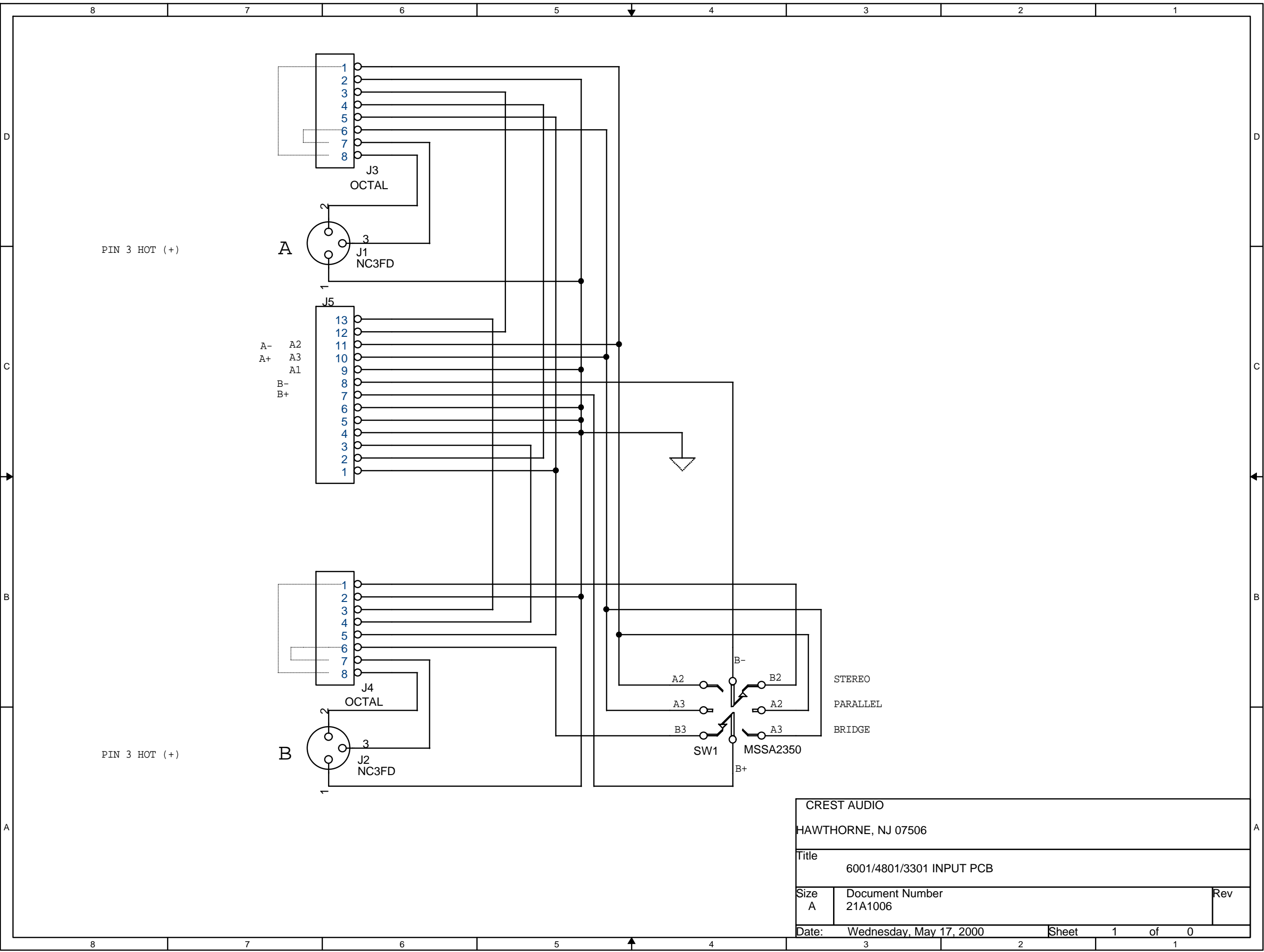
NOTE 3: 1K 10W ON MODELS CC151/150, CV301/300  
 820 10W ON ALL OTHER MODELS

# T LAYOUT #6A-1 4801 POWER SUPPLY / FAN DRIVER PCB

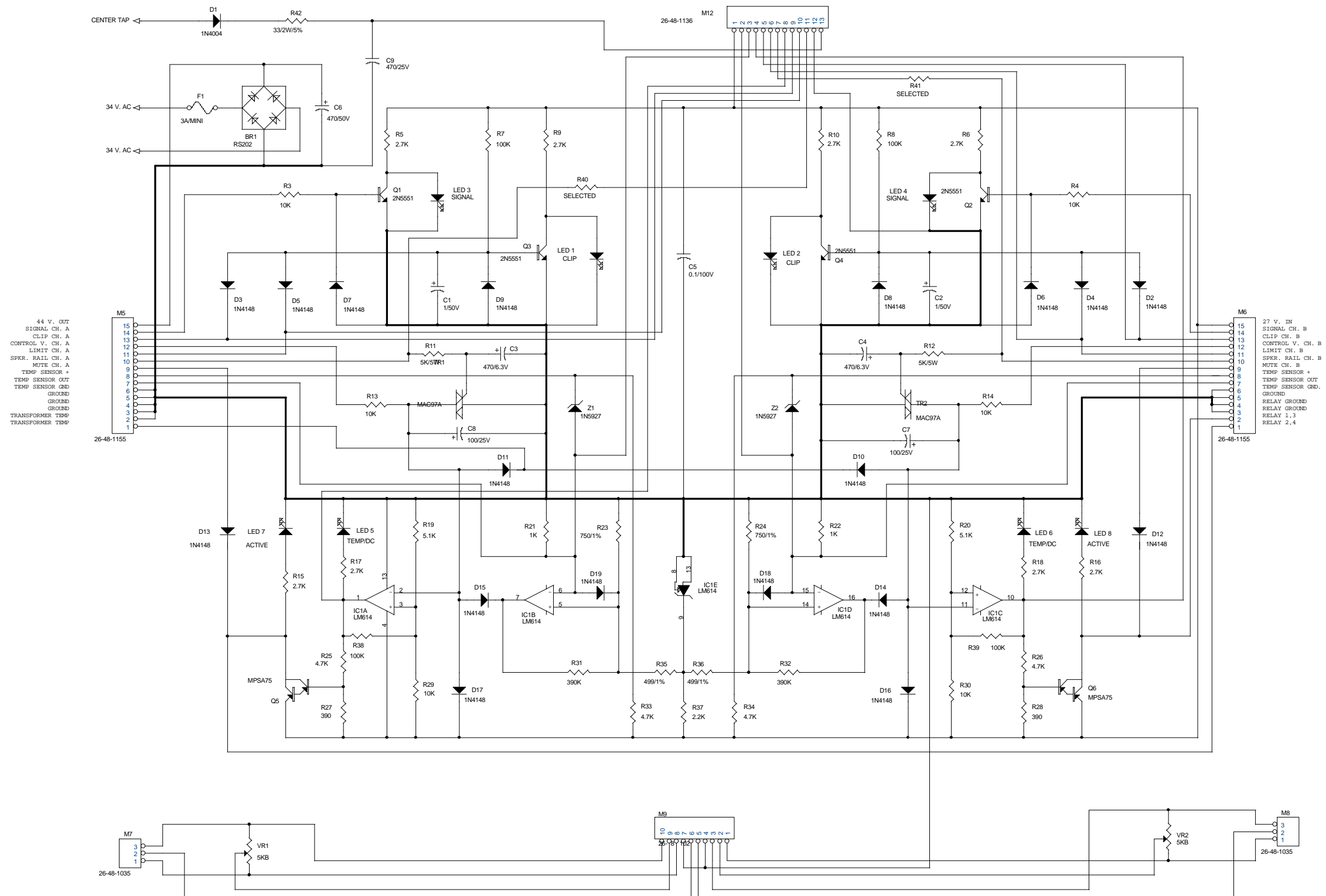
MODEL 4801 FROM SERIAL NUMBER 8903A00 (3/89) ON.







CREST AUDIO		
HAWTHORNE, NJ 07506		
Title 6001/4801/3301 INPUT PCB		
Size A	Document Number 21A1006	Rev
Date: Wednesday, May 17, 2000	Sheet 1	of 0



44 V. OUT  
 SIGNAL CH. A  
 CLIP CH. A  
 CONTROL V. CH. A  
 LIMIT CH. A  
 SPKR. RAIL CH. A  
 MUTE CH. A  
 TEMP SENSOR +  
 TEMP SENSOR OUT  
 TEMP SENSOR GND  
 GROUND  
 GROUND  
 TRANSFORMER TEMP  
 TRANSFORMER TEMP

27 V. IN  
 SIGNAL CH. B  
 CLIP CH. B  
 CONTROL V. CH. B  
 LIMIT CH. B  
 SPKR. RAIL CH. B  
 MUTE CH. B  
 TEMP SENSOR +  
 TEMP SENSOR OUT  
 TEMP SENSOR GND.  
 GROUND  
 RELAY GROUND  
 RELAY GROUND  
 RELAY 1,3  
 RELAY 2,4

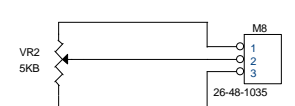
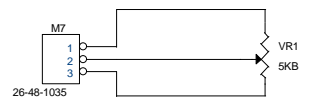
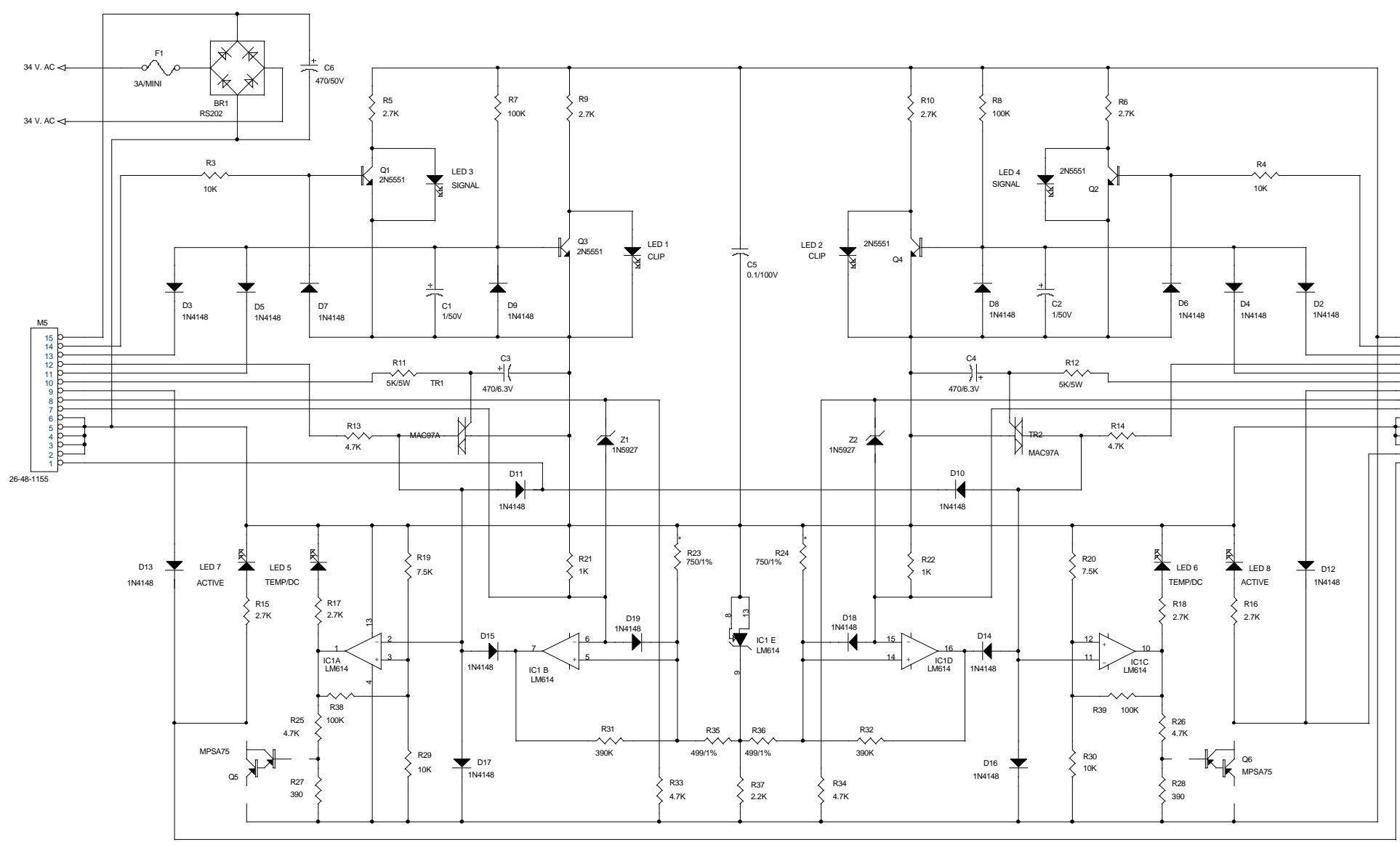
R40, R41 RESISTOR VALUES

MODEL	VALUE
3301	41.2K 1/4W/1%
4601	53.6K 1/4W/1%
4801	60.4K 1/4W/1%
6001	73.2K 1/4W/1%
7001	84.5K 1/4W/1%

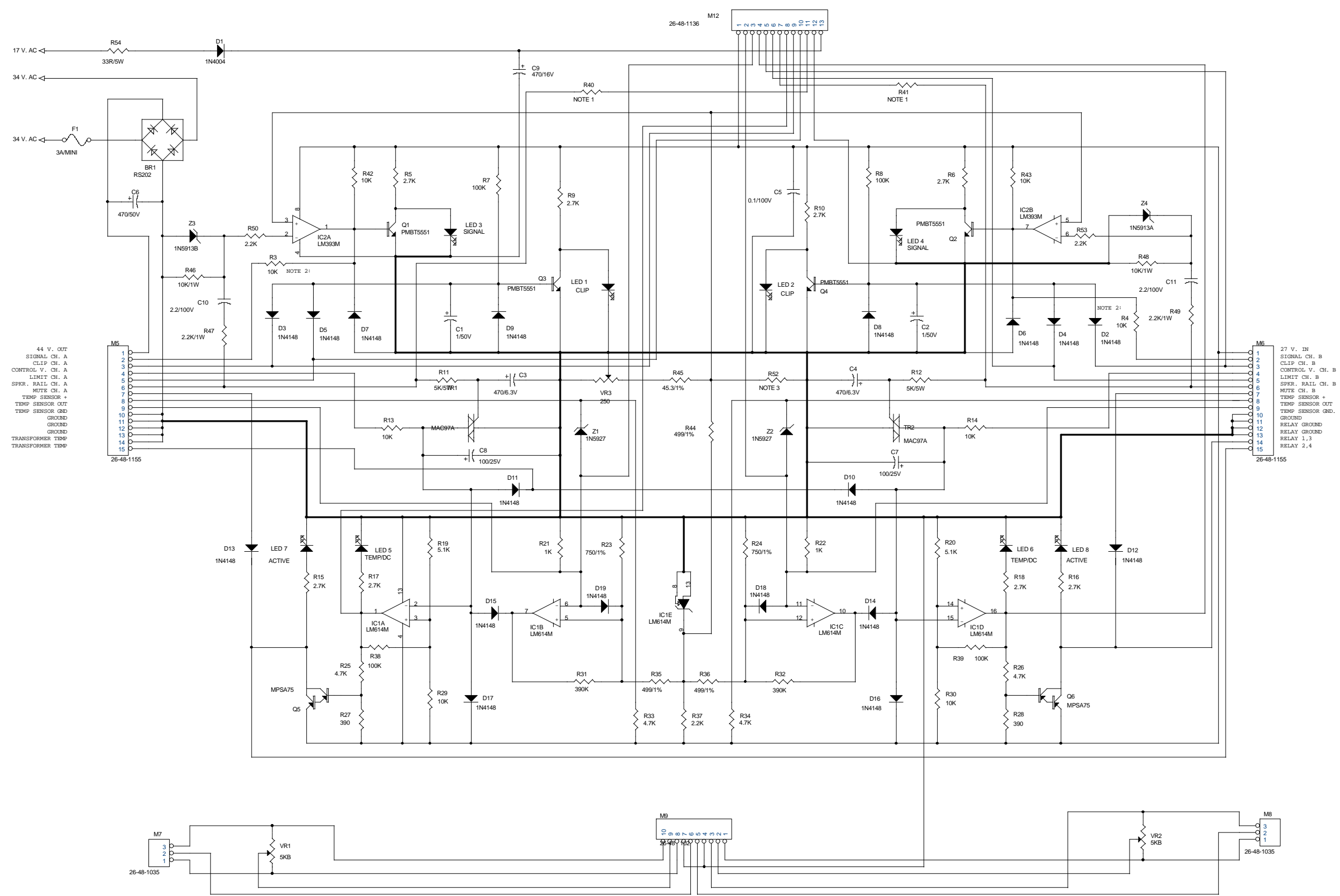
CREST AUDIO INC.  
 150 Florence Ave.  
 Hawthorne, NJ 07506  
 Title 7-6-48-46-3301 DISPLAY WINEXSYS CONTROL  
 Size C Document Number 21C1095 Rev 02  
 Date Wednesday, May 17, 2000 Sheet 1 of 0

44 V. OUT  
 SIGNAL CH. A  
 CLIP CH. A  
 CONTROL V. CH. A  
 LIMIT CH. A  
 SPKR. RAIL CH. A  
 MUTE CH. A  
 TEMP SENSOR +  
 TEMP SENSOR OUT  
 TEMP SENSOR GND  
 GROUND  
 GROUND  
 GROUND  
 TRANSFORMER TEMP  
 TRANSFORMER TEMP

27 V. IN  
 SIGNAL CH. B  
 CLIP CH. B  
 CONTROL V. CH. B  
 LIMIT CH. B  
 SPKR. RAIL CH. B  
 MUTE CH. B  
 TEMP SENSOR +  
 TEMP SENSOR OUT  
 TEMP SENSOR GND  
 GROUND  
 RELAY GROUND  
 RELAY GROUND  
 RELAY 1,3  
 RELAY 2,4



\* NOTE  
 ON 7001 R23, R24 WILL CHANGE TO 1K/1K WITH UL APPROVAL



44 V. OUT  
 SIGNAL CH. A  
 CLIP CH. A  
 CONTROL V. CH. A  
 LIMIT CH. A  
 SPKR. RAIL CH. A  
 NOTE CH. A  
 TEMP SENSOR +  
 TEMP SENSOR OUT  
 TEMP SENSOR GND  
 GROUND  
 GROUND  
 TRANSFORMER TEMP  
 TRANSFORMER TEMP

27 V. IN  
 SIGNAL CH. B  
 CLIP CH. B  
 CONTROL V. CH. B  
 LIMIT CH. B  
 SPKR. RAIL CH. B  
 NOTE CH. B  
 TEMP SENSOR +  
 TEMP SENSOR OUT  
 TEMP SENSOR GND.  
 GROUND  
 RELAY GROUND  
 RELAY GROUND  
 RELAY 1,3  
 RELAY 2,4

NOTE 1: R40, R41 RESISTOR VALUES  

MODEL	VALUE
4801	60.4K 1/4W/1%
6001	73.2K 1/4W/1%
7001	84.5K 1/4W/1%

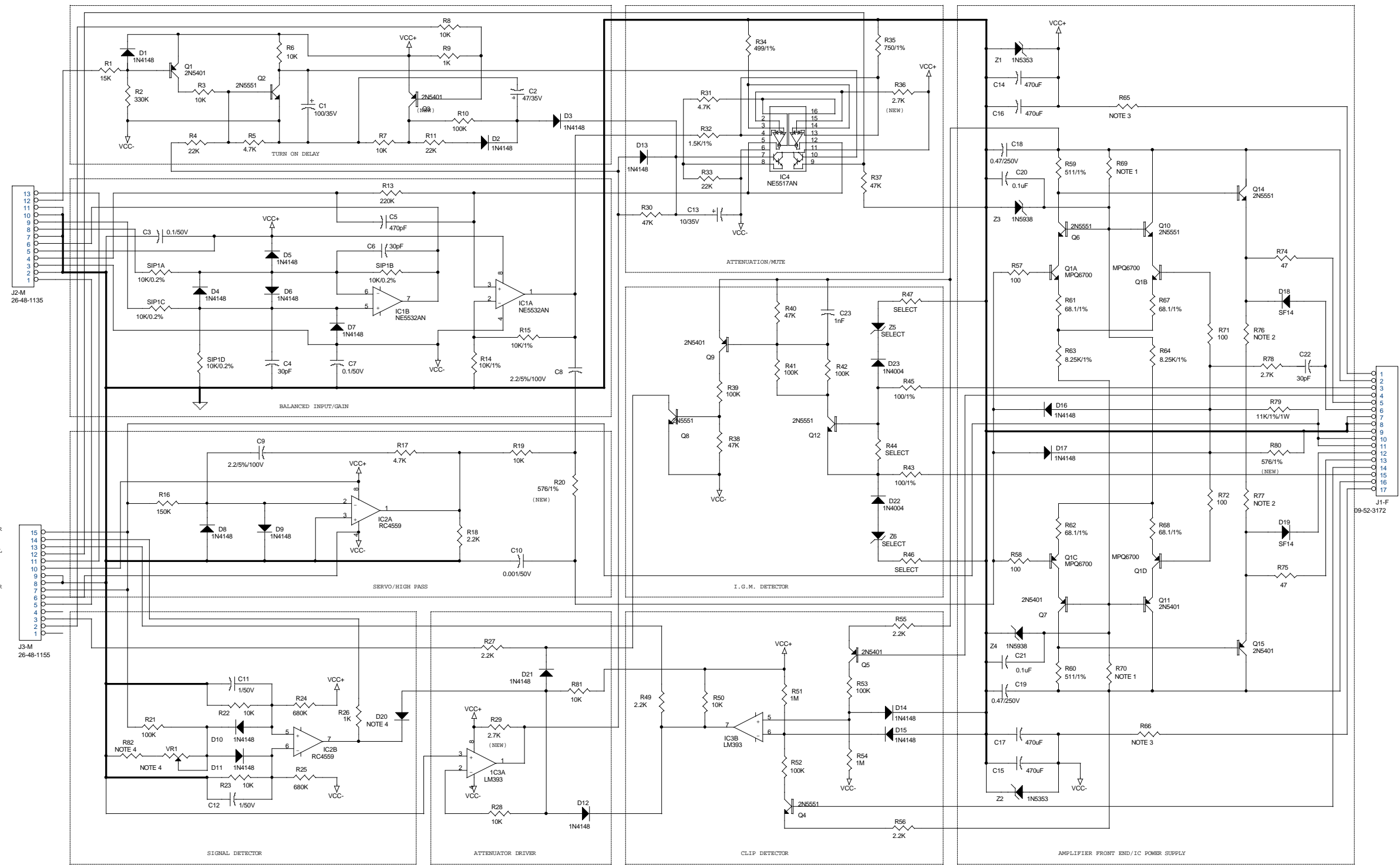
NOTE 2: R3, R4 NOT INSTALLED  
 RESERVED FOR FUTURE USE

NOTE 3: R52 USED FOR FIXED SIGNAL PRESENCE THRESHOLD

CREST AUDIO INC.  
 50 Florence Ave.  
 Hawthorne, NJ 07506

MA5850 DISPLAY WITH NEXUS CONTROL

Size C	Document Number 21C1229	Rev 02
Date Friday, May 19 2000	Sheet 1 of 0	



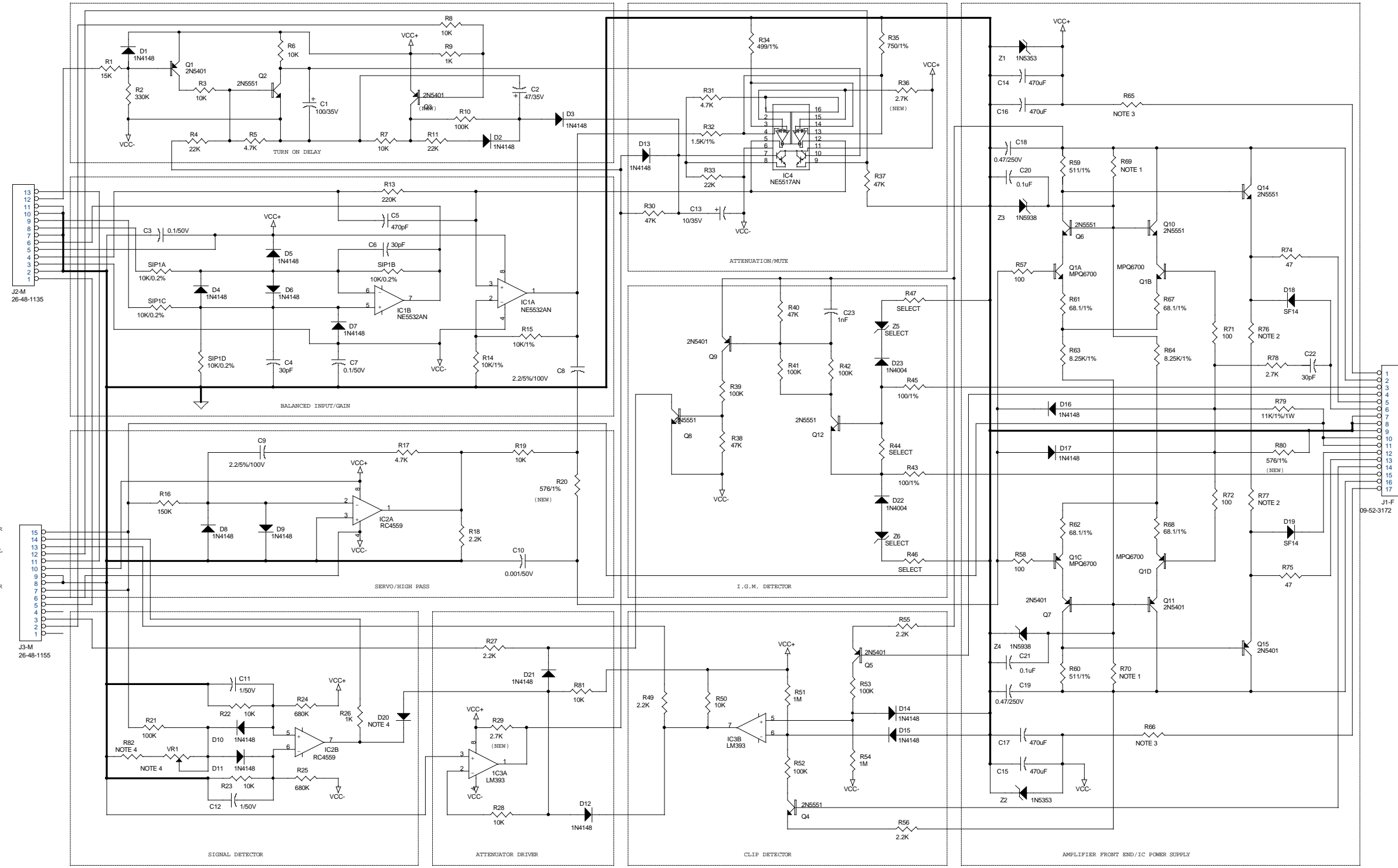
NOTE 1: 8.2K 2W ON MODELS 8001, 7001, CV601  
 6.8K 2W ON MODELS 6001, 4801  
 4.3K 2W ON MODEL 4601  
 5.6K 2W ON MODELS CC301/300  
 3.3K 2W ON MODELS CV301, CC151, 3301  
 NOTE 2: 27K 2W ON MODELS 8001, 7001, CV601  
 20K 2W ON MODELS 6001, 4801, CC301  
 16K 2W ON MODEL 4601  
 15K 2W ON MODELS CV301, CC151, 3301

NOTE 3: 750 10W ON MODELS 8001, CV601  
 680 10W ON MODEL 7001  
 620 10W ON MODEL 6001  
 560 10W ON MODELS 4801, MA5850  
 1.1K 10W ON MODEL 4601  
 560 10W ON MODELS CC301  
 1K 10W ON MODELS CV301, 3301  
 360 10W ON MODEL CC151  
 NOTE 4: R82, D20, VR1 ARE USED ON MODEL MA5850 ONLY  
 NOTE 5: PRIOR TO 6-2-92 R65, R66 WERE 1K/10W ON MODEL CC151

1.1K 10W ON MODEL 4601  
 560 10W ON MODELS CC301  
 1K 10W ON MODELS CV301, CC151, 3301  
 NOTE 4: R82, R83, D20, VR1 ARE USED ON MODEL MA5850 ONLY

REV NOTES 7/15/93  
 (1) DELETE R12

CREST AUDIO INC.		
50 Florence Ave. Hawthorne, NJ 07506		
PRO-LINE PREAMP/FRONT END		
Size	Document Number	Rev
C	21C124-02	02
Date	Friday May 19, 2000	Sheet 1 of 1



NOTE 1: 8.2K 2W ON MODELS 8001, 7001, CV601  
 6.8K 2W ON MODELS 6001, 4801  
 4.3K 2W ON MODEL 4601  
 5.6K 2W ON MODELS CC301/300  
 3.3K 2W ON MODELS CV301, CC151, 3301  
 NOTE 2: 27K 2W ON MODELS 8001, 7001, CV601  
 20K 2W ON MODELS 6001, 4801, CC301  
 16K 2W ON MODEL 4601  
 15K 2W ON MODELS CV301, CC151, 3301

NOTE 3: 750 10W ON MODELS 8001, CV601  
 680 10W ON MODEL 7001  
 620 10W ON MODEL 6001  
 560 10W ON MODELS 4801, MA5850  
 1.1K 10W ON MODEL 4601  
 560 10W ON MODELS CC301  
 1K 10W ON MODELS CV301, 3301  
 360 10W ON MODEL CC151

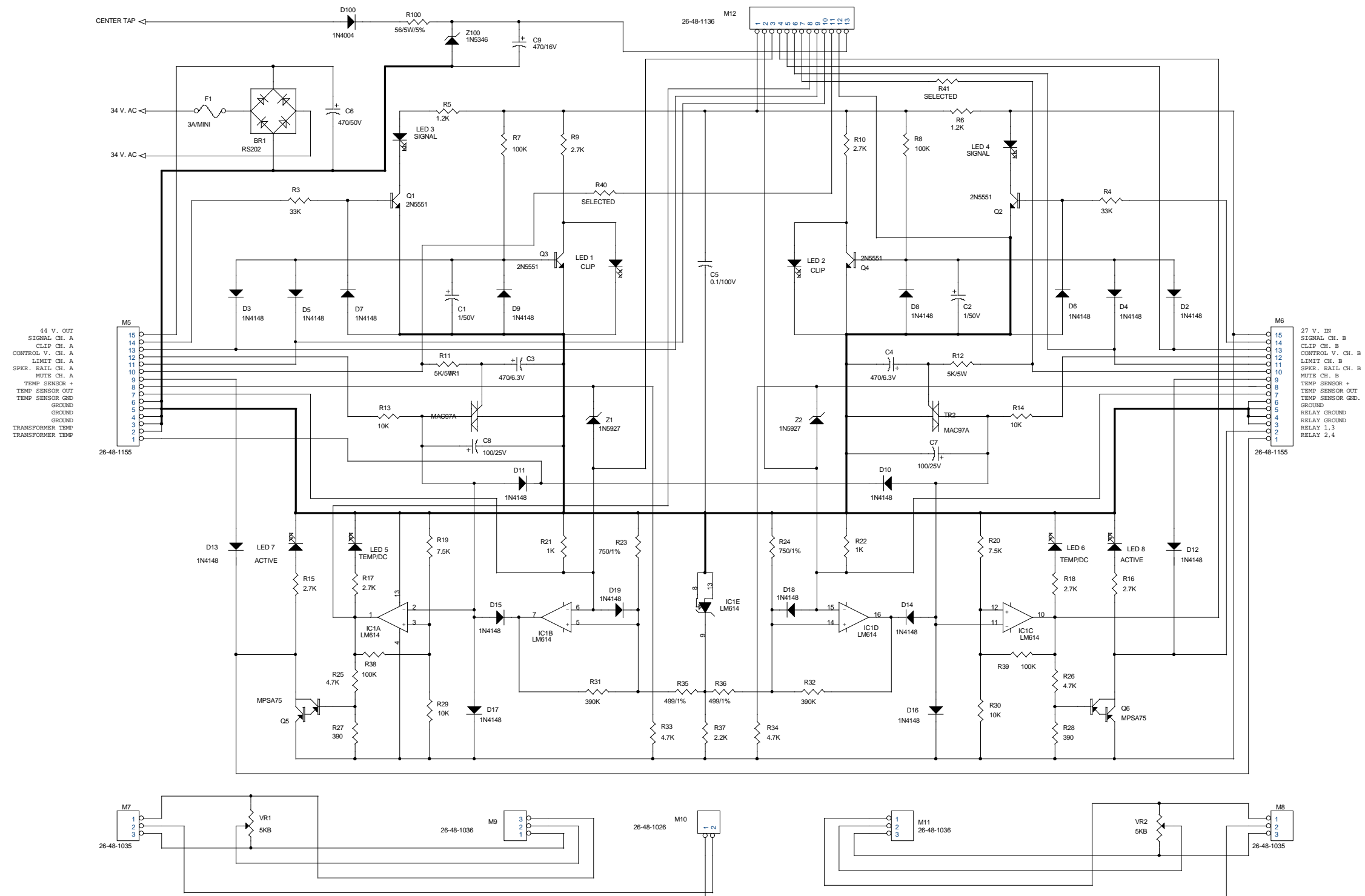
NOTE 4: R82, D20, VR1 ARE USED ON MODEL MA5850 ONLY

NOTE 5: PRIOR TO 6-2-92 R65, R66 WERE 1K/10W ON MODEL CC151

1.1K 10W ON MODEL 4601  
 560 10W ON MODELS CC301  
 1K 10W ON MODELS CV301, CC151, 3301  
 NOTE 4: R82, R83, D20, VR1 ARE USED ON MODEL MA5850 ONLY

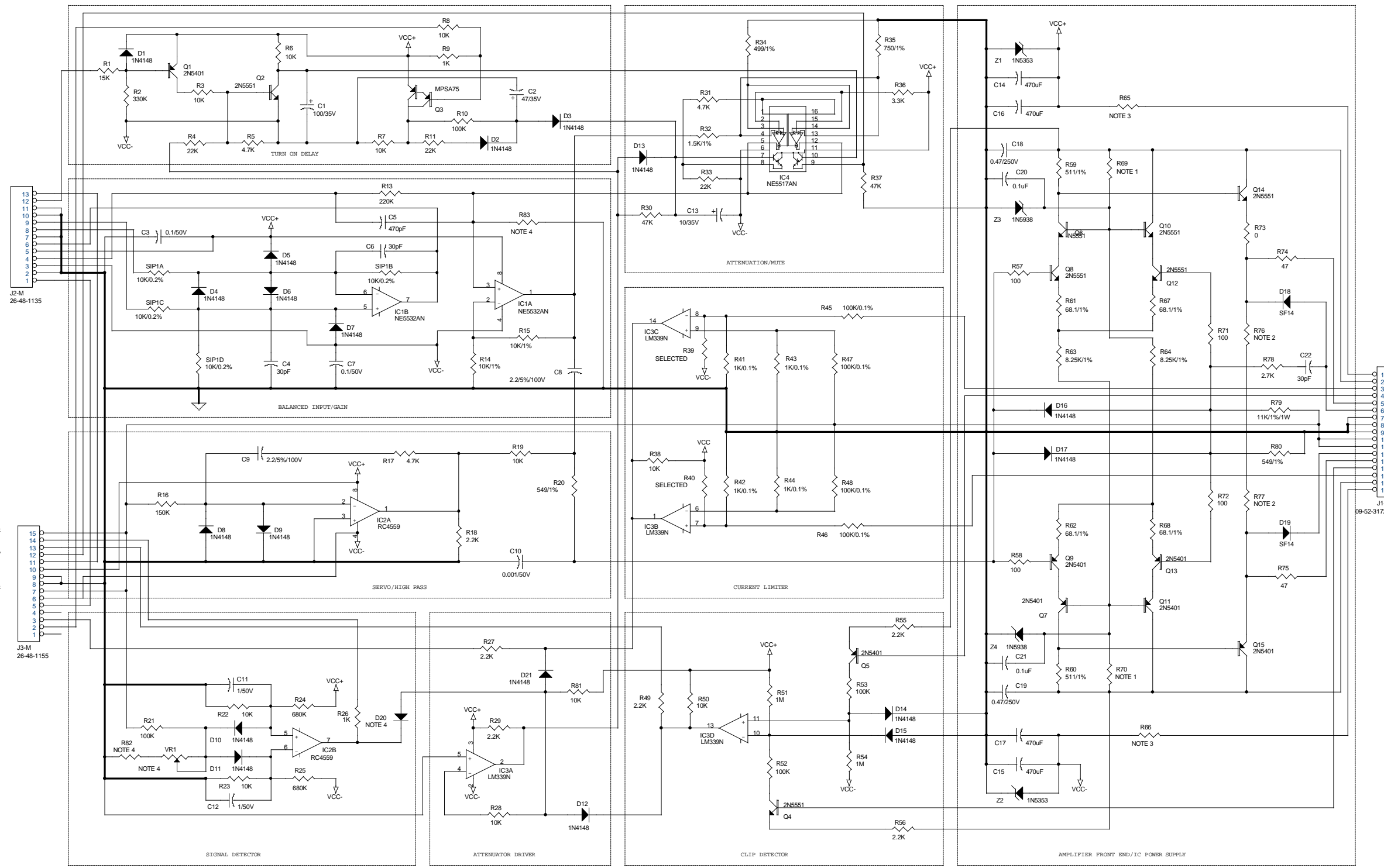
REV NOTES 7/15/93  
 (1) DELETE R12

CREST AUDIO INC.		
50 Florence Ave. Hawthorne, NJ 07506		
96	PRO-LINE PREAMP/FRONT END	
Size	Document Number	Rev
C	21C1124-02	02
Date	Wednesday, May 17, 2000	Sheet 1 of 1



44 V. OUT  
 SIGNAL CH. A  
 CLIP CH. A  
 CONTROL V. CH. A  
 LIMIT CH. A  
 SPKR. FALL CH. A  
 MUTE CH. A  
 TEMP SENSOR +  
 TEMP SENSOR OUT  
 TEMP SENSOR GND  
 GROUND  
 GROUND  
 TRANSFORMER TEMP  
 TRANSFORMER TEMP

27 V. IN  
 SIGNAL CH. B  
 CLIP CH. B  
 CONTROL V. CH. B  
 LIMIT CH. B  
 SPKR. FALL CH. B  
 MUTE CH. B  
 TEMP SENSOR +  
 TEMP SENSOR OUT  
 TEMP SENSOR GND.  
 GROUND  
 RELAY GROUND  
 RELAY GROUND  
 RELAY 1.3  
 RELAY 2.4



NOTE 1: 8.2K 2W ON MODELS 8001, 7001, CV601  
 6.8K 2W ON MODELS 6001, 4801  
 4.3K 2W ON MODEL 4601  
 5.6K 2W ON MODELS CC301/300  
 3.3K 2W ON MODELS CV301, CC151, 3301  
 NOTE 2: 27K 2W ON MODELS 8001, 7001, CV601  
 20K 2W ON MODELS 6001, 4801, CC301  
 16K 2W ON MODEL 4601  
 15K 2W ON MODELS CV301, CC151, 3301

NOTE 3: 750 10W ON MODELS 8001, CV601  
 680 10W ON MODEL 7001  
 620 10W ON MODEL 6001  
 560 10W ON MODELS 4801, MA5850  
 1.1K 10W ON MODEL 4601  
 560 10W ON MODELS CC301  
 1K 10W ON MODELS CV301, 3301  
 360 10W ON MODEL CC151

NOTE 4: R82, R83, D20, VR1 ARE USED ON MODEL MA5850 ONLY  
 NOTE 5: PRIOR TO 6-2-92 R65, R66 WERE 1K/10W ON MODEL CC151

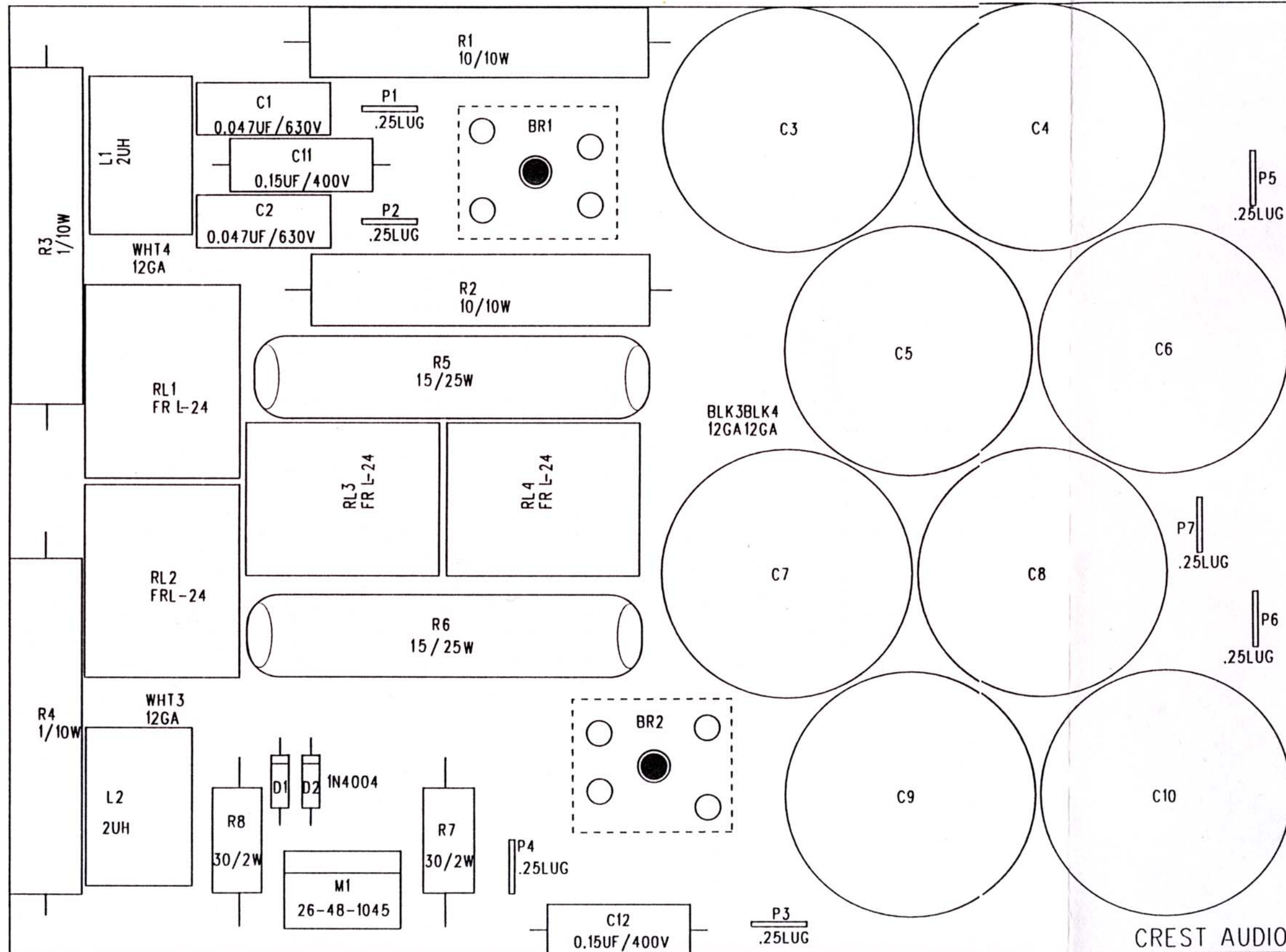
1.1K 10W ON MODEL 4601  
 560 10W ON MODELS CC301  
 1K 10W ON MODELS CV301, CC151, 3301  
 NOTE 4: R82, R83, D20, VR1 ARE USED ON MODEL MA5850 ONLY

REV NOTES 7/15/93  
 (1) DELETE R12

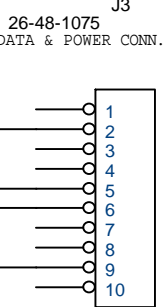
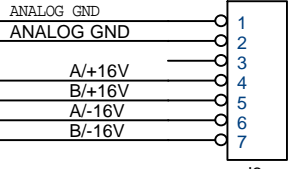
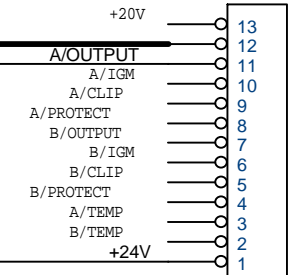
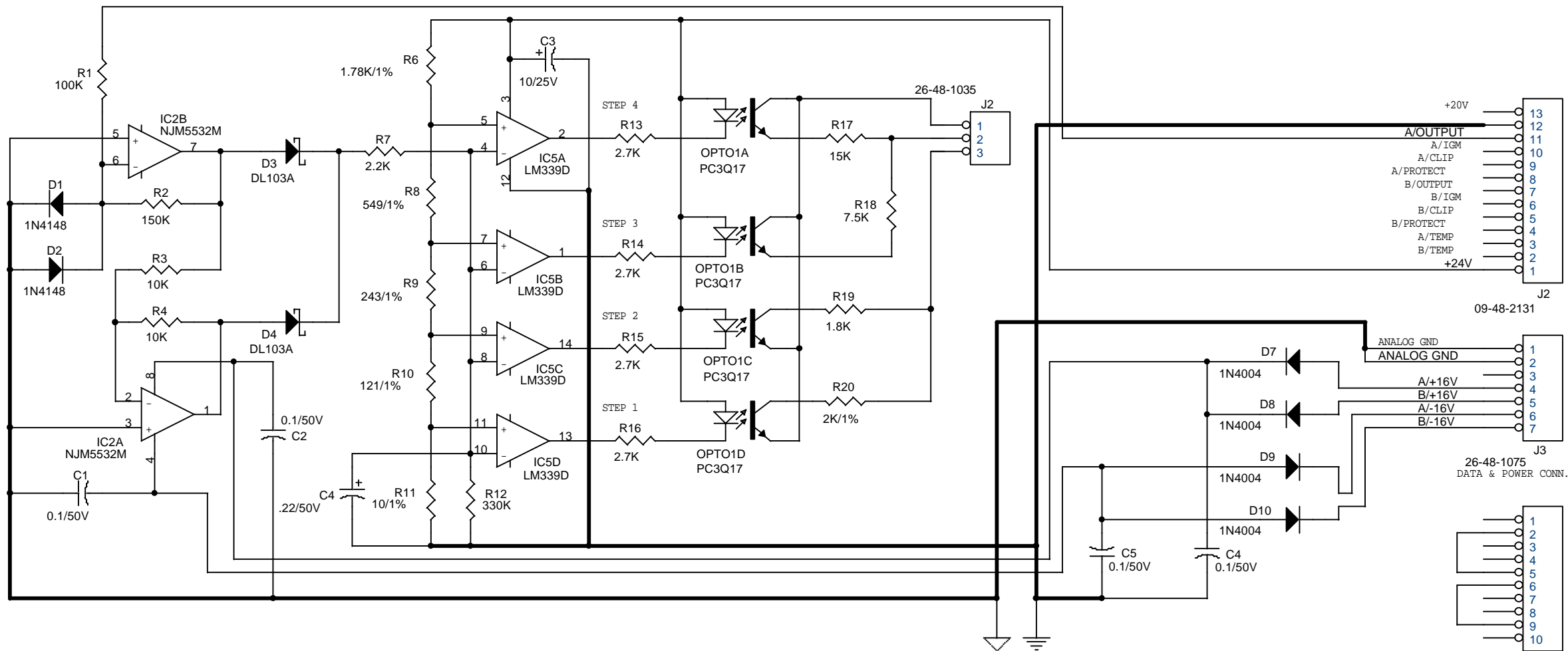
CREST AUDIO INC.		
50 Florence Ave. Hawthorne, NJ 07506		
96	PRO-LINE PREAMP/FRONT END	
Size	Document Number	Rev
C	21C1124-02	02
Date	Wednesday, May 17, 2000	Sheet 1 of 0



# COMPONENT LAYOUT #6 7001/6001 POWER SUPPLY PCB



NOTES: RL3, RL4, R5, R6 NOT USED ON 6001.



CHANNEL B SAME AS ABOVE